

*Godrej*

# VIROSHIELD

## USER MANUAL



Godrej & Boyce Mfg. Co. Ltd. - Appliance Division



Prolonged direct exposure to UVC can be harmful to humans,  
please follow all safety precautions mentioned in the User Guide.

# WARNINGS AND SAFETY PRECAUTIONS

Prolonged direct exposure to UVC can be harmful to humans, please follow all safety precautions mentioned in the User Guide.

- Always be reminded that the Godrej ViroShield must be used with caution and in accordance with the proper use as indicated in the instructions and / or User Manual which come together with the purchased product.
- The Godrej ViroShield should not be operated by children, or anyone below the age of 18.
- **Caution Note**-This UV-C product is not designed to be used on the skin, the eyes and any part of the body, among others. Inappropriate and improper use of the UV-C product could be dangerous and harmful. Godrej & Boyce Mfg. Co. Ltd. disclaims any and all liability for any damage arising from any inappropriate, improper or negligent use of this UV-C product.
- Avoid spilling any fluids on any part of Godrej ViroShield. If spills do occur, immediately disconnect Godrej ViroShield from the power source and contact Technical Support (Toll Free:18002095511) for guidance on cleaning Godrej ViroShield.
- Do not tamper with any of the safety precautions built into the device. Failure to comply may result in exposing skin to UV-C. Prolonged skin exposure may generate redness and an uncomfortable sunburn sensation. In case of exposure of skin or eyes to UV-C or any of the symptoms developing, please see your physician.
- Do not touch the door switch under any circumstances especially when the device is Powered ON.
- Do not remove the door gasket. Do not fiddle with the UV-C tubes.
- Non-protected eyes or skin should never be exposed directly to UV-C.
- Never bypass the door protection switch or use the device with a damaged front door. Never operate Godrej ViroShield if it has a damaged power cord, power supply or plug.
- Do not use any power extension cord to run Godrej ViroShield.
- Ultraviolet tubes/lamps contain mercury, and therefore, in case of accidental breakage ventilate the room and contact Godrej customer support (18002095511) immediately. Do not attempt to operate or repair or dismantle the product till the issue is rectified by an authorised Godrej personnel.
- All assembly, adjustment, modification, maintenance and/or repair should be performed by qualified personnel authorized by Godrej & Boyce Mfg. Co. Ltd.
- Only Godrej & Boyce Mfg. Co. Ltd. approved replacement parts should be used with maintaining the device.
- Do not remove any warnings, cautions, or descriptive labelling from the Godrej ViroShield.
- Device should not be used for sterilization of surgical tools or any medical equipment.
- Always power off the device before cleaning. An electrical shock could occur if the device is powered on during cleaning.
- Information provided herein or on the product label or packaging should not be considered as a substitute for advice from a healthcare professional.

# KNOW YOUR PRODUCT

Godrej Virosshield is a 30L UV-C based disinfecting system which disinfects against more than 99% COVID 19 virus, germs and other harmful micro-organisms in 2 to 6 minutes. It operates at ~ 254nm which is the optimal wave length for neutralising pathogens, viruses & bacteria including **SARS-COV-2** which is of the corona family of virus. It is suitable for disinfecting - Food Packages, Vegetables, Personal Items including wallets, mobiles, chains, watches, parcels, documents etc.

DO NOT use for medicines, Dry batteries or power banks.

It operates on 183-260 V AC main Supply and Works on Home Inverter.

For best results operate at an ambient temperature of 0°C- 45°C with 10-85% humidity.



**DISINFECTS AGAINST  
99%+ COVID 19  
VIRUSES**

Protects against virus,  
bacteria and harmful microbes



**LARGER CAPACITY**

Sanitise larger items,  
sanitise more items  
together



**360° UVC COVERAGE**

4 UVC Tubes with 6 side  
reflective interiors



**AUTO CUT-OFF**

Auto cut-off in case of  
accidental door opening



**100% UV LEAK PROOF  
CABINET**

No see through surface and  
magnetic door sealing  
with gasket

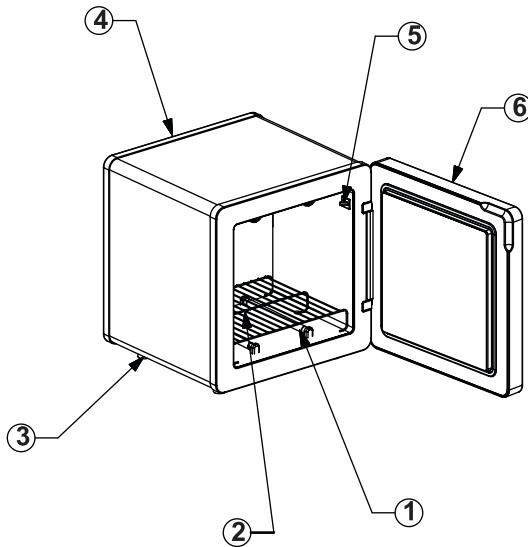


**1 YEAR  
COMPREHENSIVE  
WARRANTY**

# FREQUENTLY ASKED QUESTIONS (FAQs)

- **What all items can be disinfected in the UV-C system?**
  - **Food & beverages** such as Leafy Vegetables, Fruits, Packed Dairy Products, Beverages, Packaged Food; **Personal Products** such as Wallets, Hand Bags, Gold Ornaments, Watches, Sunglasses, Keys, Currency Notes; **Electronics** such as Laptops, Mobiles, Headphones; **Healthcare items** such as Masks, Hand Gloves, Thermometer; **Baby Products** such as Toys, Shoes; **Office items** such as Books, Documents, Parcels.
- **Is UV-C Disinfection system safe to use?**
  - The UV-C Disinfection system incorporates certain safety measures for human use. Godrej ViroShield comes with Auto Cut-off in case of accidental door opening, no see-through Surface and also comes with magnetic door sealing & gasket. This helps avoid any UV-C radiation exposure to the user.
- **Does UV-C disinfect the items from inside?**
  - The device is used for surface disinfection only. Only those parts get disinfected that are exposed to UV-C radiation.
- **Can water be purified using UV-C Disinfection system?**
  - The device is effective for surface disinfection of objects and not for treating drinking water.
- **Can the UV-C Disinfection system disinfect electronic items?**
  - Yes, the system can be used to disinfect electronic items such mobile, laptop, headphones etc. except Power banks and Dry Batteries.
- **For how long can I expose any item to UV radiations?**
  - Longer the exposer better is the disinfection. The timer is set for a maximum of up to 6 mins.
- **Can the product be used to sterilize medicines and medical equipment?**
  - The device should **NOT** be used for sterilization of medicines and surgical tools.

# PARTS NAME



Part No	Part Name	Qty.
1	UV Lamp	4
2	Bottom Shelf	1
3	Leg	4
4	On/Off Switch	1
5	Door Switch	1
6	Door	1



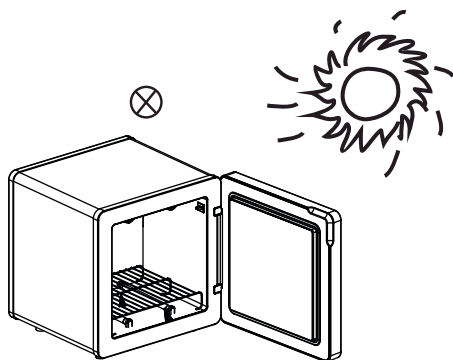
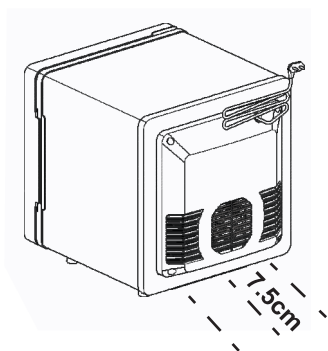
Prolonged direct exposure to UV-C can be harmful to humans, please follow all safety precautions mentioned in this User Guide.



DO NOT touch the door switch. Keep away from children.

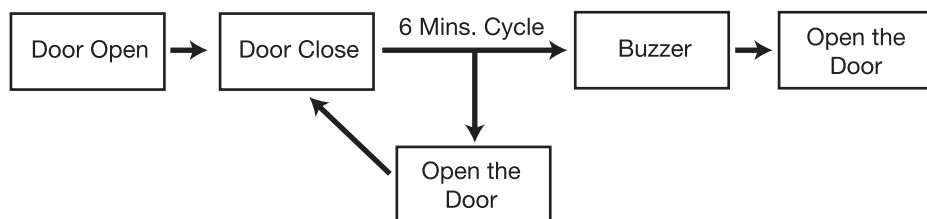
1. Take out unit from the carton (box) after removing shipping tapes.
2. Remove all packing material and accessories.
3. Examine the unit for any damage such as dents or broken door.  
Do not install if unit is damaged.
4. Remove any protective film found in or around the unit
5. Select a level surface that provides enough open space for the intake and/or outlet of vents at back side.
6. A minimum clearance of **3 inches** (7.5cm) is required between the unit and rear walls.
7. Do not remove the legs from the bottom of the unit.
8. Place the unit as far away from radio and TV as possible. Operation of unit may cause interference to your radio or TV reception.  
Plug unit into a standard household outlet - 240 V 5 amp. Be sure about proper voltage.
9. Do not expose the product to sunlight

**WARNING:** Do not install unit over other heat-producing appliance. If installed near or over a heat source, the unit could be damaged and the warranty would be void.



# OPERATING INSTRUCTIONS

1. Plug in the power cord and switch on the unit using on-off switch located at back side. (refer parts description)
2. Open the door and place items on the grill only,  
**Note:** Care to be taken while placing the articles – they should not fall onto the UV tube located below the wire shelf.
3. Maintain gap between articles, so that all sides are exposed to UV light.
4. Close the door of the unit for it to start working.
5. After 6mins the unit will stop and will sound a buzzer indicating completion of cycle.
6. Open the door and remove the disinfected items.  
**Note:** Maximum cycle time is 6 minutes. In case the door is opened in the middle, the cycle time will be reset to zero.



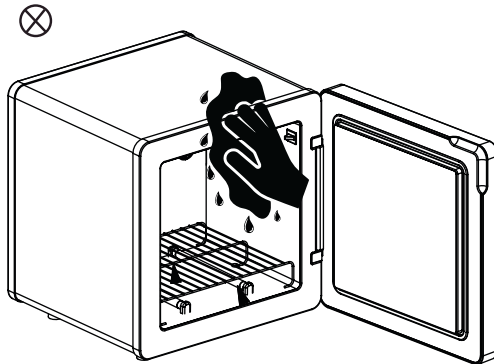
## **Note:**

For proper disinfections for bulky items, leafy vegetables, odd shaped items may need repositioning, so as to ensure that there is UV exposure at all surface. You can do this while unit is working by opening the door & repositioning the items on different surface & reclosing the door. The cycle will restart on its own (You may need to do this 2 or 3 times for vegetables & odd shape items. But do not open the door until a minimum exposure time of 30 to 50 secs is given on each surface). When not in use kindly switch off the supply from plug point.

## USAGE TIPS

### Cleaning & Maintainance:

1. Turn off the unit & remove the power plug from wall socket before cleaning.
2. Keep it in off condition for 20 mins before cleaning.
3. The outside surface should be clean with damp cloth , do not use abrasive cleaner.
4. To remove any dust, wipe the inside of the door and seal area including gasket with damp cloth
5. The Internal cabinet should be wiped carefully with damp cloth without touching the UV tubes.
6. UV tube should be cleaned carefully with hair brush.



DO NOT touch the door switch. Keep away from children.



## TROUBLESHOOTING

Not switching ON	Check the plug point switch
	Check the rear panel switch
UV not working	Door not closed completely

If problem persist call Customer Help Line Number: 1-800-209-5511

## TECHNICAL SPECIFICATION

<b>MODEL</b>	<b>VIROSHIELD</b>
Gross Capacity	30 L
Germicidal Lamp	4 Lamps
Outer Dimensions in mm (WxDxH)	436 x 473 x 460
Timer Setting	6 Minutes
Power	50 W
Rated Input Voltage	230V 50 Hz
Power Cable	2 Pin 5A 1.5 mts
Output	254-265 nm UVC light
Operating Temperature	0°C- 45°C, 10-85% humidity
Operating Voltage Range	183-260 V





# WARRANTY

Godrej & Boyce Mfg. Co. Ltd. warrants to the customer each of its VIROSHIELD to be free from defects in workmanship and material under normal user and service for a period of 1 year commencing from the date of purchase.

---

## Service Helpline

**EMAIL:** smartcare@godrej.com

**HELPLINE NUMBER:** 1-800-209-5511 (24x7)

### Protection of Environment:



"Protection of environment" is one of the core values of Godrej and we seek your co-operation to make sure that the product, packaging and plastic material is not disposed as unsorted municipal waste.

This symbol is known as the "Crossed-out Wheellie Bin Symbol". It means that the product should not be disposed of with your general house-hold waste.

It should be disposed of only through the company's collection points with special treatment so as to prevent any damage to the environment.

Please call: 1800 209 5511 for applicable buy back arrangement or visit: [www.godrejappliances.com/green-think](http://www.godrejappliances.com/green-think) for details about Godrej Appliances authorised collection points.

**Contact Details:** Godrej & Boyce Mfg. Co. Ltd (Appliance Division) Plant 11 Pirojshanagar, Vikhroli West, Mumbai-400079.

The Godrej logo, featuring the brand name in a stylized, cursive script font.