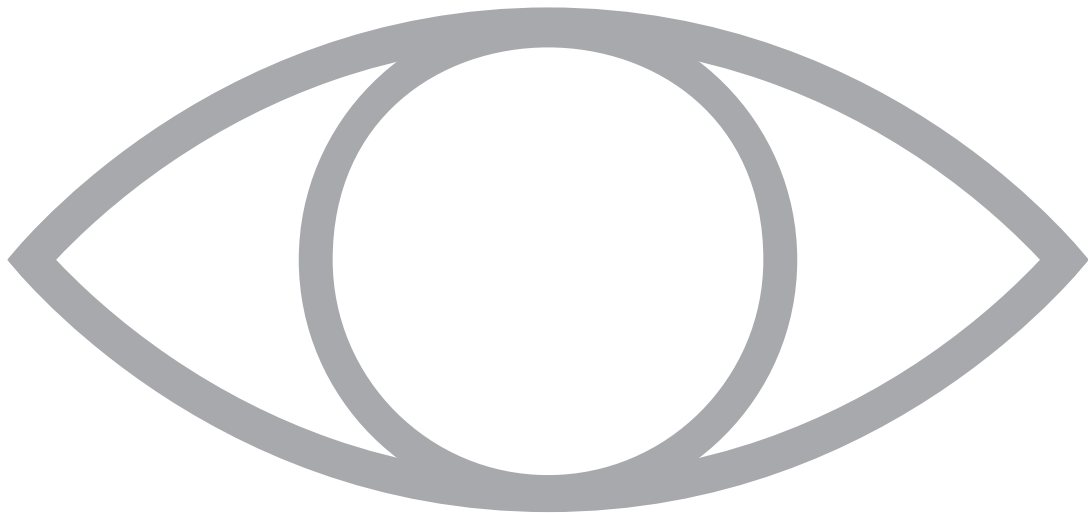


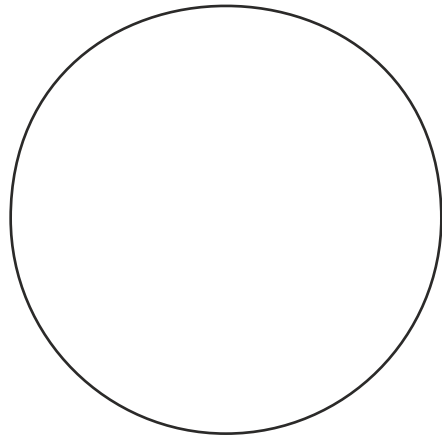
**SEE  
WHAT YOUR  
EYES MAY NOT  
SEE**



SeeThru

WIDE DYNAMIC RANGE OF CCTV & DVR

*Seeing is true believing*



SeeThru

WIDE DYNAMIC RANGE OF CCTV & DVR

*Seeing is true believing*

# SeeThru Eco



# SeeThru Lite



# SeeThru Prime



# SeeThru Elite

# Katview

CAMERA IMAGING TECHNOLOGY

The Seethru range of CCTV uses KATVIEW Camera Imaging Technology. It automatically adjusts to bright and dark environments to give a clear image even in low light conditions.



SeeThru

WIDE DYNAMIC RANGE OF CCTV & DVR

**Seeing is true believing**





### Camera Imaging Technology

The new range of CCTV cameras with their KATVIEW Camera Imaging Technology automatically controls the electronic shutter to capture a crystal clear image even in low light areas.



CAMERA WITHOUT KATVIEW



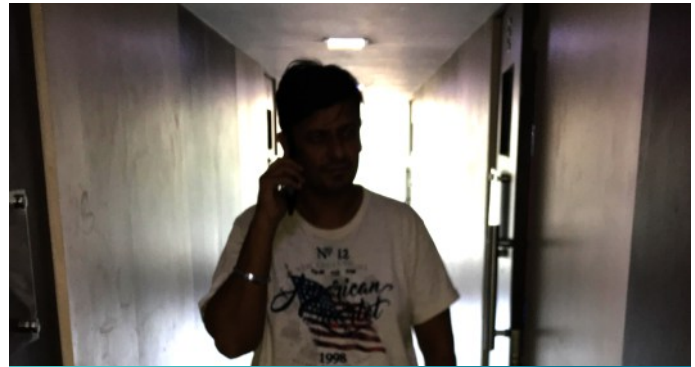
CAMERA WITH KATVIEW





### Smart WDR Function

The Smart WDR function guarantees clear quality images despite strong lighting and prevents generating images that are either too dark, or overly exposed.



SMART DWDR OFF



SMART DWDR ON



### Smart IR Function

Close-up shots often end up becoming over exposed. The Smart IR function of the camera adjusts the visibility of the object, depending on the requirement.



SMART IR OFF



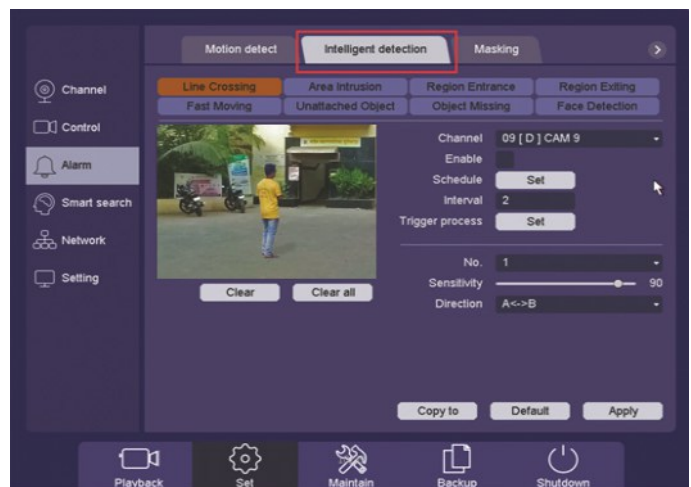
SMART IR ON





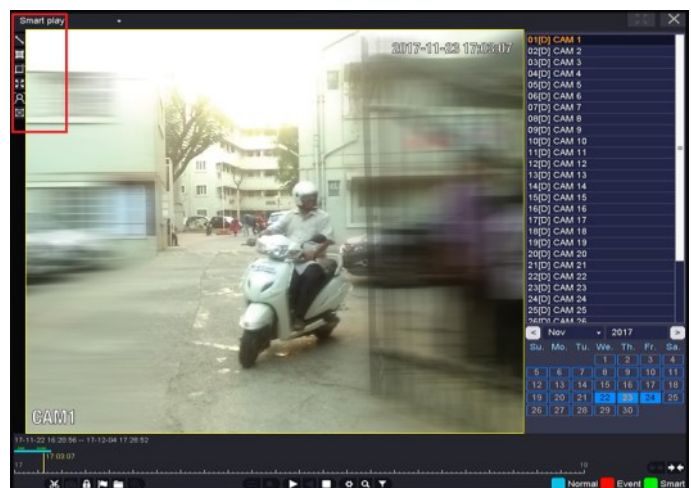
## Intelligent Detection

The Intelligent Detection feature provides the liberty of drawing a virtual line or a square on the picture. The end user can demark an area to identify theft or pilferage in case of an intrusion.



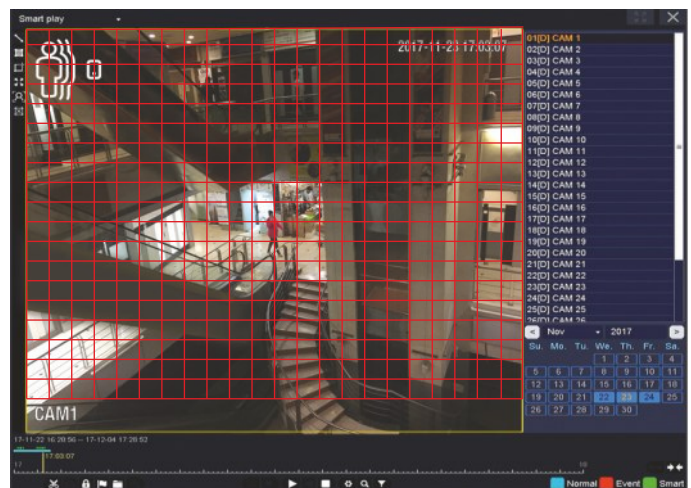
## Smart Playback Function

With the Smart Playback function, you can playback your desired video feed without going through all the video recordings which saves time and gives you the video that you desire instantly through these multiple options.



## Motion Detection

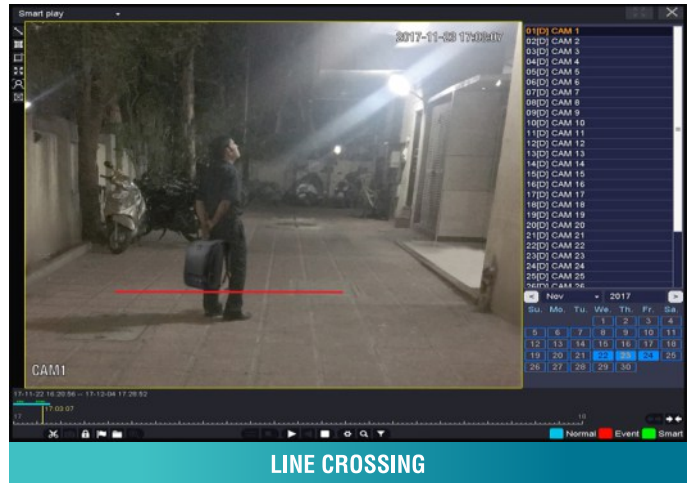
The Motion Detection feature gives the end user an alert notification if any motion is spotted in the virtually defined area, which helps them look for the specific video. A part of the screen or the whole screen can be defined.





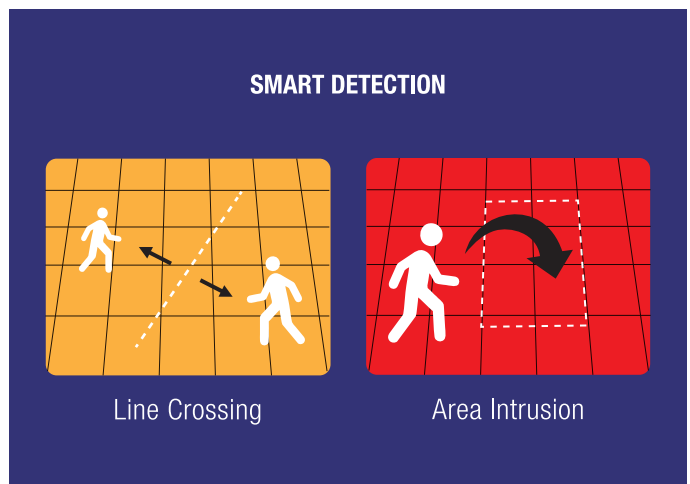
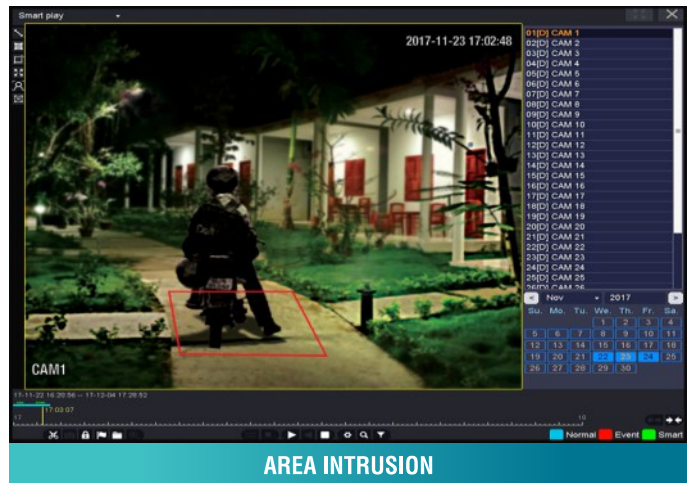
### Line Crossing

The virtual Smart Line Crossing feature lets the end user demark an area to identify theft or pilferage in case of an intrusion. Once the area has been demarked, an alert is sent every time a person or car crosses the after-defined virtual line which will help the end user save time that would otherwise go in searching the required video for viewing.



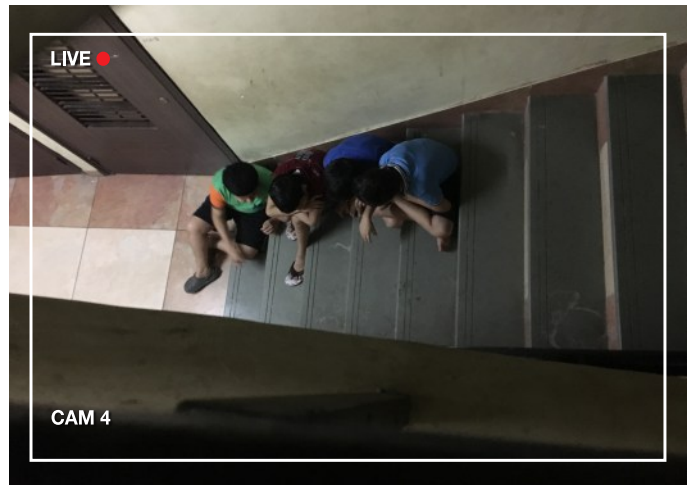
### Area Intrusion

As soon as someone is spotted loitering in the virtually defined area, you will receive an alert which will help you search for the required video.



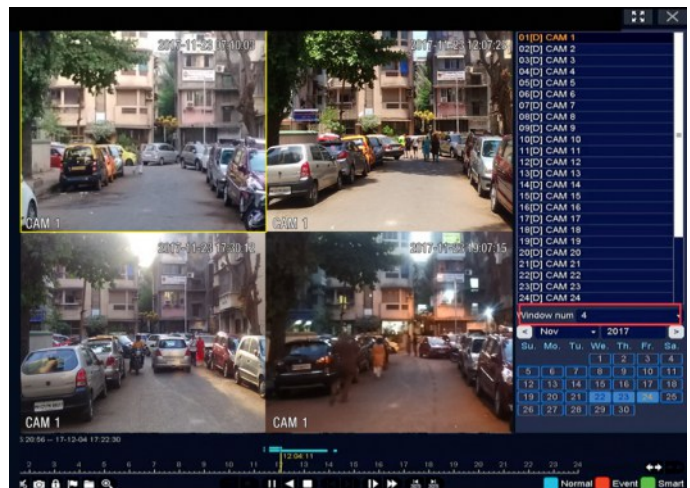
### Live Playback

One click playback feature gives you the option to instantly check the event that has just occurred.



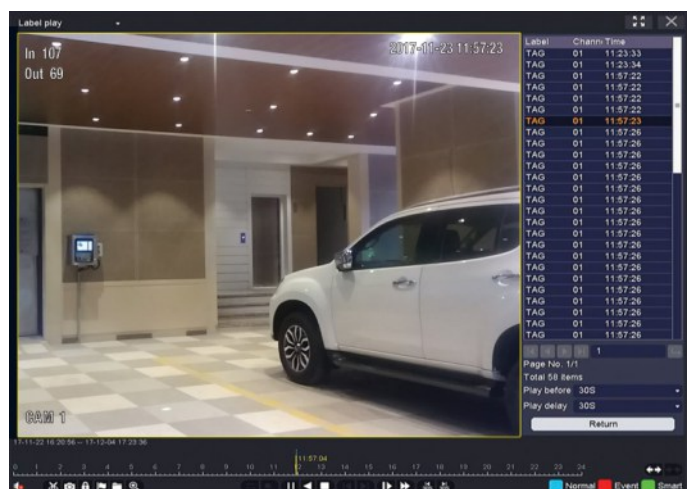
### Time Division Playback

You can choose to divide a certain video in as many number of windows you want to as per your convenience to improve efficiency.



### Label Playback

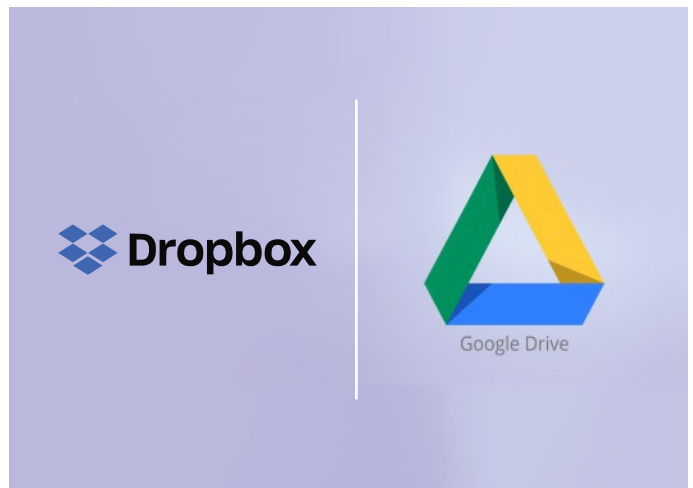
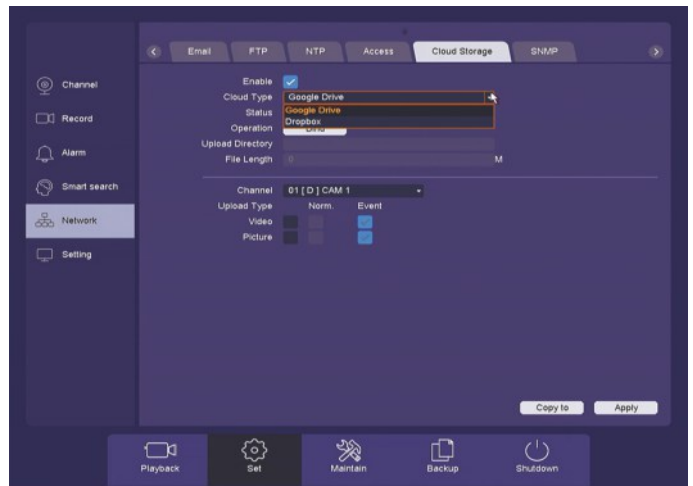
You can choose and set several labels (Tag) which you are interested in and play the video for certain time period before and after the label.





## Cloud Storage

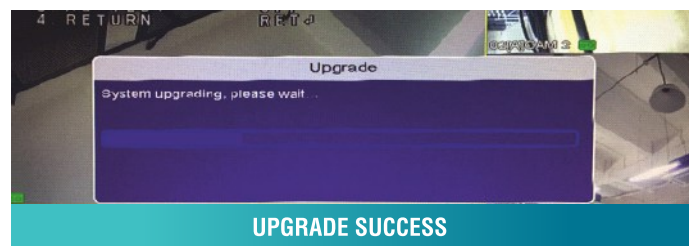
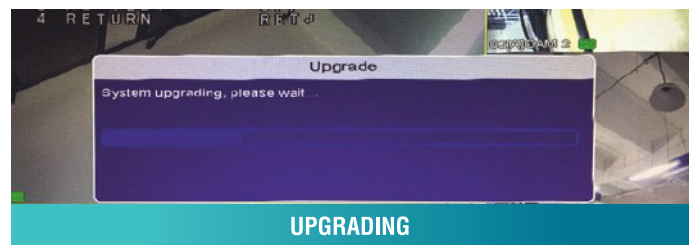
You can use Cloud Storage to upload videos and pictures to your Google Drive and the Dropbox. Cloud Storage helps you store important videos and pictures on the Cloud so that it becomes easier to keep a track of them.





## Firmware Upgradation

Any new Firmware can be uploaded on the Cloud server. If the device is connected to the internet, the DVR auto upgrades instantly when clicked on the upgrade button.

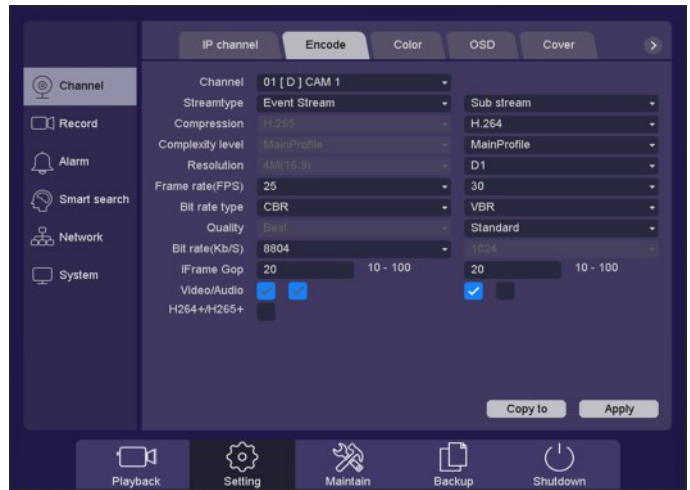






### Event Stream

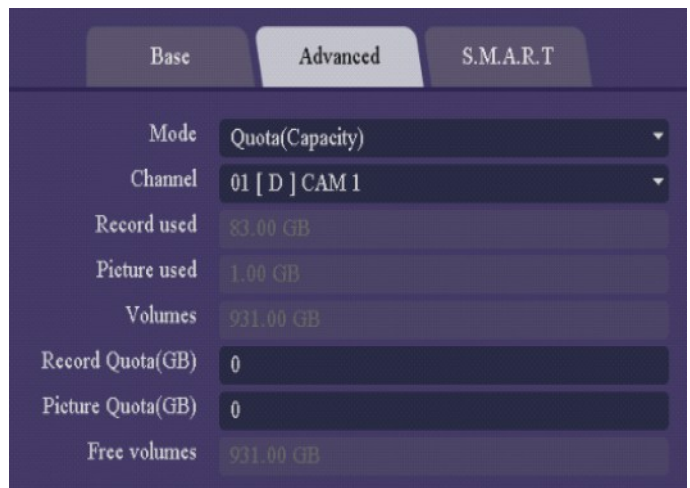
You can choose encoding settings separately for event recordings including the resolution/frames/bit rate.



### Quota Mode By Capacity

The Quota Mode by Capacity feature configures each channel with an allocated quota of HDDs to store the recorded files.

- There's no need to worry about the HDD number. All of them are treated as one volume.
- You can assign more quota for an HDD with higher importance. The HDD will assure that the channel has a video record of allocated quota and make sure it's not overwritten.





## Quota Mode By Time

Each channel can be configured with a certain number of days, which avoid overwriting of data.

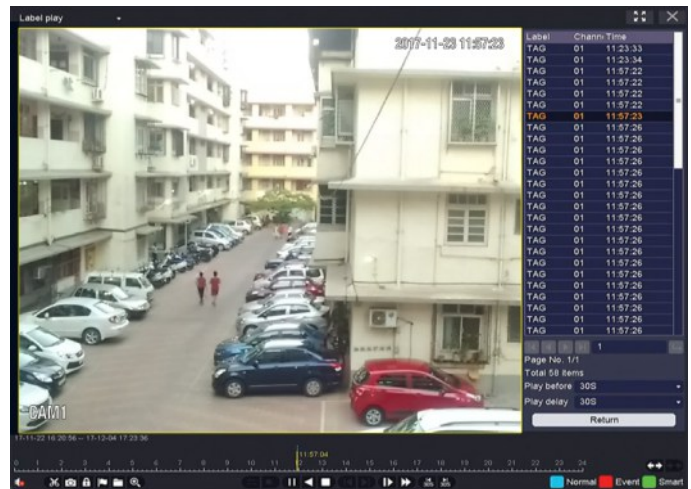
- While the quota is defined by time, the channels can be configured with certain days to assure the record not being overwritten.



## HDD S.M.A.R.T

There are two test types (brief and extended) for the HDD accurate estimation.

- The HDD S.M.A.R.T feature triggers a reminder to replace the HDD in time before its lifetime expires so that you can make sure the integrity of recorded data is intact.



SeeThru  
Eco



SeeThru  
Lite



Superior quality  
at affordable price



SeeThru  
Eco

SeeThru  
Eco

# SeeThru Eco



## Key features

- 720P, 1/4" CMOS Sensor
- AHD / TVI / CVI / CVBS Output
- 3.6mm Fixed Lens
- Housing Material: Plastic

## Features



IR-Cut Filter  
Removable



Back Light  
Compensation



Digital Noise  
Reduction



Cmos Scan

# STE-FD20IR3.6P-720P

## Camera

Image Sensor	1/4" CMOS Sensor
Signal System	NTSC/PAL
Effective Pixels	1280(H) x 720(V)
Electronic Shutter	AUTO/ 1/50 (1/60) - 1/50,000sec
Synchronization	Internal
Min. Illumination	0.01Lux
Video Frame Rate	PAL/NTSC: 25/30fps
Video Output	AHD / TVI / CVI / CVBS

## Camera Features

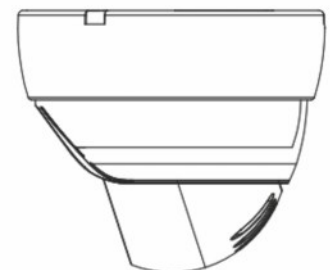
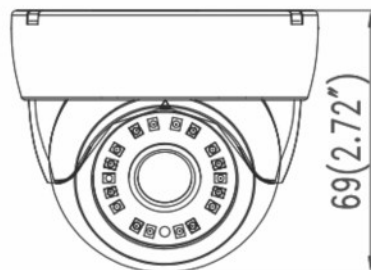
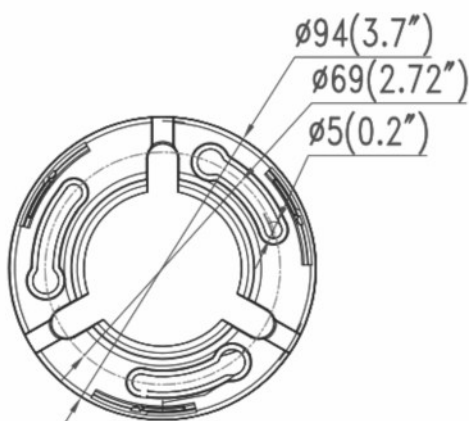
S/N Ratio	>41dB
Noise Reduction	2DNR
Day&Night	Auto
White Balance	Auto
AGC	Auto
IR LED	12PCS SMD IR
IR Range	Up to 20m

## Lens

Focal Length	3.6mm fixed lens
Lens Type	Fixed Iris
Mount Type	M12

## General

Casing	Plastic
Power Supply	DC12V(+/-10%)
Power Consumption	IR OFF:70mA / IR ON:190mA
Working Temperature / Humidity	-40~+60°C
Dimensions(WxDxH)	∅94x69(H)mm
Weight	250g



unit: mm (inch)

# SeeThru Eco



## Key features

- 720P, 1/4" CMOS Sensor
- AHD / TVI / CVI / CVBS Output
- 3.6mm Fixed Lens
- IP66
- Housing Material: Plastic

## Features



IR-Cut Filter  
Removable



Back Light  
Compensation



Digital Noise  
Reduction



Cmos Scan

# STE-FB20IR3.6P-720P

## Camera

Image Sensor	1/4" CMOS Sensor
Signal System	NTSC/PAL
Effective Pixels	1280(H) x 720(V)
Electronic Shutter	AUTO/ 1/50 (1/60) -1/50,000sec
Synchronization	Internal
Min. Illumination	0.01Lux
Video Frame Rate	PAL/NTSC: 25/30fps
Video Output	AHD / TVI / CVI / CVBS

## Camera Features

S/N Ratio	>41dB
Noise Reduction	2DNR
Day&Night	Auto
White Balance	Auto
AGC	Auto
IR LED	12PCS SMD IR
IR Range	Up to 20m

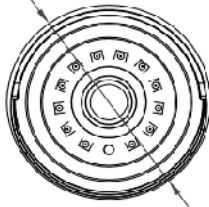
## Lens

Focal Length	3.6mm fixed lens
Lens Type	Fixed Iris
Mount Type	M12

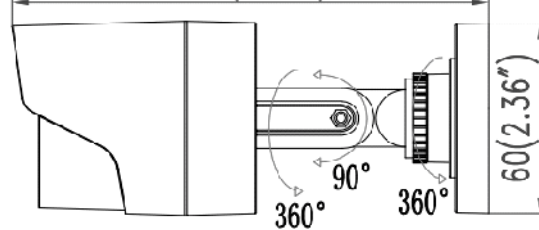
## General

IP Rating	IP66
Casing	Plastic
Power Supply	DC12V(+/-10%)
Power Consumption	IR OFF:70mA / IR ON:190mA
Working Temperature / Humidity	-40~+60°C
Dimensions(W×D×H)	∅61.5*147mm
Weight	300g

∅61.5(2.42")

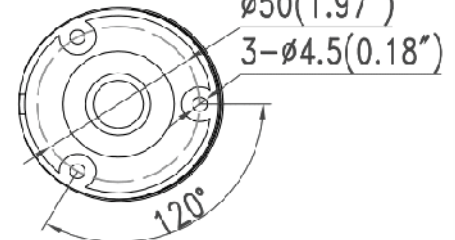


147(5.79")



∅50(1.97")

3-∅4.5(0.18")



unit: mm (inch)

# SeeThru Eco



## Key features

- 1080P, 1/2.7" CMOS Sensor
- AHD / TVI / CVI / CVBS Output
- 3.6mm Fixed Lens
- Housing Material: Plastic

## Features



IR-Cut Filter  
Removable



Back Light  
Compensation



Digital Noise  
Reduction



Cmos Scan

# STE-FD20IR3.6P-1080P

## Camera

Image Sensor	1/2.7" CMOS Sensor
Signal System	NTSC/PAL
Effective Pixels	1920(H) x 1080(V)
Electronic Shutter	AUTO/ 1/50 (1/60) -1/50,000sec
Synchronization	Internal
Min. Illumination	0.01Lux
Video Frame Rate	PAL/NTSC: 25/30fps
Video Output	AHD / TVI / CVI / CVBS

## Camera Features

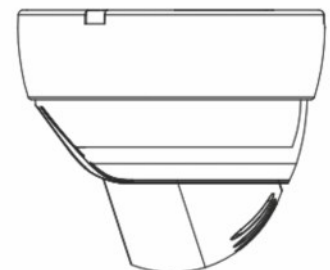
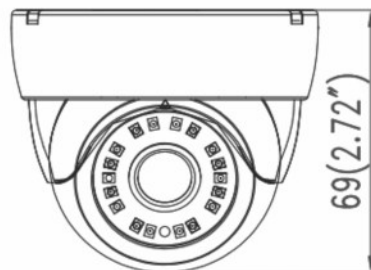
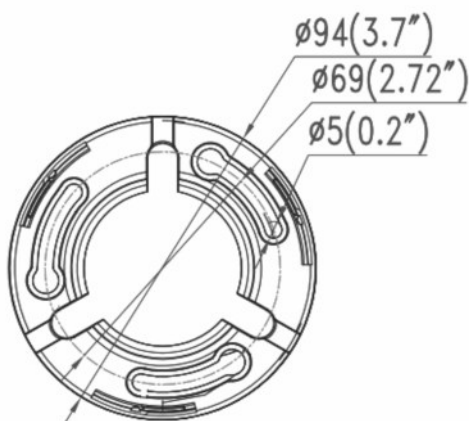
S/N Ratio	>41dB
Noise Reduction	2DNR
Day&Night	Auto
White Balance	Auto
AGC	Auto
IR LED	12PCS SMD IR
IR Range	Up to 20m

## Lens

Focal Length	3.6mm fixed lens
Lens Type	Fixed Iris
Mount Type	M12

## General

Casing	Plastic
Power Supply	DC12V(+/-10%)
Power Consumption	IR OFF:40mA / IR ON:160mA
Working Temperature / Humidity	-40~+60°C
Dimensions(WxDxH)	Ø61.5*147mm
Weight	250g



unit: mm (inch)



# SeeThru Eco



## Key features

- 1080P, 1/2.7" CMOS Sensor
- AHD / TVI / CVI / CVBS Output
- 3.6mm Fixed Lens
- IP66
- Housing Material: Plastic

## Features



IR-Cut Filter  
Removable



Back Light  
Compensation



Digital Noise  
Reduction



CMOS Scan

# STE-FB20IR3.6P-1080P

## Camera

Image Sensor	1/2.7" CMOS Sensor
Signal System	NTSC/PAL
Effective Pixels	1920(H) x 1080(V)
Electronic Shutter	AUTO/ 1/50 (1/60) -1/50,000sec
Synchronization	Internal
Min. Illumination	0.01Lux
Video Frame Rate	PAL/NTSC: 25/30fps
Video Output	AHD / TVI / CVI / CVBS

## Camera Features

S/N Ratio	>41dB
Noise Reduction	2DNR
Day&Night	Auto
White Balance	Auto
AGC	Auto
IR LED	12PCS SMD IR
IR Range	Up to 20m

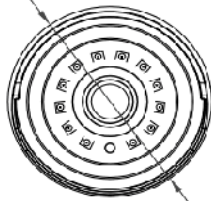
## Lens

Focal Length	3.6mm fixed lens
Lens Type	Fixed Iris
Mount Type	M12

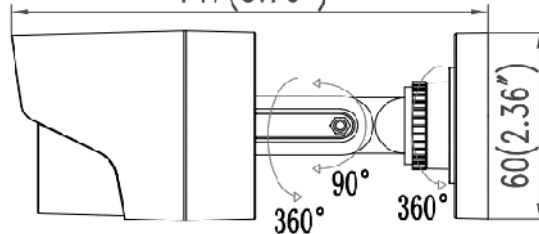
## General

IP Rating	IP66
Casing	Plastic
Power Supply	DC12V(+/-10%)
Power Consumption	IR OFF:40mA / IR ON:160mA
Working Temperature / Humidity	-40~+60°C
Dimensions(WxDxH)	∅ 94x69(H)mm
Weight	300g

∅61.5(2.42")

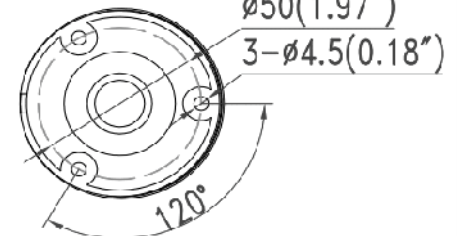


147(5.79")






∅50(1.97")

3-∅4.5(0.18")



unit: mm (inch)

# SeeThru Eco

Model	STE-UR4S1-1080P	STE-UR8S1-1080P	STE-UR16S1-1080P
Picture			
Chipset	Hi3520Dv200	Hi3520Dv300	Hi3521A
<b>Video &amp; Audio Input</b>			
Video Input	4ch BNC interface(1.0Vp-p, 75 Ω)	8ch BNC interface(1.0Vp-p, 75 Ω)	16ch BNC interface(1.0Vp-p, 75 Ω)
TVI	1080P, 720P		
CVI	1080P, 720P		
AHD	1080P, 720P		
IPC	Up to 6ch 2MP	Up to 8ch 2MP	Up to 16ch 2MP
CVBS	Support	Support	Support
Audio Input	1-ch, RCA(2.0 Vp-p, 1 KΩ)	1-ch, RCA(2.0 Vp-p, 1 KΩ)	1-ch, RCA (2.0 Vp-p, 1 KΩ)
<b>Video &amp; Audio Output</b>			
HDMI	1ch, resolution: 1920×1080/60Hz, 1280×1024/60Hz, 1280×720/60Hz, 1024×768/60Hz		
VGA	1ch, resolution: 1920×1080/60Hz, 1280×1024/60Hz, 1280×720/60Hz, 1024×768/60Hz		
Audio Output	1-ch, RCA (Linear, 1kΩ)		
<b>Display</b>			
Multi-screen display	4CH: 1/4/6	8CH: 1/4/6/8	16CH: 1/4/6/8/9/16
<b>Recording</b>			
Compression	H.264	H.264	H.264
Resolution	"4ch 1080P Lite@25fps; 960H1/D1/CIF real time"	"8ch 1080P Lite@25fps; 960H1/D1/CIF real time"	"16ch 1080P Lite@12fps; 960H1/D1/CIF real time"
Frame Rate(fps)	1fps-25fps	1fps-25fps	1fps-12fps
Video Bit Rate	11Kbps-4096Kbps		11Kbps-2291Kbps
Record Mode	Manual, Schedule, Alarm		
Audio Compression	G.711a		
Audio Bit Rate	64Kbps		
<b>Playback &amp; Backup</b>			
Playback Mode	Normal/Time Division/Label/Event/Picture Playback		
Playback Rate	4ch Playback	4ch Playback	16ch Playback
Backup Mode	USB Device/Network		
<b>Advanced Features</b>			
Intelligent Detection	1CH	2CH	2CH
Smart Playback	Motion Detection	Motion Detection	Motion Detection
Cloud Storage	Support	Support	Support
Cloud Upgrade	Support	Support	Support
<b>Network</b>			
Ethernet	1 RJ-45 10 /100 Mbps self-adaptive Ethernet interface		
Network Function	HTTP, TCP/IP, IPv4, UPNP,RTSP, UDP, SMTP, NTP, DHCP, DNS, IP Filter, DDNS, FTP, P2P, ONVIF 2.4		
Max. User Access	32 users		
Smart Phone	IOS(iPhone, iPad), Android(Phone, Pad)		
<b>Hard Disk</b>			
SATA	1 HDD	1 HDD	1 HDD
Capacity	Up to 6TB capacity for each HDD		Up to 8TB capacity for each HDD
<b>External Interface</b>			
Two way talk	1-ch, multiplex with Audio Input(RCA)		
USB Interface	2 × USB 2.0		
<b>General</b>			
Power Supply	DC12V, 1.5A	DC12V, 1.5A	DC12V,1.5A
Power Consumption	≤10W(without HDD)		
Working Environment	-10°C~+55°C / 10%~90%RH		
Dimension (W×D×H)	196 x 196 x 48mm	196 x 196 x 48mm	250 x 230 x 45mm
Weight(withOut HDD)	0.87kg	0.87kg	1.5kg

## Key features

- Support AHD/TVI/CVI/CVBS/IP Cameras
- Support AHD/TVI/CVI cameras up to 2MP
- Support Time Division & Instant Playback
- Support Google Drive & Dropbox Cloud storage

A wide range of weather resistant CCTV cameras



SeeThru  
Life

SeeThru  
Life



# SeeThru Life



## Key features

- 720P, 1/4" CMOS Sensor
- AHD / TVI / CVI / CVBS Output
- 3.6mm Fixed Lens
- IP66
- Housing Material: Metal

## Features



IR-Cut Filter  
Removable



Back Light  
Compensation



Katview



Smart IR



Digital Noise  
Reduction



Cmos Scan

## Accessories



Deep base

# STL-FB20IR3.6M-720P

## Camera

Image Sensor  
Signal System  
Effective Pixels  
Electronic Shutter  
Synchronization  
Min. Illumination  
Video Frame Rate  
Video Output

1/4" CMOS Sensor  
NTSC/PAL  
1280(H) x 720(V)  
AUTO/ 1/50 (1/60) - 1/50,000sec  
Internal  
0.01Lux  
PAL/NTSC:25/30fps  
AHD / TVI / CVI / CVBS

## Camera Features

S/N Ratio  
Noise Reduction  
Day&Night  
White Balance  
AGC  
IR LED  
IR Range

>41dB  
2DNR  
Auto  
Auto  
Auto  
12pcs SMD IR  
Up to 20m

## Lens

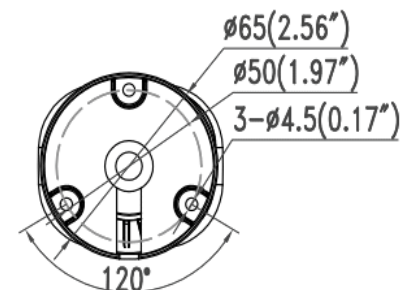
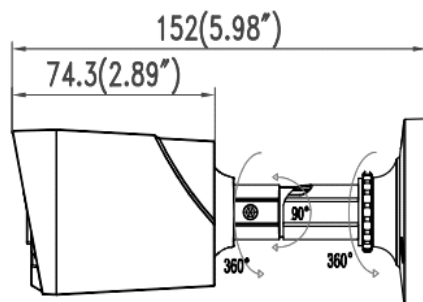
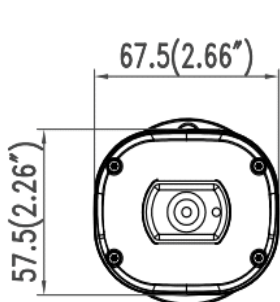
Focal Length  
Lens Type  
Mount Type

3.6mm fixed lens  
Fixed Iris  
M12

## General

IP Rating  
Casing  
Power Supply  
Power Consumption  
Working Temperature / Humidity  
Dimensions(W×D×H)  
Weight

IP66  
Metal  
DC12V(+/-10%)  
IR OFF:40mA / IR ON:270mA  
-40~+60°C  
152\*67.5\*57.5mm  
365g



unit: mm (inch)

# SeeThru Lite



## Key features

- 720P, 1/4" CMOS Sensor
- AHD / TVI / CVI / CVBS Output
- 3.6mm Fixed Lens
- IP66
- Housing Material: Metal

## Features



IR-Cut Filter  
Removable



Back Light  
Compensation



Katview



Smart IR



Digital Noise  
Reduction



Cmos Scan

## Accessories



Deep base

# STL-FD20IR3.6M-720P

## Camera

Image Sensor	1/4" CMOS Sensor
Signal System	NTSC/PAL
Effective Pixels	1280(H) x 720(V)
Electronic Shutter	AUTO/ 1/50 (1/60) -1/50,000sec
Synchronization	Internal
Min. Illumination	0.01Lux
Video Frame Rate	PAL/NTSC:25/30fps
Video Output	AHD / TVI / CVI / CVBS

## Camera Features

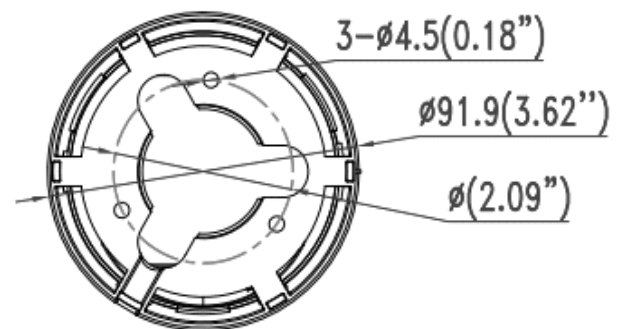
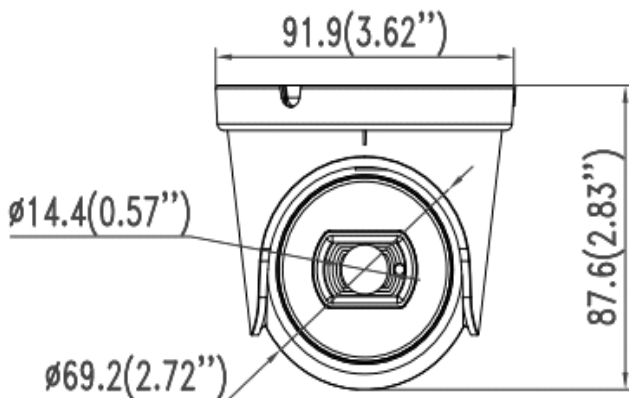
S/N Ratio	>41dB
Noise Reduction	2DNR
Day&Night	Auto
White Balance	Auto
AGC	Auto
IR LED	12pcs SMD IR
IR Range	Up to 20m

## Lens

Focal Length	3.6mm fixed lens
Lens Type	Fixed Iris
Mount Type	M12

## General

IP Rating	IP66
Casing	Metal
Power Supply	DC12V(+/-10%)
Power Consumption	IR OFF:40mA / IR ON:270mA
Working Temperature / Humidity	-40~+60°C
Dimensions(WxDxH)	∅91.9*87.6mm
Weight	330g



unit: mm (inch)

# SeeThru Lite



## Key features

- 720P, 1/4" CMOS Sensor
- AHD / TVI / CVI / CVBS Output
- 3.6mm Fixed Lens
- IP66
- Housing Material: Metal

## Features



IR-Cut Filter  
Removable



Back Light  
Compensation



Katview



Smart IR



Digital Noise  
Reduction



Cmos Scan

## Accessories



Deep base

# STL-FD20EX6-720P

## Camera

Image Sensor	1/4" CMOS Sensor
Signal System	NTSC/PAL
Effective Pixels	1280(H) x 720(V)
Electronic Shutter	AUTO/ 1/50 (1/60) -1/50,000sec
Synchronization	Internal
Min. Illumination	0.01Lux
Video Frame Rate	PAL/NTSC:25/30fps
Video Output	AHD / TVI / CVI / CVBS

## Camera Features

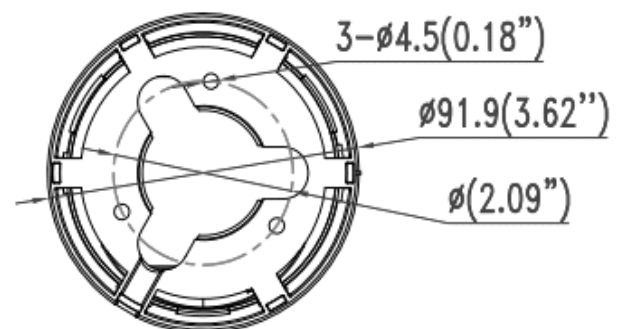
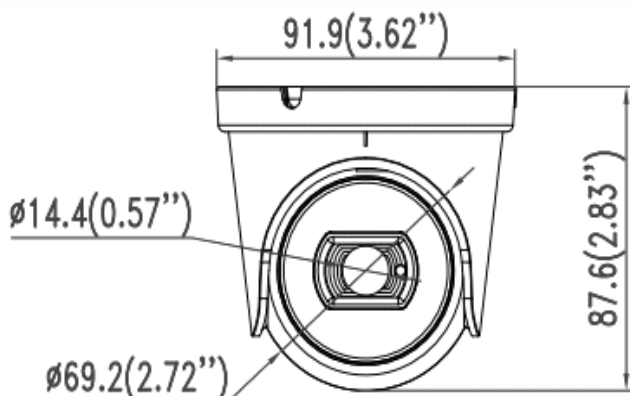
S/N Ratio	>41dB
Noise Reduction	2DNR
Day&Night	Auto
White Balance	Auto
AGC	Auto
IR LED	18pcs SMD IR
IR Range	Up to 20m

## Lens

Focal Length	6mm fixed lens
Lens Type	Fixed Iris
Mount Type	M12

## General

IP Rating	IP66
Casing	Metal
Power Supply	DC12V(+/-10%)
Power Consumption	IR OFF:40mA / IR ON:270mA
Working Temperature / Humidity	-40~+60°C
Dimensions(WxDxH)	∅91.9*87.6mm
Weight	330g



unit: mm (inch)

# SeeThru Lite



## Key features

- 720P, 1/4" CMOS Sensor
- AHD / TVI / CVI / CVBS Output
- 3.6mm Fixed Lens
- IP66
- Housing Material: Metal

## Features



IR-Cut Filter  
Removable



Back Light  
Compensation



Katview



Smart IR



Digital Noise  
Reduction



Cmos Scan

# STL-FD20EX12-720P

## Camera

Image Sensor	1/4" CMOS Sensor
Signal System	NTSC/PAL
Effective Pixels	1280(H) x 720(V)
Electronic Shutter	AUTO/ 1/50 (1/60) -1/50,000sec
Synchronization	Internal
Min. Illumination	0.01Lux
Video Frame Rate	PAL/NTSC:25/30fps
Video Output	AHD / TVI / CVI / CVBS

## Camera Features

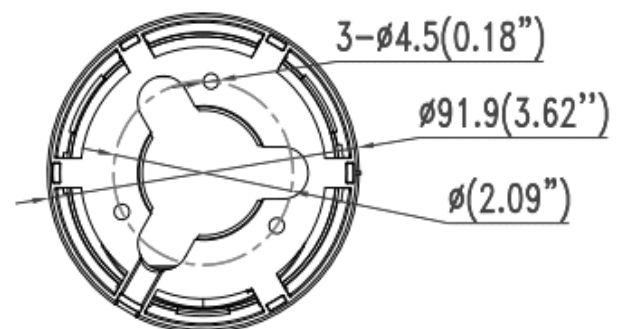
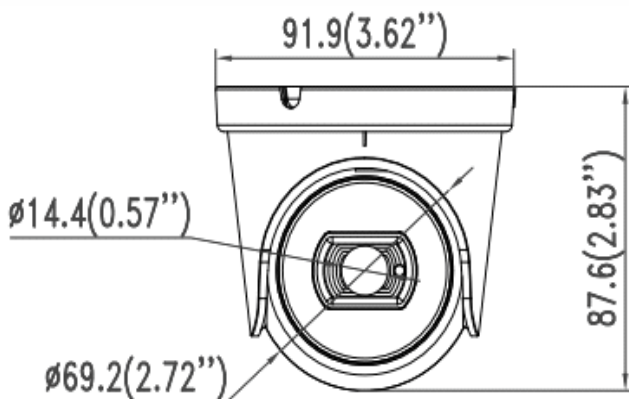
S/N Ratio	>41dB
Noise Reduction	2DNR
Day&Night	Auto
White Balance	Auto
AGC	Auto
IR LED	18pcs SMD IR
IR Range	Up to 40m

## Lens

Focal Length	12mm fixed lens
Lens Type	Fixed Iris
Mount Type	M12

## General

IP Rating	IP66
Casing	Metal
Power Supply	DC12V(+/-10%)
Power Consumption	IR OFF:40mA / IR ON:320mA
Working Temperature / Humidity	-40~+60°C
Dimensions(WxDxH)	Ø91.9*87.6mm
Weight	330g



unit: mm (inch)

# SeeThru Life



## Key features

- 720P, 1/4" CMOS Sensor
- AHD / TVI / CVI / CVBS Output
- 6mm Fixed Lens
- IP66
- Housing Material: Metal

## Features



IR-Cut Filter  
Removable



Back Light  
Compensation



Katview



Smart IR



Digital Noise  
Reduction



Cmos Scan

# STL-FB20EX6-720P

## Camera

Image Sensor	1/4" CMOS Sensor
Signal System	NTSC/PAL
Effective Pixels	1280(H) x 720(V)
Electronic Shutter	AUTO
Synchronization	External
Min. Illumination	0.01Lux
Video Frame Rate	PAL/NTSC:25/30fps
Video Output	AHD / TVI / CVI / CVBS

## Camera Features

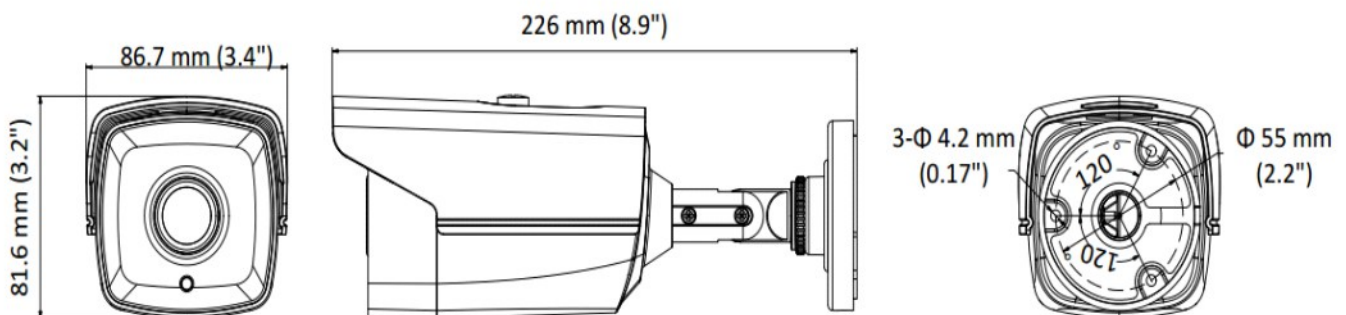
S/N Ratio	>41dB
Noise Reduction	2DNR
Day&Night	Auto
White Balance	Auto/Manual
AGC	Auto
IR LED	2pcs ARRAY LED
IR Range	Up to 20m

## Lens

Focal Length	6mm fixed lens
Lens Type	Fixed Iris
Mount Type	M12

## General

IP Rating	IP66
Casing	Metal
Power Supply	DC12V(+/-10%)
Power Consumption	IR OFF:40mA / IR ON:590mA
Working Temperature / Humidity	-40~+60°C
Dimensions(W×D×H)	226*86.7*81.6mm
Weight	850g



unit: mm (inch)

# SeeThru Life



## Key features

- 720P, 1/4" CMOS Sensor
- AHD / TVI / CVI / CVBS Output
- 12mm Fixed Lens
- IP66
- Housing Material: Metal

## Features



IR-Cut Filter  
Removable



Back Light  
Compensation



Katview



Smart IR



Digital Noise  
Reduction



Cmos Scan

# STL-FB20EX12-720P

## Camera

Image Sensor  
Signal System  
Effective Pixels  
Electronic Shutter  
Synchronization  
Min. Illumination  
Video Frame Rate  
Video Output

1/4" CMOS Sensor  
NTSC/PAL  
1280(H) x 720(V)  
AUTO  
External  
0.01Lux  
PAL/NTSC:25/30fps  
AHD / TVI / CVI / CVBS

## Camera Features

S/N Ratio  
Noise Reduction  
Day&Night  
White Balance  
AGC  
IR LED  
IR Range

>41dB  
2DNR  
Auto  
Auto/Manual  
Auto  
2pcs ARRAY LED  
Up to 40m

## Lens

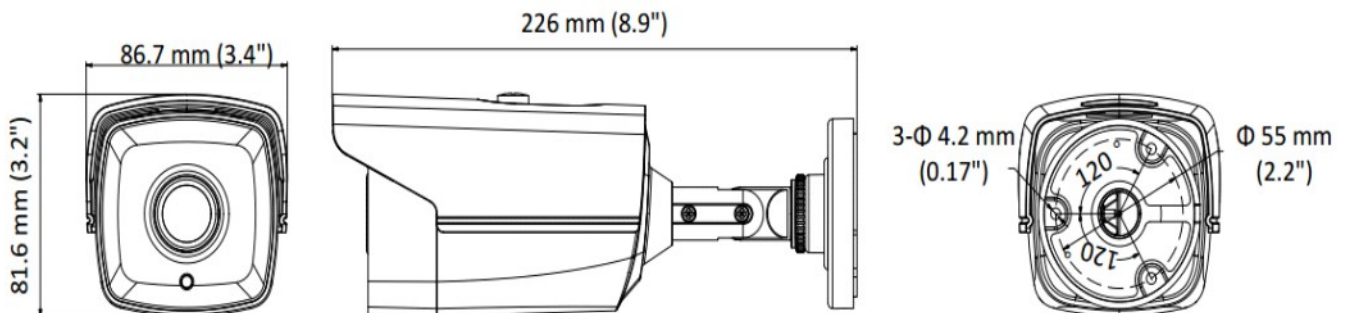
Focal Length  
Lens Type  
Mount Type

12mm fixed lens  
Fixed Iris  
M12

## General

IP Rating  
Casing  
Power Supply  
Power Consumption  
Working Temperature / Humidity  
Dimensions(W×D×H)  
Weight

IP66  
Metal  
DC12V(+/-10%)  
IR OFF:40mA / IR ON:590mA  
-40~+60°C  
226\*86.7\*81.6mm  
850g



unit: mm (inch)



# SeeThru Life



## Key features

- 720P, 1/4" CMOS Sensor
- AHD / TVI / CVI / CVBS Output
- 16mm Fixed Lens
- IP66
- Housing Material: Metal

## Features



IR-Cut Filter  
Removable



Back Light  
Compensation



Katview



Smart IR



Digital Noise  
Reduction



Cmos Scan

# STL-FB20EX16-720P

## Camera

Image Sensor  
Signal System  
Effective Pixels  
Electronic Shutter  
Synchronization  
Min. Illumination  
Video Frame Rate  
Video Output

1/4" CMOS Sensor  
NTSC/PAL  
1280(H) x 720(V)  
AUTO/ 1/50 (1/60) -1/50,000sec  
External  
0.01Lux  
PAL/NTSC:25/30fps  
AHD / TVI / CVI / CVBS

## Camera Features

S/N Ratio  
Noise Reduction  
Day&Night  
White Balance  
AGC  
IR LED  
IR Range

>41dB  
2DNR  
Auto  
Auto/Manual  
Auto  
4pcs ARRAY LED  
Up to 80m

## Lens

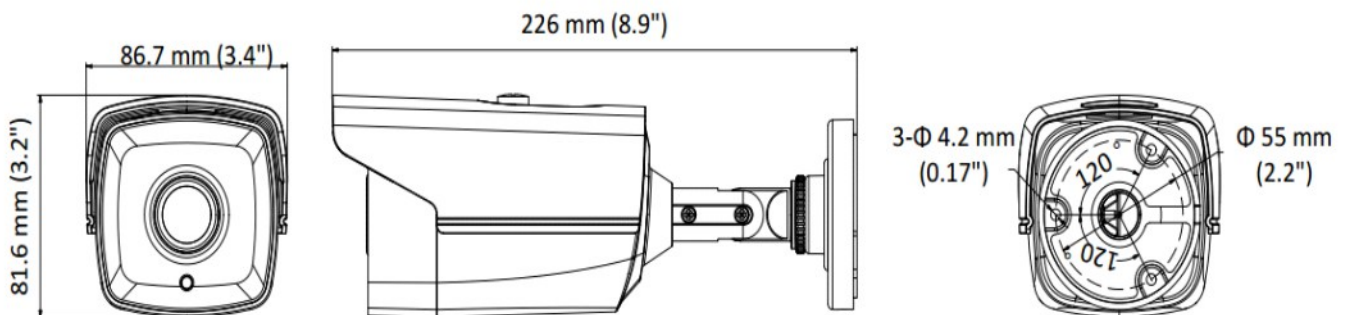
Focal Length  
Lens Type  
Mount Type

16mm fixed lens  
Fixed Iris  
M12

## General

IP Rating  
Casing  
Power Supply  
Power Consumption  
Working Temperature / Humidity  
Dimensions(W×D×H)  
Weight

IP66  
Metal  
DC12V(+/-10%)  
IR OFF:40mA / IR ON:590mA  
-40~+60°C  
226\*86.7\*81.6mm  
850g



unit: mm (inch)

# SeeThru Lite



## Key features

- 720P, 1/4" CMOS Sensor
- AHD / TVI / CVI / CVBS Output
- 2.8-12mm Manual Zoom Lens
- IP66
- Housing Material: Metal

## Features



IR-Cut Filter  
Removable



Back Light  
Compensation



Katview



Smart IR



Digital Noise  
Reduction



Cmos Scan



On-screen  
Display

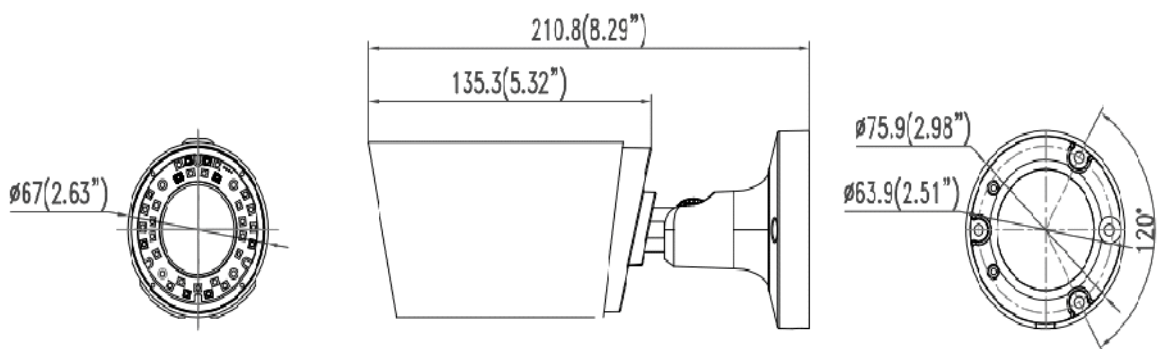
## Accessories



Deep base



Deep base



unit: mm (inch)

# STL-VB30IR-720P

## Camera

Image Sensor  
Signal System  
Effective Pixels  
Electronic Shutter  
Synchronization  
Min. Illumination  
Video Frame Rate  
Video Output

1/4" CMOS Sensor  
NTSC/PAL  
1280(H) x 720(V)  
AUTO  
External  
0.01Lux  
PAL/NTSC:25/30fps  
AHD / TVI / CVI / CVBS

## Camera Features

S/N Ratio  
Noise Reduction  
Day&Night  
White Balance  
OSD  
AGC  
IR LED  
IR Range

>41dB  
2DNR  
Color / B&W/ AUTO / EXT  
Auto/Manual  
English / Chinese / Spanish / Russian / Portuguese  
Auto  
30pcs SMD LED  
Up to 30m

## Lens

Focal Length  
Angle of View  
Lens Type  
Mount Type

2.8-12mm Manual Zoom Lens  
H: 90°~25°  
Fixed Iris  
Φ14

## General

IP Rating  
Casing  
Power Supply  
Power Consumption  
Working Temperature / Humidity  
Dimensions(W×D×H)  
Weight

IP66  
Metal  
DC12V(+/-10%)  
IR OFF:40mA / IR ON:380mA  
-40~+60°C  
Ø67X210.8mm  
780g



# SeeThru Lite



## Key features

- 720P, 1/4" CMOS Sensor
- AHD / TVI / CVI / CVBS Output
- 2.8-12mm Manual Zoom Lens
- IP66
- Housing Material: Metal

## Features



IR-Cut Filter  
Removable



Back Light  
Compensation



Katview



Smart IR



Digital Noise  
Reduction



CMOS Scan

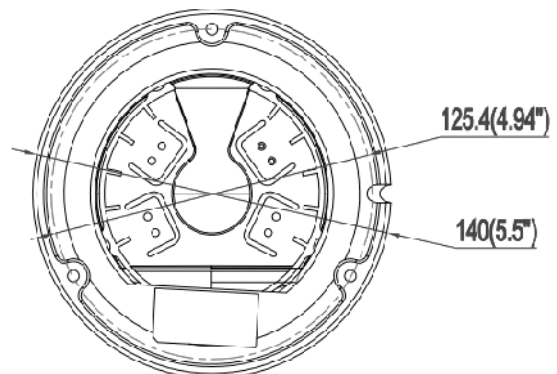
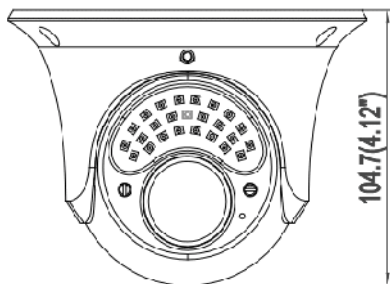


On-screen  
Display

## Accessories



Deep base



unit: mm (inch)

# STL-VD30IR-720P

## Camera

Image Sensor  
Signal System  
Effective Pixels  
Electronic Shutter  
Synchronization  
Min. Illumination  
Video Frame Rate  
Video Output

1/4" CMOS Sensor  
NTSC/PAL  
1280(H) x 720(V)  
AUTO  
External  
0.01Lux  
PAL/NTSC:25/30fps  
AHD / TVI / CVI / CVBS

## Camera Features

S/N Ratio  
Noise Reduction  
Day&Night  
White Balance  
OSD  
AGC  
IR LED  
IR Range

>41dB  
2D DNR  
Color / B&W/ AUTO / EXT  
Auto / Manual  
English / Chinese / Spanish / Russian / Portuguese  
Auto  
24pcs SMD LED  
up to 30m

## Lens

Focal Length  
Angle of View  
Lens Type  
Mount Type

2.8-12mm Manual Zoom Lens  
H: 90°~25°  
Fixed Iris  
Φ14

## General

IP Rating  
Power Supply  
Power Consumption  
Working Temperature / Humidity  
Dimensions(W×D×H)  
Weight

IP66  
DC12V(+/-10%)  
IR OFF:40mA / IR ON:350mA  
-40~+60°C  
Φ 140x105(H)mm  
690g

# SeeThru Lite



## Key features

- 1080P, 1/2.7" CMOS Sensor
- AHD / TVI / CVI / CVBS Output
- 3.6mm Fixed Lens
- IP66
- Housing Material: Metal

## Features



IR-Cut Filter  
Removable



Back Light  
Compensation



Katview



Smart IR



Digital Noise  
Reduction

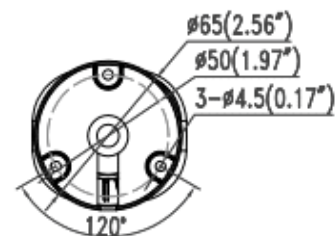
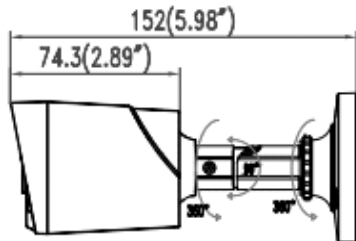
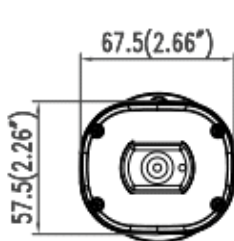


Cmos Scan

## Accessories



Deep base



unit: mm (inch)

# STL-FB20IR3.6M-1080P

## Camera

Image Sensor	1/2.7" CMOS Sensor
Signal System	NTSC/PAL
Effective Pixels	1920(H) x 1080(V)
Electronic Shutter	AUTO/ 1/50 (1/60) -1/50,000sec
Synchronization	Internal
Min. Illumination	0.01Lux
Video Frame Rate	PAL/NTSC: 25/30fps
Video Output	AHD / TVI / CVI / CVBS

## Camera Features

S/N Ratio	>41dB
Noise Reduction	2DNR
Day&Night	Auto
White Balance	Auto
AGC	Auto
IR LED	12pcs SMD IR
IR Range	Up to 20m

## Lens

Focal Length	3.6mm fixed lens
Lens Type	Fixed Iris
Mount Type	M12

## General

IP Rating	IP66
Casing	Metal
Power Supply	DC12V(+/-10%)
Power Consumption	IR OFF:70mA / IR ON:300mA
Working Temperature / Humidity	-40~+60°C
Dimensions(W×D×H)	152*67.5*57.5mm
Weight	365g

# SeeThru Life



## Key features

- 1080P, 1/2.7" CMOS Sensor
- AHD / TVI / CVI / CVBS Output
- 3.6mm Fixed Lens
- IP66
- Housing Material: Metal

## Features



IR-Cut Filter  
Removable



Back Light  
Compensation



Katview



Smart IR



Digital Noise  
Reduction



Cmos Scan

## Accessories



Deep base

# STL-FD20IR3.6M-1080P

## Camera

Image Sensor  
Signal System  
Effective Pixels  
Electronic Shutter  
Synchronization  
Min. Illumination  
Video Frame Rate  
Video Output

1/2.7" CMOS Sensor  
NTSC/PAL  
1920(H) x 1080(V)  
AUTO/ 1/50 (1/60) - 1/50,000sec  
Internal  
0.01Lux  
PAL/NTSC: 25/30fps  
AHD / TVI / CVI / CVBS

## Camera Features

S/N Ratio  
Noise Reduction  
Day&Night  
White Balance  
AGC  
IR LED  
IR Range

>41dB  
2DNR  
Auto  
Auto  
Auto  
12pcs SMD IR  
Up to 20m

## Lens

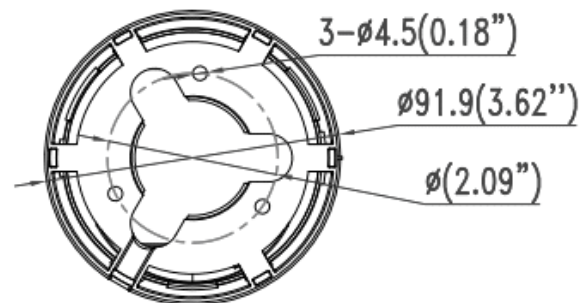
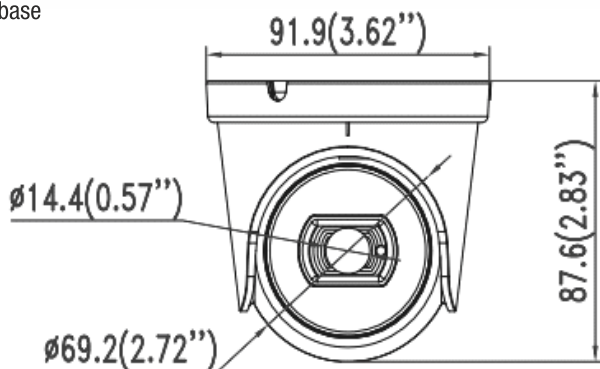
Focal Length  
Lens Type  
Mount Type

3.6mm fixed lens  
Fixed Iris  
M12

## General

IP Rating  
Casing  
Power Supply  
Power Consumption  
Working Temperature / Humidity  
Dimensions(W×D×H)  
Weight

IP66  
Metal  
DC12V(+/-10%)  
IR OFF:70mA / IR ON:300mA  
-40~+60°C  
Ø91.9\*87.6mm  
330g



unit: mm (inch)

# SeeThru Lite



## Key features

- 1080P, 1/2.7" CMOS Sensor
- AHD / TVI / CVI / CVBS Output
- 6mm Fixed Lens
- IP66
- Housing Material: Metal

## Features



IR-Cut Filter  
Removable



Back Light  
Compensation



Katview



Smart IR



Digital Noise  
Reduction



Cmos Scan

## Accessories



Deep base

# STL-FD20EX6-1080P

## Camera

Image Sensor	1/2.7" CMOS Sensor
Signal System	NTSC/PAL
Effective Pixels	1920(H) x 1080(V)
Electronic Shutter	AUTO/ 1/50 (1/60) -1/50,000sec
Synchronization	Internal
Min. Illumination	0.01Lux
Video Frame Rate	PAL/NTSC:25/30fps
Video Output	AHD / TVI / CVI / CVBS

## Camera Features

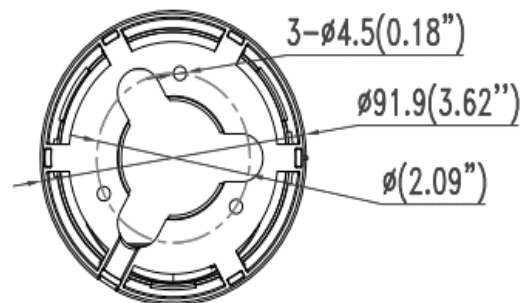
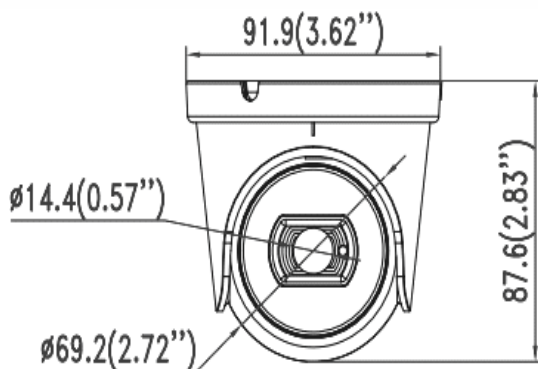
S/N Ratio	>41dB
Noise Reduction	2DNR
Day&Night	Auto
White Balance	Auto
AGC	Auto
IR LED	18pcs SMD IR
IR Range	Up to 20m

## Lens

Focal Length	6mm fixed lens
Lens Type	Fixed Iris
Mount Type	M12

## General

IP Rating	IP66
Casing	Metal
Power Supply	DC12V(+/-10%)
Power Consumption	IR OFF:70mA / IR ON:300mA
Working Temperature / Humidity	-40~+60°C
Dimensions(W×D×H)	∅91.9*87.6mm
Weight	370g



unit: mm (inch)

# SeeThru Lite



## Key features

- 1080P, 1/2.7" CMOS Sensor
- AHD / TVI / CVI / CVBS Output
- 12mm Fixed Lens
- IP66
- Housing Material: Metal

## Features



IR-Cut Filter  
Removable



Back Light  
Compensation



Katview



Smart IR



Digital Noise  
Reduction



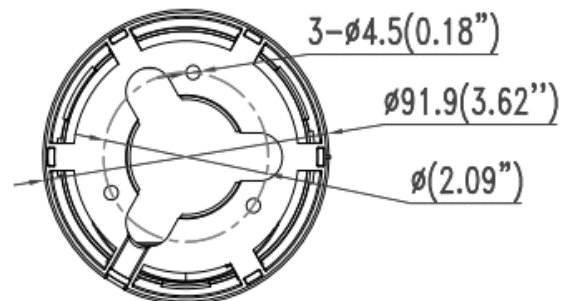
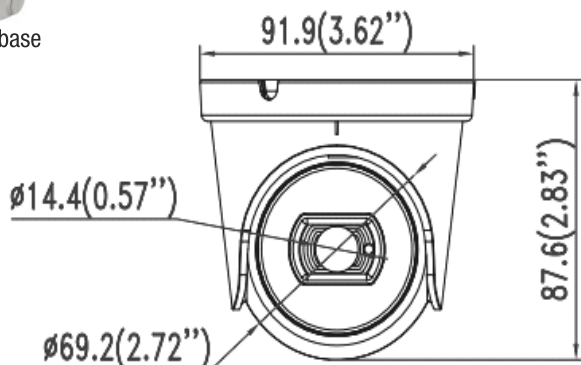
Cmos Scan

## Accessories



Deep base

Size: mm (Inch)



unit: mm (inch)

# STL-FD20EX12-1080P

## Camera

Image Sensor  
Signal System  
Effective Pixels  
Electronic Shutter  
Synchronization  
Min. Illumination  
Video Frame Rate  
Video Output

1/2.7" CMOS Sensor  
NTSC/PAL  
1920(H) x 1080(V)  
AUTO/ 1/50 (1/60) - 1/50,000sec  
Internal  
0.01Lux  
PAL/NTSC:25/30fps  
AHD / TVI / CVI / CVBS

## Camera Features

S/N Ratio  
Noise Reduction  
Day&Night  
White Balance  
AGC  
IR LED  
IR Range

>41dB  
2DNR  
Auto  
Auto  
Auto  
18pcs SMD IR  
Up to 40m

## Lens

Focal Length  
Lens Type  
Mount Type

12mm fixed lens  
Fixed Iris  
M12

## General

IP Rating  
Casing  
Power Supply  
Power Consumption  
Working Temperature / Humidity  
Dimensions(W×D×H)  
Weight

IP66  
Metal  
DC12V(+/-10%)  
IR OFF:70mA / IR ON:350mA  
-40~+60°C  
Ø91.9\*87.6mm  
370g

# SeeThru Lite



## Key features

- 1080P, 1/2.7" CMOS Sensor
- AHD / TVI / CVI / CVBS Output
- 6mm Fixed Lens
- IP66
- Housing Material: Metal

## Features



IR-Cut Filter  
Removable



Back Light  
Compensation



Katview



Smart IR



Digital Noise  
Reduction



Cmos Scan

# STL-FB20IR6-1080P

## Camera

Image Sensor	1/2.7" CMOS Sensor
Signal System	NTSC/PAL
Effective Pixels	1920(H) x 1080(V)
Electronic Shutter	AUTO/ 1/50 (1/60) - 1/50,000sec
Synchronization	External
Min. Illumination	0.01Lux
Video Frame Rate	PAL/NTSC:25/30fps
Video Output	AHD / TVI / CVI / CVBS

## Camera Features

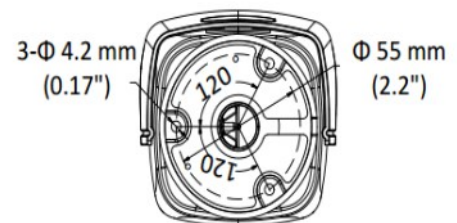
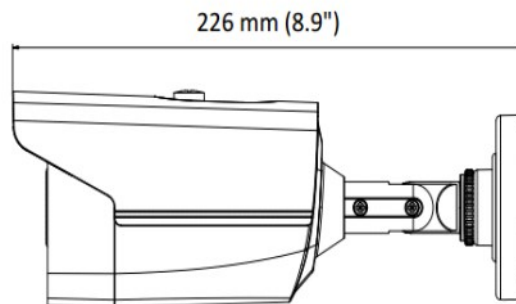
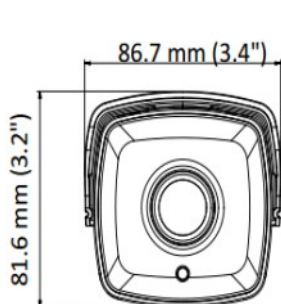
S/N Ratio	>41dB
Noise Reduction	2DNR
Day&Night	Color / B&W/ AUTO / EXT
White Balance	Auto / Manual
AGC	Auto
IR LED	2pcs ARRAY LED
IR Range	Up to 20m

## Lens

Focal Length	6mm fixed lens
Lens Type	Fixed Iris
Mount Type	M12

## General

IP Rating	IP66
Casing	Metal
Power Supply	DC12V(+/-10%)
Power Consumption	IR OFF:70mA / IR ON:620mA
Working Temperature / Humidity	-40~+60°C
Dimensions(W×D×H)	226*86.7*81.6mm
Weight	850g



unit: mm (inch)



# SeeThru Life



## Key features

- 1080P, 1/2.7" CMOS Sensor
- AHD / TVI / CVI / CVBS Output
- 12mm Fixed Lens
- IP66
- Housing Material: Metal

## Features



IR-Cut Filter  
Removable



Back Light  
Compensation



Katview



Smart IR



Digital Noise  
Reduction



Cmos Scan

## Accessories



Deep base

# STL-FB20IR12-1080P

## Camera

Image Sensor	1/2.7" CMOS Sensor
Signal System	NTSC/PAL
Effective Pixels	1920(H) x 1080(V)
Electronic Shutter	AUTO/ 1/50 (1/60) -1/50,000sec
Synchronization	External
Min. Illumination	0.01Lux
Video Frame Rate	PAL/NTSC:25/30fps
Video Output	AHD / TVI / CVI / CVBS

## Camera Features

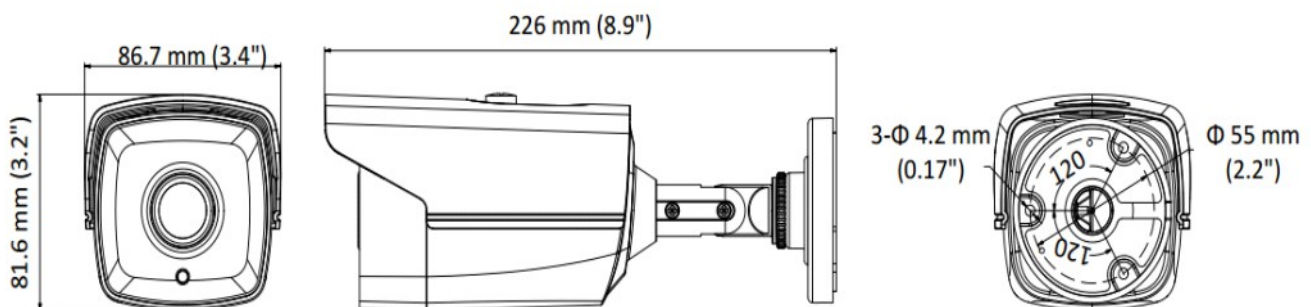
S/N Ratio	>41dB
Noise Reduction	2DNR
Day&Night	Color / B&W/ AUTO / EXT
White Balance	Auto / Manual
AGC	Auto
IR LED	2pcs ARRAY LED
IR Range	Up to 40m

## Lens

Focal Length	12mm fixed lens
Lens Type	Fixed Iris
Mount Type	M12

## General

IP Rating	IP66
Casing	Metal
Power Supply	DC12V(+/-10%)
Power Consumption	IR OFF:70mA / IR ON:620mA
Working Temperature / Humidity	-40~+60°C
Dimensions(W×D×H)	226*86.7*81.6mm
Weight	850g



unit: mm (inch)

# SeeThru Lite



## Key features

- 1080P, 1/2.7" CMOS Sensor
- AHD / TVI / CVI / CVBS Output
- 16mm Fixed Lens
- IP66
- Housing Material: Metal

## Features



IR-Cut Filter  
Removable



Back Light  
Compensation



Katview



Smart IR



Digital Noise  
Reduction



Cmos Scan

## Accessories



Deep base

# STL-FB20IR16-1080P

## Camera

Image Sensor	1/2.7" CMOS Sensor
Signal System	NTSC/PAL
Effective Pixels	1920(H) x 1080(V)
Electronic Shutter	AUTO/ 1/50 (1/60) - 1/50,000sec
Synchronization	External
Min. Illumination	0.01Lux
Video Frame Rate	PAL/NTSC:25/30fps
Video Output	AHD / TVI / CVI / CVBS

## Camera Features

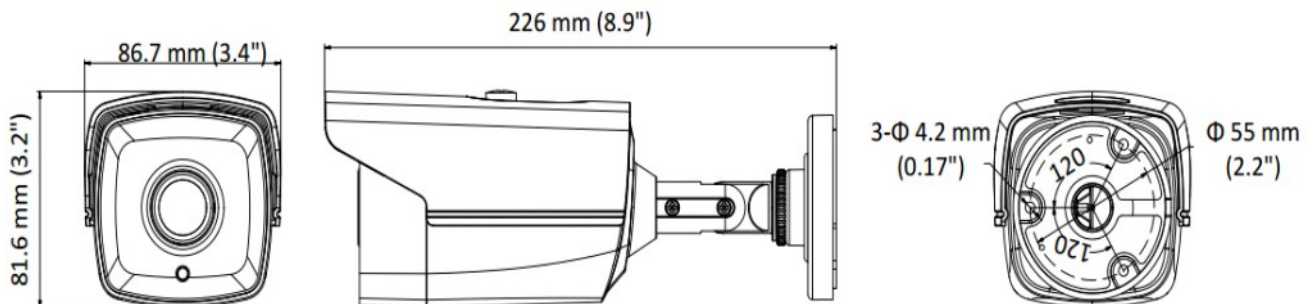
S/N Ratio	>41dB
Noise Reduction	2DNR
Day&Night	Color / B&W/ AUTO / EXT
White Balance	Auto / Manual
AGC	Auto
IR LED	4 pcs ARRAY LED
IR Range	Up to 80m

## Lens

Focal Length	16mm fixed lens
Lens Type	Fixed Iris
Mount Type	M12

## General

IP Rating	IP66
Casing	Metal
Power Supply	DC12V(+/-10%)
Power Consumption	IR OFF:70mA / IR ON:620mA
Working Temperature / Humidity	-40~+60°C
Dimensions(W×D×H)	226*86.7*81.6mm
Weight	850g



unit: mm (inch)



# SeeThru Lite



## Key features

- 1080P, 1/2.7" CMOS Sensor
- AHD / TVI / CVI / CVBS Output
- 2.8-12mm Manual Zoom Lens
- IP66
- Housing Material: Metal
- Smart IR

## Features



IR-Cut Filter  
Removable



Back Light  
Compensation



Katview



Smart IR



Digital Noise  
Reduction



CMOS Scan



On-screen  
Display

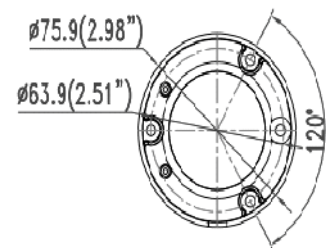
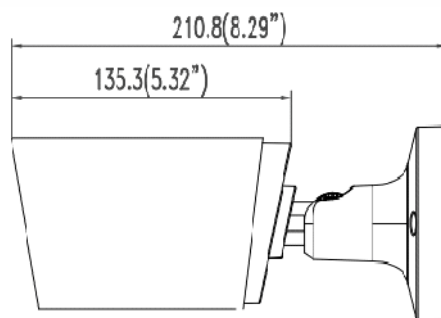
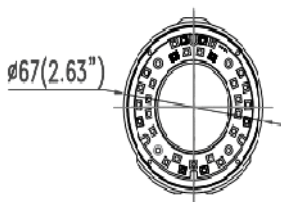
## Accessories



Deep base



Deep base



unit: mm (inch)

# STL-VB30IR-1080P

## Camera

Image Sensor  
Signal System  
Effective Pixels  
Electronic Shutter  
Synchronization  
Min. Illumination  
Video Frame Rate  
Video Output

1/2.7" Aptina CMOS Sensor  
NTSC/PAL  
1920(H) x 1080(V)  
AUTO  
External  
0.01Lux  
PAL/NTSC:25/30fps  
AHD / TVI / CVI / CVBS

## Camera Features

S/N Ratio  
Noise Reduction  
Day&Night  
White Balance  
OSD  
AGC  
IR LED  
IR Range

>41dB  
2D DNR  
Color / B&W/ AUTO / EXT  
Auto / Manual  
English / Chinese / Spanish / Russian / Portuguese  
Auto  
30pcs SMD LED  
up to 30m

## Lens

Focal Length  
Lens Type  
Mount Type

2.8-12mm Manual Zoom Lens  
Fixed Iris  
Φ14

## General

IP Rating  
Power Supply  
Power Consumption  
Working Temperature / Humidity  
Dimensions(W×D×H)  
Weight

IP66  
DC12V(+/-10%)  
IR OFF:55mA / IR ON:400mA  
-40~+60°C  
Φ 67X210.8mm  
780g

CCTV cameras with  
exposure auto-adjust feature



SeeThru  
**Prime**

SeeThru  
Prime  
CCTV

# SeeThru Prime



## Key features

- 1080P, 1/2.7" CMOS Sensor
- AHD / TVI / CVI / CVBS Output
- 3.6mm Fixed Lens
- IP66
- Housing Material: Metal
- Smart IR, True WDR, Smart IR

## Features



IR-Cut Filter  
Removable



Back Light  
Compensation



Katview



Smart IR



Digital Noise  
Reduction



Cmos Scan

## Accessories



Deep base

# STS-FB20IR3.6-1080P

## Camera

Image Sensor	1/2.7" CMOS Sensor
Signal System	NTSC/PAL
Effective Pixels	1280(H) x 1080(V)
Electronic Shutter	AUTO/ 1/50 (1/60) -1/50,000sec
Synchronization	Internal
Min. Illumination	0.001Lux
Video Frame Rate	PAL/NTSC:25/30fps
Video Output	AHD / TVI / CVI / CVBS

## Camera Features

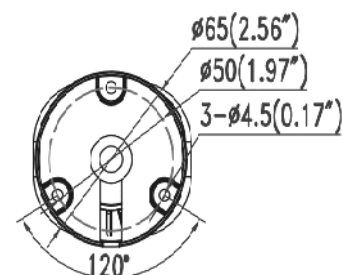
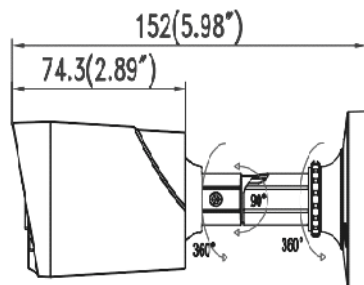
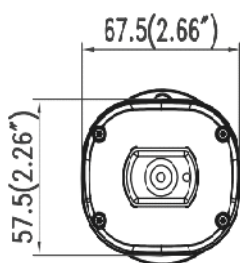
S/N Ratio	>41dB
Noise Reduction	2DNR
Day&Night	Auto
White Balance	Auto
AGC	Auto
IR LED	18pcs SMD IR
IR Range	Up to 20m

## Lens

Focal Length	3.6mm fixed lens
Lens Type	Fixed Iris
Mount Type	M12

## General

IP Rating	IP66
Casing	Metal
Power Supply	DC12V(+/-10%)
Power Consumption	IR OFF:110mA / IR ON:340mA
Working Temperature / Humidity	-40~+60°C
Dimensions(W×D×H)	152*67.5*57.5mm
Weight	365g



unit: mm (inch)

# SeeThru Prime



## Key features

- 1080P, 1/2.7" CMOS Sensor
- AHD / TVI / CVI / CVBS Output
- 3.6mm Fixed Lens
- IP66
- Housing Material: Metal
- Smart IR, True WDR, Smart IR

## Features



IR-Cut Filter Removable



Back Light Compensation



Katview



Smart IR



Digital Noise Reduction



Cmos Scan

## Accessories



Deep base

# STS-FD20IR3.6-1080P

## Camera

Image Sensor	1/2.7" CMOS Sensor
Signal System	NTSC/PAL
Effective Pixels	1280(H) x 1080(V)
Electronic Shutter	AUTO/ 1/50 (1/60) -1/50,000sec
Synchronization	Internal
Min. Illumination	0.001Lux
Video Frame Rate	PAL/NTSC:25/30fps
Video Output	AHD / TVI / CVI / CVBS

## Camera Features

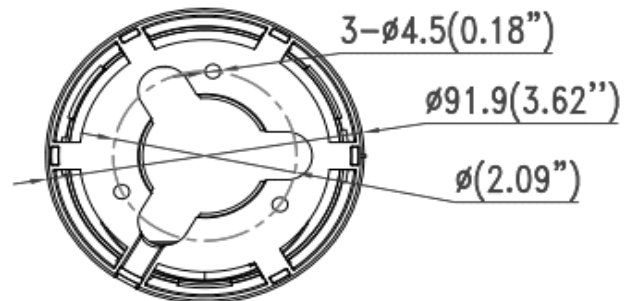
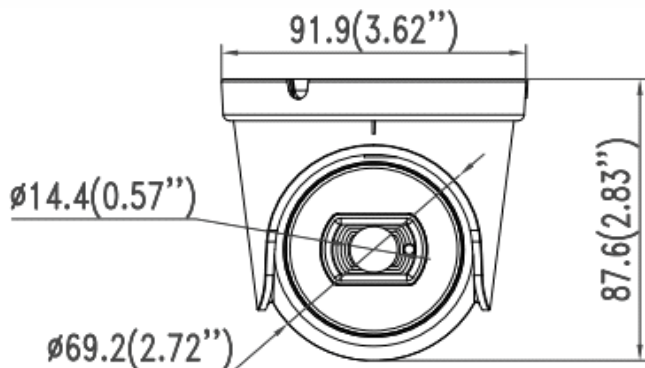
S/N Ratio	>41dB
Noise Reduction	2DNR
Day&Night	Auto
White Balance	Auto
AGC	Auto
IR LED	18pcs SMD IR
IR Range	Up to 20m

## Lens

Focal Length	3.6mm fixed lens
Lens Type	Fixed Iris
Mount Type	M12

## General

IP Rating	IP66
Casing	Metal
Power Supply	DC12V(+/-10%)
Power Consumption	IR OFF:110mA / IR ON:340mA
Working Temperature / Humidity	-40~+60°C
Dimensions(W×D×H)	∅91.9*87.6mm
Weight	330g



unit: mm (inch)

# See Thru Prime



## Key features

- 1080P, 1/2.7" CMOS Sensor
- AHD / TVI / CVI / CVBS Output
- 3.6mm Fixed Lens
- IP66
- Housing Material: Metal
- Smart IR, True WDR, Smart IR

## Features



IR-Cut Filter Removable



Back Light Compensation



Katview



Smart IR



Digital Noise Reduction



Cmos Scan

# STS-FB20EX6-1080P

## Camera

Image Sensor	1/2.7" CMOS Sensor
Signal System	NTSC/PAL
Effective Pixels	1280(H) x 1080(V)
Electronic Shutter	AUTO/ 1/50 (1/60) -1/50,000sec
Synchronization	Internal
Min. Illumination	0.001Lux
Video Frame Rate	PAL/NTSC:25/30fps
Video Output	AHD / TVI / CVI / CVBS

## Camera Features

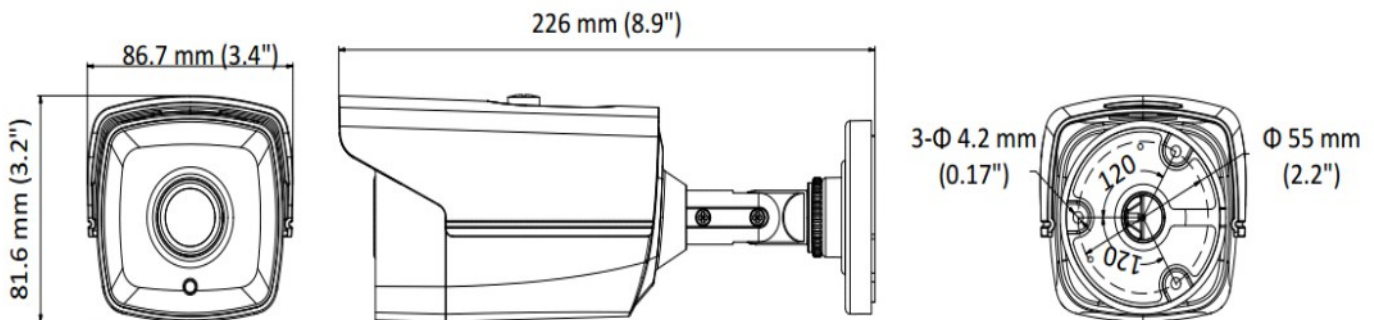
S/N Ratio	>41dB
Noise Reduction	2DNR
Day&Night	Auto
White Balance	Auto
AGC	Auto
IR LED	2pcs ARRAY LED
IR Range	Up to 20m

## Lens

Focal Length	6mm fixed lens
Lens Type	Fixed Iris
Mount Type	M12

## General

IP Rating	IP66
Casing	Metal
Power Supply	DC12V(+/-10%)
Power Consumption	IR OFF:110mA / IR ON:660mA
Working Temperature / Humidity	-40~+60°C
Dimensions(W×D×H)	226*86.7*81.6mm
Weight	850g



unit: mm (inch)



# See Thru Prime



## Key features

- 1080P, 1/2.7" CMOS Sensor
- AHD / TVI / CVI / CVBS Output
- 3.6mm Fixed Lens
- IP66
- Housing Material: Metal
- Smart IR, True WDR, Smart IR

## Features



IR-Cut Filter  
Removable



Back Light  
Compensation



Katview



Smart IR



Digital Noise  
Reduction



Cmos Scan

# STS-FB20EX12-1080P

## Camera

Image Sensor	1/2.7" CMOS Sensor
Signal System	NTSC/PAL
Effective Pixels	1280(H) x 1080(V)
Electronic Shutter	AUTO/ 1/50 (1/60) - 1/50,000sec
Synchronization	Internal
Min. Illumination	0.001Lux
Video Frame Rate	PAL/NTSC:25/30fps
Video Output	AHD / TVI / CVI / CVBS

## Camera Features

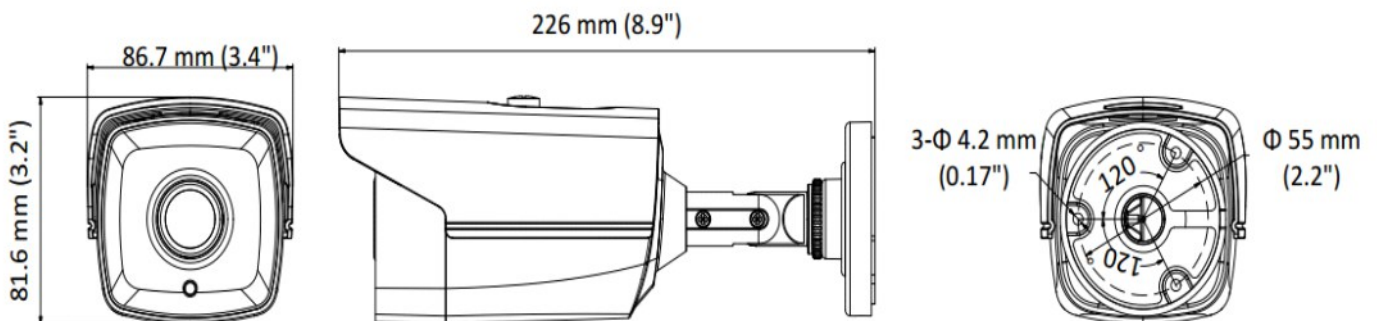
S/N Ratio	>41dB
Noise Reduction	2DNR
Day&Night	Auto
White Balance	Auto
AGC	Auto
IR LED	2pcs ARRAYLED
IR Range	Up to 40m

## Lens

Focal Length	12mm fixed lens
Angle of View	H: 80°
Lens Type	Fixed Iris
Mount Type	M12

## General

IP Rating	IP66
Casing	Metal
Power Supply	DC12V(+/-10%)
Power Consumption	IR OFF:110mA / IR ON:660mA
Working Temperature / Humidity	-40~+60°C
Dimensions(W×D×H)	226*86.7*81.6mm
Weight	850g



unit: mm (inch)

# See Thru Prime



## Key features

- 1080P, 1/2.7" CMOS Sensor
- AHD / TVI / CVI / CVBS Output
- 16mm Fixed Lens
- IP66
- Housing Material: Metal
- Smart IR, True WDR, Smart IR

## Features



IR-Cut Filter Removable



Back Light Compensation



Katview



Smart IR



Digital Noise Reduction



Cmos Scan

# STS-FB20EX16-1080P

## Camera

Image Sensor	1/2.7" CMOS Sensor
Signal System	NTSC/PAL
Effective Pixels	1280(H) x 1080(V)
Electronic Shutter	AUTO/ 1/50 (1/60) -1/50,000sec
Synchronization	Internal
Min. Illumination	0.001Lux
Video Frame Rate	PAL/NTSC:25/30fps
Video Output	AHD / TVI / CVI / CVBS

## Camera Features

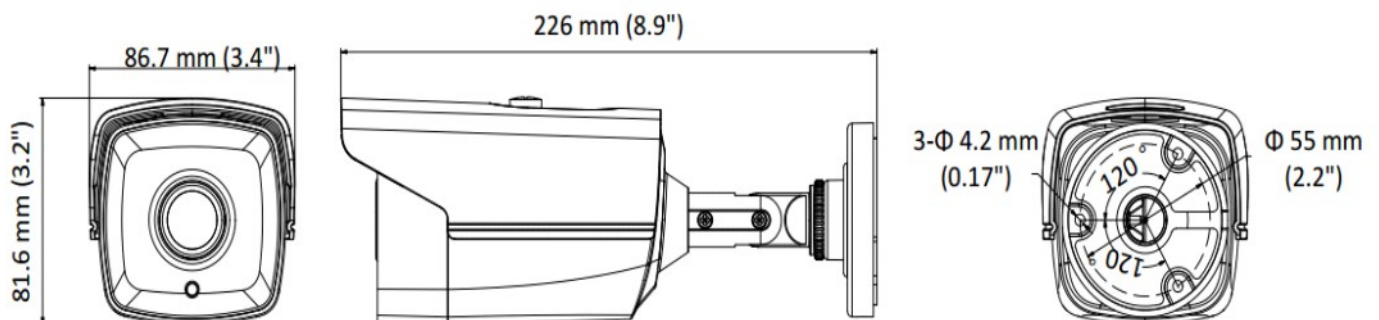
S/N Ratio	>41dB
Noise Reduction	2DNR
Day&Night	Auto
White Balance	Auto/Manual
AGC	Auto
IR LED	4 pcs ARRAY LED
IR Range	Up to 80m

## Lens

Focal Length	16mm fixed lens
Lens Type	Fixed Iris
Mount Type	M12

## General

IP Rating	IP66
Casing	Metal
Power Supply	DC12V(+/-10%)
Power Consumption	IR OFF:110mA / IR ON:660mA
Working Temperature / Humidity	-40~+60°C
Dimensions(W×D×H)	226*86.7*81.6mm
Weight	850g



unit: mm (inch)

# SeeThru Prime



## Key features

- 1080P, 1/2.7" CMOS Sensor
- AHD / TVI / CVI / CVBS Output
- 3.6mm Fixed Lens
- IP66
- Housing Material: Metal
- Smart IR, True WDR, Smart IR

## Features



ICR  
IR-Cut Filter  
Removable



BLC  
Back Light  
Compensation



Katview



Smart IR



DNR  
Digital Noise  
Reduction



SCAN  
Cmos Scan

## Accessories



Deep base

# STS-FD20EX6-1080P

## Camera

Image Sensor	1/2.7" CMOS Sensor
Signal System	NTSC/PAL
Effective Pixels	1280(H) x 1080(V)
Electronic Shutter	AUTO/ 1/50 (1/60) -1/50,000sec
Synchronization	Internal
Min. Illumination	0.001Lux
Video Frame Rate	PAL/NTSC:25/30fps
Video Output	AHD / TVI / CVI / CVBS

## Camera Features

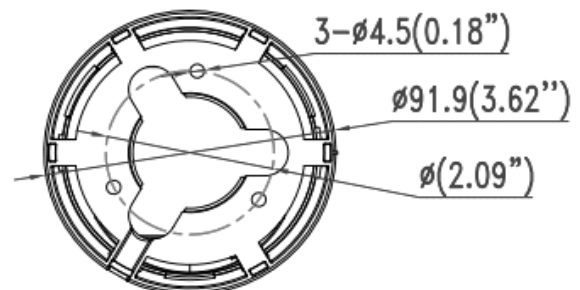
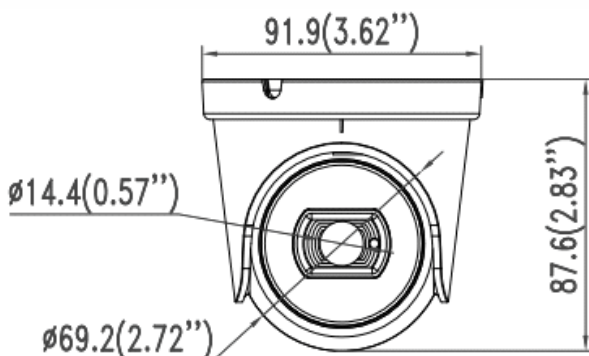
S/N Ratio	>41dB
Noise Reduction	2DNR
Day&Night	Auto
White Balance	Auto
AGC	Auto
IR LED	18pcs SMD IR
IR Range	Up to 20m

## Lens

Focal Length	6mm fixed lens
Lens Type	Fixed Iris
Mount Type	M12

## General

IP Rating	IP66
Casing	Metal
Power Supply	DC12V(+/-10%)
Power Consumption	IR OFF:110mA / IR ON:340mA
Working Temperature / Humidity	-40~+60°C
Dimensions(W×D×H)	∅91.9*87.6mm
Weight	330g



unit: mm (inch)

# SeeThru Prime



## Key features

- 1080P, 1/2.7" CMOS Sensor
- AHD / TVI / CVI / CVBS Output
- 12mm Fixed Lens
- IP66
- Housing Material: Metal
- Smart IR, True WDR, Smart IR

## Features



IR-Cut Filter  
Removable



Back Light  
Compensation



Katview



Smart IR



Digital Noise  
Reduction



Cmos Scan

## Accessories



Deep base

# STS-FD20EX12-1080P

## Camera

Image Sensor	1/2.7" CMOS Sensor
Signal System	NTSC/PAL
Effective Pixels	1280(H) x 1080(V)
Electronic Shutter	AUTO/ 1/50 (1/60) - 1/50,000sec
Synchronization	Internal
Min. Illumination	0.001Lux
Video Frame Rate	PAL/NTSC:25/30fps
Video Output	AHD / TVI / CVI / CVBS

## Camera Features

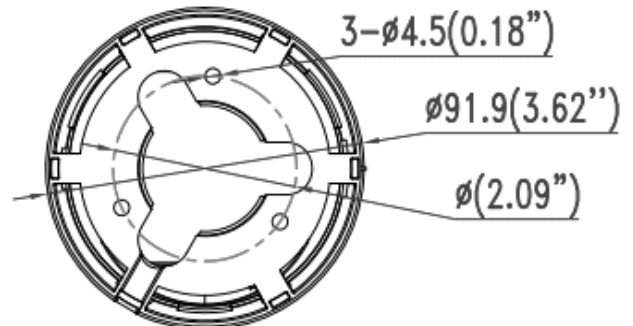
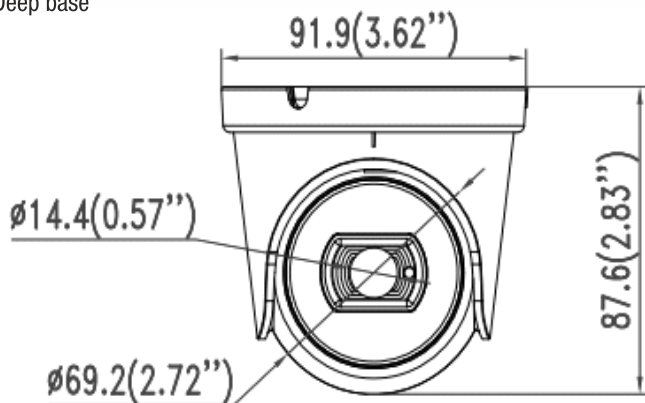
S/N Ratio	>41dB
Noise Reduction	2DNR
Day&Night	Auto
White Balance	Auto
AGC	Auto
IR LED	18pcs SMD IR
IR Range	Up to 40m

## Lens

Focal Length	12mm fixed lens
Lens Type	Fixed Iris
Mount Type	M12

## General

IP Rating	IP66
Casing	Metal
Power Supply	DC12V(+/-10%)
Power Consumption	IR OFF:110mA / IR ON:400mA
Working Temperature / Humidity	-40~+60°C
Dimensions(W×D×H)	∅91.9*87.6mm
Weight	330g



unit: mm (inch)

# SeeThru Prime



## STS-VB30IR-1080P

### Camera

Image Sensor	1/2.7" CMOS Sensor
Signal System	NTSC/PAL
Effective Pixels	1280(H) x 1080(V)
Electronic Shutter	AUTO/ 1/50 (1/60) -1/50,000sec
Synchronization	Internal
Min. Illumination	0.001Lux
Video Frame Rate	PAL/NTSC:25/30fps
Video Output	AHD / TVI / CVI / CVBS

### Camera Features

S/N Ratio	>41dB
Noise Reduction	2D DNR
Day&Night	Color / B&W/ AUTO / EXT
White Balance	Auto / Manual
OSD	English / Chinese
AGC	Auto
IR LED	30pcs SMD LED
IR Range	up to 30m

### Key features

- 1080P, 1/2.7" CMOS Sensor
- AHD / TVI / CVI / CVBS Output
- 2.8-12mm Motorized Lens
- IP66
- Housing Material: Metal
- Smart IR, True WDR, Smart IR

### Features



IR-Cut Filter  
Removable



Back Light  
Compensation



Katview



Smart IR



Digital Noise  
Reduction



Cmos Scan



On-screen  
Display

### Lens

Focal Length	2.8-12mm Motorized Lens
Lens Type	Fixed Iris
Mount Type	Φ14

### General

IP Rating	IP66
Power Supply	DC12V(+/-10%)
Power Consumption	IR OFF:110mA / IR ON:450mA
Working Temperature / Humidity	-40~+60°C
Dimensions(W×D×H)	Φ 67X210.8mm
Weight	780g

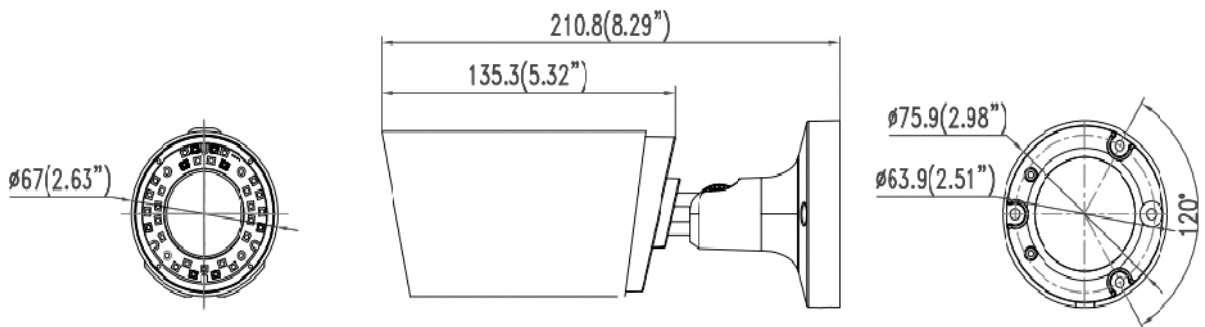
### Accessories



Deep base



Deep base



unit: mm (inch)



# SeeThru Prime



## Key features

- 1080P, 1/2.7" CMOS Sensor
- AHD / TVI / CVI / CVBS Output
- 2.8-12mm Motorized Lens
- IP66
- Housing Material: Metal
- Smart IR, True WDR, Smart IR

## Features



IR-Cut Filter  
Removable



Back Light  
Compensation



Katview



Smart IR



Digital Noise  
Reduction



Cmos Scan

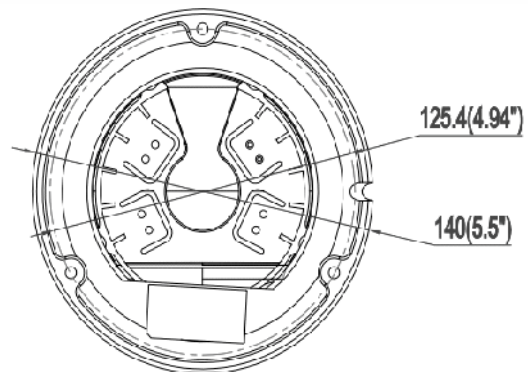
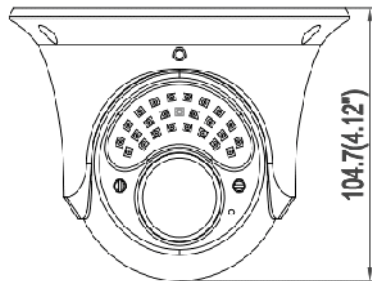


On-screen  
Display

## Accessories



Deep base



unit: mm (inch)

# STS-VD30IR-1080P

## Camera

Image Sensor  
Signal System  
Effective Pixels  
Electronic Shutter  
Synchronization  
Min. Illumination  
Video Frame Rate  
Video Output

1/2.7" CMOS Sensor  
NTSC/PAL  
1280(H) x 1080(V)  
AUTO/ 1/50 (1/60) -1/50,000sec  
Internal  
0.001Lux  
PAL/NTSC:25/30fps  
AHD / TVI / CVI / CVBS

## Camera Features

S/N Ratio  
Noise Reduction  
Day&Night  
White Balance  
OSD  
AGC  
IR LED  
IR Range

>41dB  
2D DNR  
Color / B&W/ AUTO / EXT  
Auto / Manual  
English / Chinese  
Auto  
24pcs SMD LED  
up to 30m

## Lens

Focal Length  
Lens Type  
Mount Type




2.8-12mm Motorized Lens  
Fixed Iris  
Φ14

## General

IP Rating  
Power Supply  
Power Consumption  
Working Temperature / Humidity  
Dimensions(W×D×H)  
Weight

IP66  
DC12V(+/-10%)  
IR OFF:110mA / IR ON:420mA  
-40~+60°C  
φ 140x105(H)mm  
780g

# SeeThru Prime

Model	STS-UR4S1-1440P	STS-UR8S1-1440P	STS-UR16S2-1440P
Picture			
Chipset	Hi3520Dv300	Hi3521A	Hi3531A
<b>Video &amp; Audio Input</b>			
Video Input	4ch BNC interface(1.0Vp-p, 75 Ω)	8ch BNC interface(1.0Vp-p, 75 Ω)	16ch BNC interface(1.0Vp-p, 75 Ω)
TVI	1080P, 720P		
CVI	1080P, 720P		
AHD	4MP, 1080P, 720P		
IPC	up to 6ch when no analog input,resolution up to 2MP	up to 10ch when no analog input,resolution up to 2MP	up to 20ch when no analog input,resolution up to 2MP
CVBS			
Audio Input	Support	Support	Support
Audio Input	4ch, RCA(2.0 Vp-p, 1 KΩ)		
<b>Video &amp; Audio Output</b>			
HDMI	1ch, resolution: 1920×1080/60Hz, 1280×1024/60Hz, 1280×720/60Hz, 1024×768/60Hz		
VGA	1ch, resolution: 1920×1080/60Hz, 1280×1024/60Hz, 1280×720/60Hz, 1024×768/60Hz		
CVBS output	Support	Support	Support
Audio Output	1-ch, RCA (Linear, 1kΩ)		
<b>Display</b>			
Multi-screen display	4CH: 1/4/6	8CH: 1/4/6/8/9/10	16CH: 1/4/6/8/9/16/20
<b>Recording</b>			
Compression	H.264+/H.264/H.265/H.265+		
Resolution	4ch 4MP Lite/1080P@12fps; 960H/D1/CIF real time	8ch 4MP Lite/1080P@12fps; 960H/D1/CIF real time	16ch 4MP Lite/1080P@12fps; 960H/D1/CIF real time
Video Bit Rate	11Kbps-4582Kbps		
Audio Compression	G.711a		
Audio Bit Rate	64kbps		
<b>Playback &amp; Backup</b>			
Playback Mode	Normal/Time Division/Label/Event/Picture Playback		
Playback Rate	4ch Playback	8ch Playback	16ch Playback
Backup Mode	USB Device/Network		
<b>Advanced Features</b>			
Intelligent Detection	1CH	4CH	8CH
Smart Playback	Line Crossing / Area Intrusion / Motion Detection		
Cloud Storage	Support	Support	Support
Cloud Upgrade	Support	Support	Support
<b>Network</b>			
Ethernet	1 RJ-45 10 /100 Mbps self-adaptive Ethernet interface		1 RJ-45 10 /100/1000 Mbps self-adaptive Ethernet interface
Network Function	HTTP, TCP/IP, IPv4, UPNP, RTSP, UDP, SMTP, NTP, DHCP, DNS, IP Filter, DDNS, FTP, P2P, ONVIF 2.4		
Max. User Access	32 users		
Smart Phone	IOS(iPhone, iPad), Android(Phone, Pad)		
<b>Hard Disk</b>			
SATA	1 HDD	1 HDD	2 HDD
Capacity	Up to 8TB capacity for each HDD		
<b>External Interface</b>			
Serial Interface	RS-485		
Two way talk	1-ch, multiplex with Audio Input(RCA)		
USB Interface	Front panel: 1 × USB 2.0 Rear panel: 1 × USB 2.0		
<b>General</b>			
Power Supply	DC12V,1.5A	DC12V,1.5A	DC12V,5A
Power Consumption	≤10W(without HDD)		≤15W(without HDD)
Working Environment	-10°C~+55°C / 10%~90%RH		
Dimension (W×D×H)	250 x 230 x 45mm	250 x 230 x 45mm	326 x 243 x 52mm
Weight	1.5kg	1.5kg	2.3kg

## Key features

- Support AHD/TVI/CVI/CVBS/IP Cameras
- Support AHD/TVI/CVI cameras up to 2MP
- Support Smart Detection & Smart Playback
- Support Extra IP Channels
- Support H.264+/H.264
- Support Time Division & Instant Playback
- Support Google Drive & Dropbox Cloud storage

A premium range of cameras for  
all your security needs



SeeThru  
**Elite**

SeeThru  
Elite  
S

# SeeThru Elite



## STP-FB20EX3.6-1440P

### Camera

Image Sensor	1/2.7" CMOS Sensor
Signal System	NTSC/PAL
Effective Pixels	2560 (H) x 1440 (V)
Electronic Shutter	AUTO/ 1/50 (1/60) -1/50,000sec
Synchronization	Internal
Min. Illumination	0.01Lux
Video Frame Rate	PAL/NTSC:25/30fps
Video Output	AHD / TVI / CVI / CVBS

### Camera Features

S/N Ratio	>41dB
Noise Reduction	2DNR
Day&Night	Auto
White Balance	Auto
AGC	Auto
IR LED	18pcs SMD IR
IR Range	Up to 20m

### Lens

Focal Length	3.6mm fixed lens
Lens Type	Fixed Iris
Mount Type	M12

### General

IP Rating	IP66
Casing	Metal
Power Supply	DC12V(+/-10%)
Power Consumption	IR OFF:85mA / IR ON:320mA
Working Temperature / Humidity	-40~+60°C
Dimensions(W×D×H)	152*67.5*57.5mm
Weight	365g

### Key features

- 4MP@25fps, 1/2.7" CMOS Sensor
- AHD / TVI / CVI / CVBS Output
- 3.6mm Fixed Lens
- IP66
- Housing Material: Metal

### Features



IR-Cut Filter  
Removable



Back Light  
Compensation



Digital Noise  
Reduction

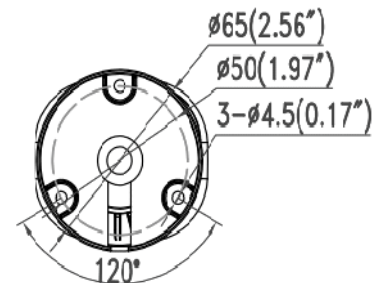
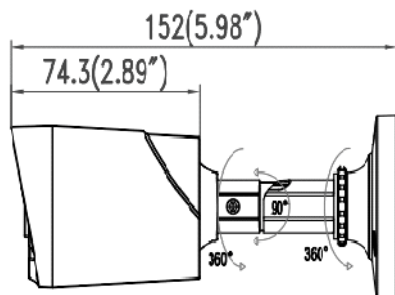
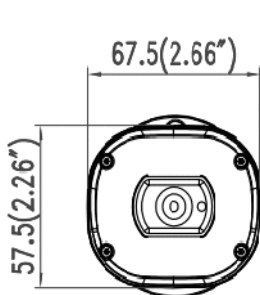


Cmos Scan

### Accessories



Deep base



unit: mm (inch)

# SeeThru Elite



## STP-FD20IR3.6P-1440P

### Camera

Image Sensor	1/2.7" CMOS Sensor
Signal System	NTSC/PAL
Effective Pixels	2560 (H) x 1440 (V)
Electronic Shutter	AUTO/ 1/50 (1/60) - 1/50,000sec
Synchronization	Internal
Min. Illumination	0.01Lux
Video Frame Rate	PAL/NTSC:25/30fps
Video Output	AHD / TVI / CVI / CVBS

### Camera Features

S/N Ratio	>41dB
Noise Reduction	2DNR
Day&Night	Auto
White Balance	Auto
AGC	Auto
IR LED	18pcs SMD IR
IR Range	Up to 20m

### Lens

Focal Length	3.6mm fixed lens
Angle of View	H: 80°
Lens Type	Fixed Iris
Mount Type	M12

### General

IP Rating	IP66
Casing	Metal
Power Supply	DC12V(+/-10%)
Power Consumption	IR OFF:85mA / IR ON:320mA
Working Temperature / Humidity	-40~+60°C
Dimensions(W×D×H)	∅91.9*87.6mm
Weight	330g

### Key features

- 4MP@25fps, 1/2.7" CMOS Sensor
- AHD / TVI / CVI / CVBS Output
- 3.6mm Fixed Lens
- IP66
- Housing Material: Metal

### Features



IR-Cut Filter  
Removable



Back Light  
Compensation



Digital Noise  
Reduction

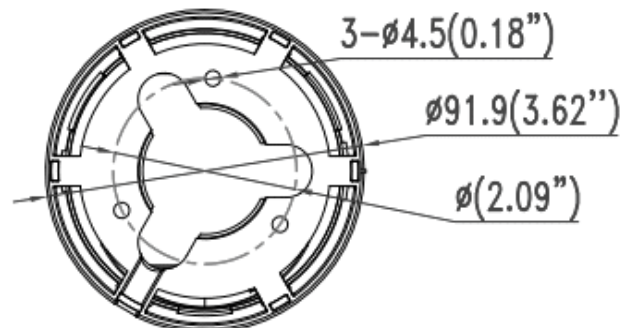
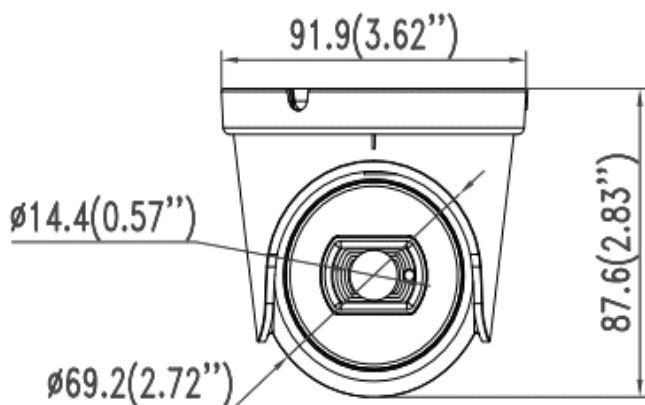


Cmos Scan

### Accessories



Deep base



unit: mm (inch)



# See Thru Elite



## STP-FB20EX6-1440P

### Camera

Image Sensor	1/2.7" CMOS Sensor
Signal System	NTSC/PAL
Effective Pixels	2560 (H) x 1440 (V)
Electronic Shutter	AUTO/ 1/50 (1/60) -1/50,000sec
Synchronization	Internal
Min. Illumination	0.01Lux
Video Frame Rate	PAL/NTSC:25/30fps
Video Output	AHD / TVI / CVI / CVBS

### Camera Features

S/N Ratio	>41dB
Noise Reduction	2DNR
Day&Night	Auto
White Balance	Auto
AGC	Auto
IR LED	2pcs ARRAY LED
IR Range	Up to 20m

### Key features

- 4MP@25fps, 1/2.7" CMOS Sensor
- AHD / TVI / CVI / CVBS Output
- 6mm Fixed Lens
- IP66
- Housing Material: Metal

### Features



IR-Cut Filter  
Removable



Back Light  
Compensation



Digital Noise  
Reduction



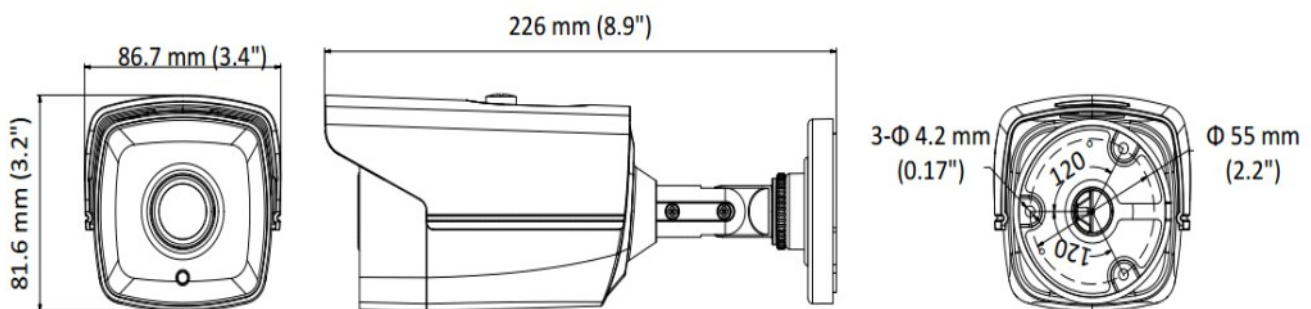
Cmos Scan

### Lens

Focal Length	6mm fixed lens
Lens Type	Fixed Iris
Mount Type	M12

### General

IP Rating	IP66
Casing	Metal
Power Supply	DC12V(+/-10%)
Power Consumption	IR OFF:85mA / IR ON:640mA
Working Temperature / Humidity	-40~+60°C
Dimensions(W×D×H)	226*86.7*81.6mm
Weight	850g



unit: mm (inch)

# SeeThru Elite



## STP-FB20EX12-1440P

### Camera

Image Sensor	1/2.7" CMOS Sensor
Signal System	NTSC/PAL
Effective Pixels	2560 (H) x 1440 (V)
Electronic Shutter	AUTO/ 1/50 (1/60) -1/50,000sec
Synchronization	Internal
Min. Illumination	0.01Lux
Video Frame Rate	PAL/NTSC:25/30fps
Video Output	AHD / TVI / CVI / CVBS

### Camera Features

S/N Ratio	>41dB
Noise Reduction	2DNR
Day&Night	Auto
White Balance	Auto
AGC	Auto
IR LED	2pcs ARRAY LED
IR Range	Up to 40m

### Key features

- 4MP@25fps, 1/2.7" CMOS Sensor
- AHD / TVI / CVI / CVBS Output
- 12mm Fixed Lens
- IP66
- Housing Material: Metal

### Features



IR-Cut Filter  
Removable



Back Light  
Compensation



Digital Noise  
Reduction



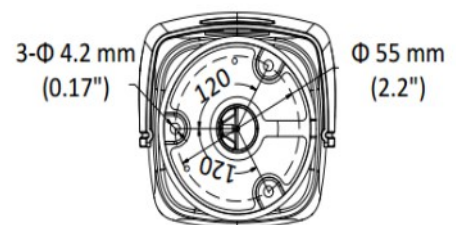
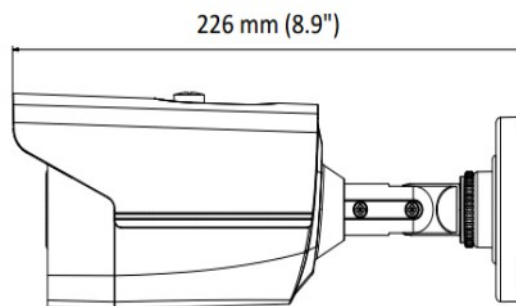
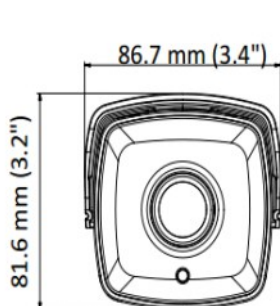
Cmos Scan

### Lens

Focal Length	12mm fixed lens
Lens Type	Fixed Iris
Mount Type	M12

### General

IP Rating	IP66
Casing	Metal
Power Supply	DC12V(+/-10%)
Power Consumption	IR OFF:85mA / IR ON:640mA
Working Temperature / Humidity	-40~+60°C
Dimensions(W×D×H)	226*86.7*81.6mm
Weight	850g



unit: mm (inch)

# See Thru Elite



## STP-FB20EX16-1440P

### Camera

Image Sensor	1/2.7" CMOS Sensor
Signal System	NTSC/PAL
Effective Pixels	2560 (H) x 1440 (V)
Electronic Shutter	AUTO/ 1/50 (1/60) -1/50,000sec
Synchronization	Internal
Min. Illumination	0.01Lux
Video Frame Rate	PAL/NTSC:25/30fps
Video Output	AHD / TVI / CVI / CVBS

### Camera Features

S/N Ratio	>41dB
Noise Reduction	2DNR
Day&Night	Auto
White Balance	Auto
AGC	Auto
IR LED	4 pcs ARRAY LED
IR Range	Up to 80m

#### Key features

- 4MP@25fps, 1/2.7" CMOS Sensor
- AHD / TVI / CVI / CVBS Output
- 16mm Fixed Lens
- IP66
- Housing Material: Metal

#### Features



IR-Cut Filter  
Removable



Back Light  
Compensation



Digital Noise  
Reduction



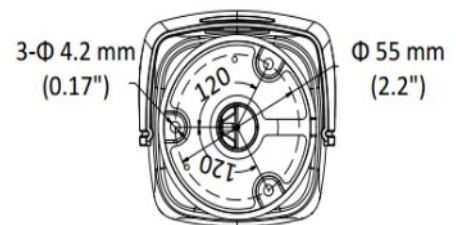
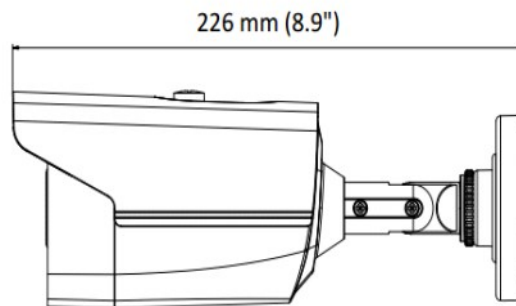
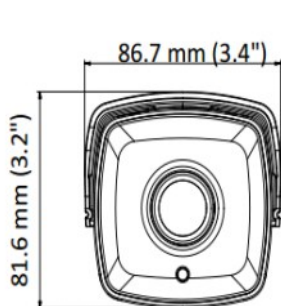
Cmos Scan

### Lens

Focal Length	16mm fixed lens
Lens Type	Fixed Iris
Mount Type	M12

### General

IP Rating	IP66
Casing	Metal
Power Supply	DC12V(+/-10%)
Power Consumption	IR OFF:85mA / IR ON:640mA
Working Temperature / Humidity	-40~+60°C
Dimensions(W×D×H)	226*86.7*81.6mm
Weight	850g



unit: mm (inch)

# SeeThru Elite



## STP-FD20EX6-1440P

### Camera

Image Sensor	1/2.7" CMOS Sensor
Signal System	NTSC/PAL
Effective Pixels	2560 (H) x 1440 (V)
Electronic Shutter	AUTO/ 1/50 (1/60) - 1/50,000sec
Synchronization	Internal
Min. Illumination	0.01Lux
Video Frame Rate	PAL/NTSC:25/30fps
Video Output	AHD / TVI / CVI / CVBS

### Camera Features

S/N Ratio	>41dB
Noise Reduction	2DNR
Day&Night	Auto
White Balance	Auto
AGC	Auto
IR LED	18pcs SMD IR
IR Range	Up to 20m

### Key features

- 4MP@25fps, 1/2.7" CMOS Sensor
- AHD / TVI / CVI / CVBS Output
- 6mm Fixed Lens
- IP66
- Housing Material: Metal

### Features



IR-Cut Filter  
Removable



Back Light  
Compensation



Digital Noise  
Reduction



Cmos Scan

### Accessories



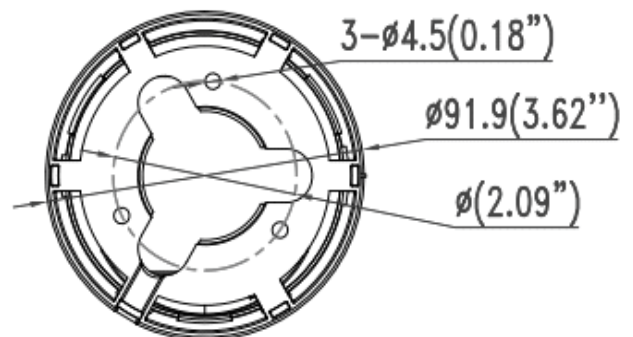
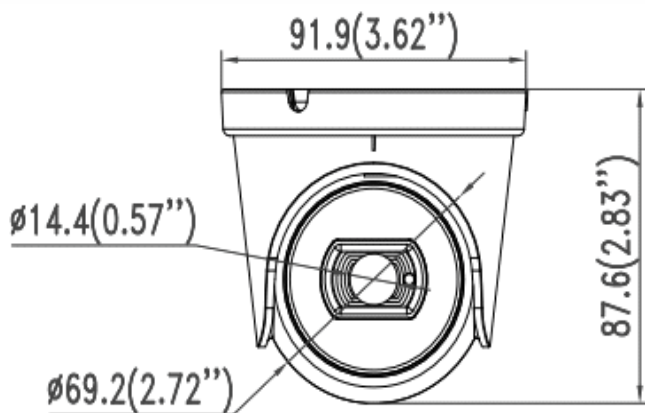
Deep base

### Lens

Focal Length	6mm fixed lens
Angle of View	H: 80°
Lens Type	Fixed Iris
Mount Type	M12

### General

IP Rating	IP66
Casing	Metal
Power Supply	DC12V(+/-10%)
Power Consumption	IR OFF:85mA / IR ON:320mA
Working Temperature / Humidity	-40~+60°C
Dimensions(W×D×H)	∅91.9*87.6mm
Weight	330g



unit: mm (inch)

# SeeThru Elite



## STP-FD20EX12-1440P

### Camera

Image Sensor	1/3" CMOS Sensor
Signal System	NTSC/PAL
Effective Pixels	2560 (H) x 1440 (V)
Electronic Shutter	AUTO
Synchronization	External
Min. Illumination	0.01Lux
Video Frame Rate	PAL/NTSC:25/30fps
Video Output	AHD / TVI / CVI / CVBS

### Camera Features

S/N Ratio	>41dB
Noise Reduction	2D DNR
Day&Night	Color / B&W/ AUTO / EXT
White Balance	Auto / Manual
AGC	Auto
IR LED	18pcs SMD IR
IR Range	Up to 20m

### Key features

- 4MP@25fps, 1/2.7" CMOS Sensor
- AHD / TVI / CVI / CVBS Output
- 12mm Fixed Lens
- IP66
- Housing Material: Metal

### Features



IR-Cut Filter  
Removable



Back Light  
Compensation



Digital Noise  
Reduction



Cmos Scan

### Accessories



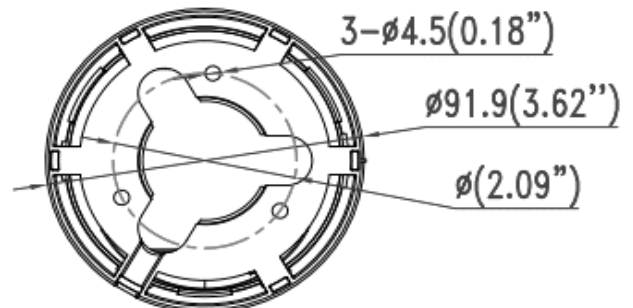
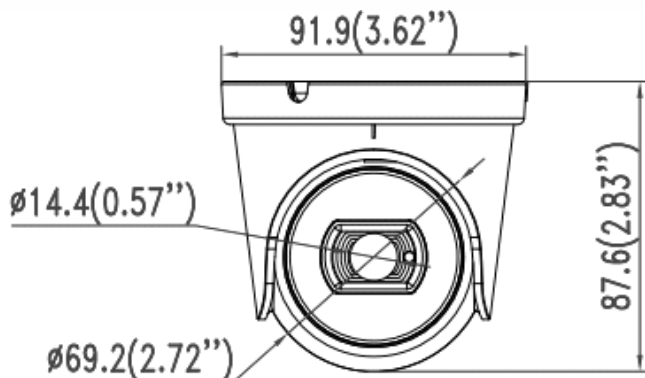
Deep base

### Lens

Focal Length	12mm fixed lens
Lens Type	Fixed Iris
Mount Type	M12

### General

IP Rating	IP66
Casing	Metal
Power Supply	DC12V(+/-10%)
Power Consumption	IR OFF:85mA / IR ON:370mA
Working Temperature / Humidity	-40~+60°C
Dimensions(W×D×H)	∅91.9*87.6mm
Weight	330g



unit: mm (inch)



# SeeThru Elite



## STP-VB30IR-1440P

### Camera

Image Sensor	1/2.5" CMOS Sensor
Signal System	NTSC/PAL
Effective Pixels	2560 (H) x 1440 (V)
Electronic Shutter	AUTO/ 1/50 (1/60) -1/50,000sec
Synchronization	External
Min. Illumination	0.01Lux
Video Frame Rate	PAL/NTSC:25/30fps
Video Output	AHD / TVI / CVI / CVBS

### Camera Features

S/N Ratio	>41dB
Noise Reduction	2D DNR
Day&Night	Color / B&W/ AUTO / EXT
White Balance	Auto / Manual
OSD	English / Chinese
AGC	5 ( 1~8 )
IR LED	30pcs SMD LED
IR Range	up to 30m

### Key features

- 4MP@25fps, 1/2.5" CMOS Sensor
- AHD / TVI / CVI / CVBS Output
- 2.8-12mm Motorized Lens
- IP66
- Housing Material: Metal
- Smart IR,DWDR, 3D DNR

### Features



IR-Cut Filter  
Removable



Back Light  
Compensation



Digital Noise  
Reduction



Cmos Scan



On-screen  
Display

### Lens

Focal Length	2.8-12mm Motorized Lens
Lens Type	Fixed Iris
Mount Type	Φ14

### General

IP Rating	IP66
Power Supply	DC12V(+/-10%)
Power Consumption	IR OFF:85mA / IR ON:430mA
Working Temperature / Humidity	-40~+60°C
Dimensions(W×D×H)	Φ 67X210.8mm
Weight	780g

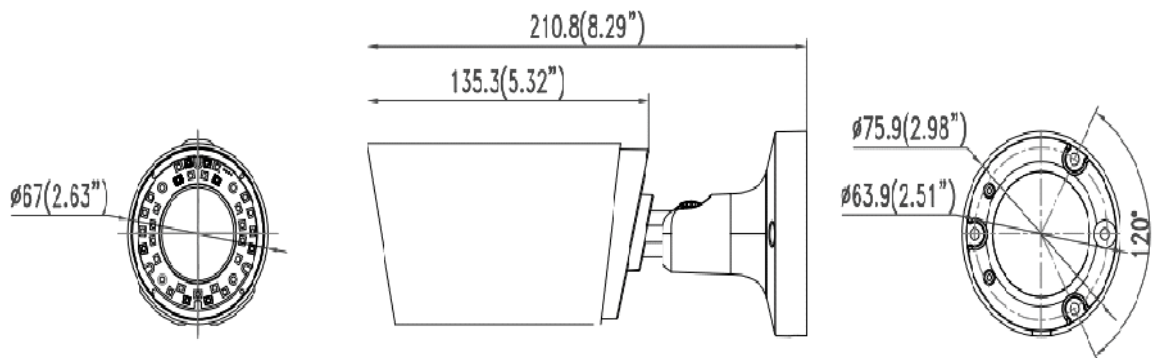
### Accessories



Deep base



Deep base



unit: mm (inch)

# See Thru Elite



## STP-VD30IR-1440P

### Camera

Image Sensor	1/2.5" CMOS Sensor
Signal System	NTSC/PAL
Effective Pixels	2560 (H) x 1440 (V)
Electronic Shutter	AUTO/ 1/50 (1/60) - 1/50,000sec
Synchronization	External
Min. Illumination	0.01Lux
Video Frame Rate	PAL/NTSC:25/30fps
Video Output	AHD / TVI / CVI / CVBS

### Camera Features

S/N Ratio	>41dB
Noise Reduction	2D DNR
Day&Night	Color / B&W/ AUTO / EXT
White Balance	Auto / Manual
OSD	English / Chinese
AGC	5 ( 1~8 )
IR LED	24pcs SMD LED
IR Range	up to 30m

### Key features

- 4MP@25fps, 1/2.5" CMOS Sensor
- AHD / TVI / CVI / CVBS Output
- 2.8-12mm Motorized Lens
- IP66
- Housing Material: Metal
- Smart IR, DWDR, 3D DNR

### Features



IR-Cut Filter  
Removable



Back Light  
Compensation



Digital Noise  
Reduction



Cmos Scan



On-screen  
Display

### Accessories



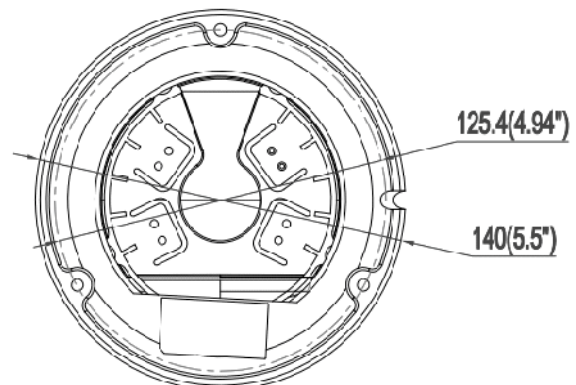
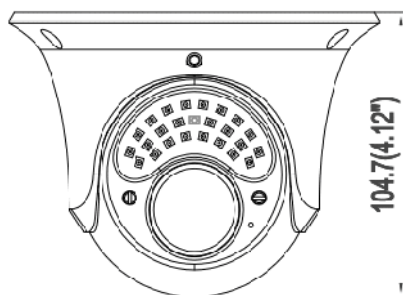
Deep base

### Lens

Focal Length	2.8-12mm Motorized Lens
Lens Type	Fixed Iris
Mount Type	Φ14

### General

IP Rating	IP66
Power Supply	DC12V(+/-10%)
Power Consumption	IR OFF:85mA / IR ON:400mA
Working Temperature / Humidity	-40~+60°C
Dimensions(W×D×H)	∅ 140(W)x105(H)mm
Weight	780g



unit: mm (inch)

# SeeThru Elite



## STP-FB20EX3.6-1960P

### Camera

Image Sensor	1/2.7" CMOS Sensor
Signal System	NTSC/PAL
Effective Pixels	2592(H) x 1944 (V)
Electronic Shutter	AUTO/ 1/50 (1/60) -1/50,000sec
Synchronization	Internal
Min. Illumination	0.01Lux
Video Frame Rate	PAL/NTSC:25/30fps
Video Output	AHD / TVI / CVI / CVBS

### Camera Features

S/N Ratio	>41dB
Noise Reduction	2DNR
Day&Night	Color / B&W/ AUTO / EXT
White Balance	Manual/Auto
AGC	Auto
IR LED	12pcs SMD IR
IR Range	Up to 20m

### Lens

Focal Length	3.6mm fixed lens
Lens Type	Fixed Iris
Mount Type	M12

### General

IP Rating	IP66
Casing	Metal
Power Supply	DC12V(+/-10%)
Power Consumption	IR OFF:85mA / IR ON:320mA
Working Temperature / Humidity	-40~+60°C
Dimensions(W×D×H)	152*67.5*57.5mm
Weight	365g

### Key features

- 5MP@20fps, 1/2.7" CMOS Sensor
- AHD / TVI / CVI / CVBS Output
- 3.6mm Fixed Lens
- IP66
- Housing Material: Metal

### Features



IR-Cut Filter  
Removable



Back Light  
Compensation



Digital Noise  
Reduction

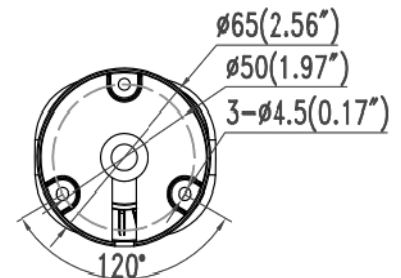
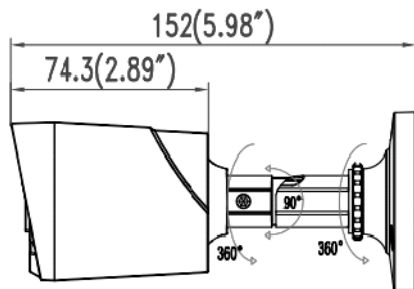
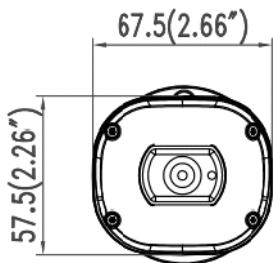


Cmos Scan

### Accessories



Deep base



unit: mm (inch)

# SeeThru Elite



## STP-FD20EX3.6-1960P

### Camera

Image Sensor	1/2.7" CMOS Sensor
Signal System	NTSC/PAL
Effective Pixels	2592(H) x 1944 (V)
Electronic Shutter	AUTO/ 1/50 (1/60) -1/50,000sec
Synchronization	Internal
Min. Illumination	0.01Lux
Video Frame Rate	PAL/NTSC:25/30fps
Video Output	AHD / TVI / CVI / CVBS

### Camera Features

S/N Ratio	>41dB
Noise Reduction	2DNR
Day&Night	Auto
White Balance	Auto
AGC	Auto
IR LED	18pcs SMD IR
IR Range	Up to 20m

### Lens

Focal Length	3.6mm fixed lens
Angle of View	H: 80°
Lens Type	Fixed Iris
Mount Type	M12

### General

IP Rating	IP66
Casing	Metal
Power Supply	DC12V(+/-10%)
Power Consumption	IR OFF:85mA / IR ON:320mA
Working Temperature / Humidity	-40~+60°C
Dimensions(W×D×H)	∅91.9*87.6mm
Weight	330g

### Key features

- 5MP@20fps, 1/2.7" CMOS Sensor
- AHD / TVI / CVI / CVBS Output
- 3.6mm Fixed Lens
- IP66
- Housing Material: Metal

### Features



IR-Cut Filter  
Removable



Back Light  
Compensation



Digital Noise  
Reduction

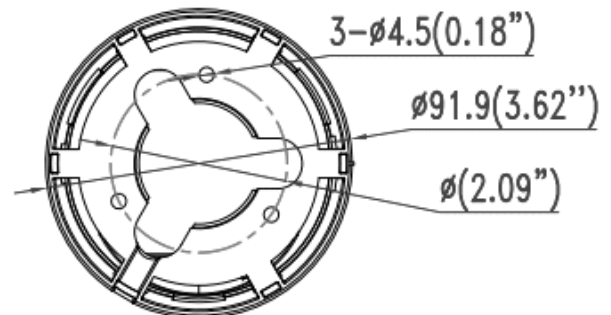
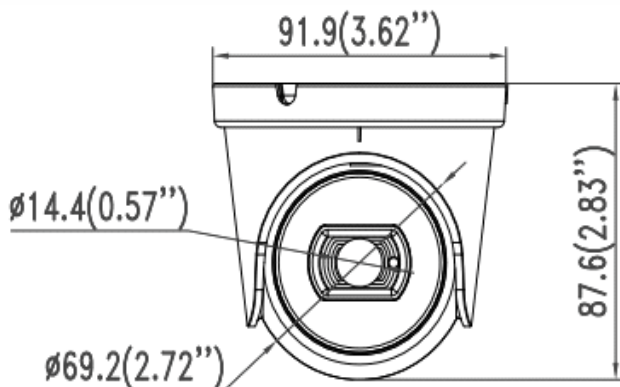


Cmos Scan

### Accessories



Deep base



unit: mm (inch)

# See Thru Elite



## STP-FB20EX6-1960P

### Camera

Image Sensor	1/2.7" CMOS Sensor
Signal System	NTSC/PAL
Effective Pixels	2592(H) x 1944 (V)
Electronic Shutter	AUTO/ 1/50 (1/60) -1/50,000sec
Synchronization	Internal
Min. Illumination	0.01Lux
Video Frame Rate	PAL/NTSC:25/30fps
Video Output	AHD / TVI / CVI / CVBS

### Camera Features

S/N Ratio	>41dB
Noise Reduction	2DNR
Day&Night	Auto
White Balance	Auto
AGC	Auto
IR LED	2pcs ARRAY LED
IR Range	Up to 20m

### Lens

Focal Length	6mm fixed lens
Lens Type	Fixed Iris
Mount Type	M12

### General

IP Rating	IP66
Casing	Metal
Power Supply	DC12V(+/-10%)
Power Consumption	IR OFF:85mA / IR ON:640mA
Working Temperature / Humidity	-40~+60°C
Dimensions(W×D×H)	226*86.7*81.6mm
Weight	850g

### Key features

- 5MP@20fps, 1/2.7" CMOS Sensor
- AHD / TVI / CVI / CVBS Output
- 6mm Fixed Lens
- IP66
- Housing Material: Metal

### Features



IR-Cut Filter  
Removable



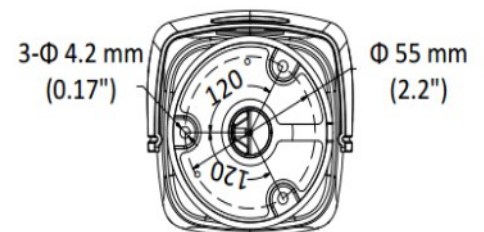
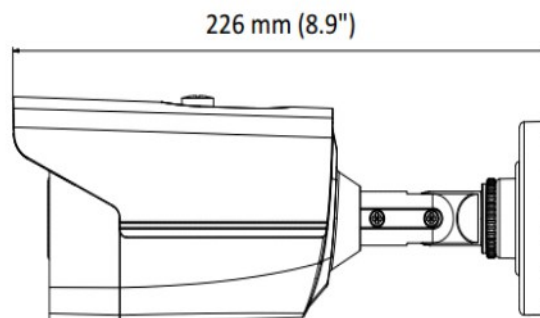
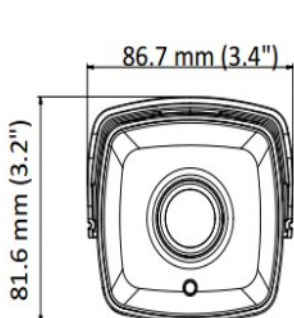
Back Light  
Compensation



Digital Noise  
Reduction



Cmos Scan



unit: mm (inch)



# SeeThru Elite



## STP-FB20EX12-1960P

### Camera

Image Sensor	1/2.7" CMOS Sensor
Signal System	NTSC/PAL
Effective Pixels	2592(H) x 1944 (V)
Electronic Shutter	AUTO/ 1/50 (1/60) -1/50,000sec
Synchronization	Internal
Min. Illumination	0.01Lux
Video Frame Rate	PAL/NTSC:25/30fps
Video Output	AHD / TVI / CVI / CVBS

### Camera Features

S/N Ratio	>41dB
Noise Reduction	2DNR
Day&Night	Auto
White Balance	Auto
AGC	Auto
IR LED	2pcs ARRAY LED
IR Range	Up to 40m

### Lens

Focal Length	12mm fixed lens
Lens Type	Fixed Iris
Mount Type	M12

### General

IP Rating	IP66
Casing	Metal
Power Supply	DC12V(+/-10%)
Power Consumption	IR OFF:85mA / IR ON:640mA
Working Temperature / Humidity	-40~+60°C
Dimensions(W×D×H)	226*86.7*81.6mm
Weight	850g

### Key features

- 5MP@20fps, 1/2.7" CMOS Sensor
- AHD / TVI / CVI / CVBS Output
- 12mm Fixed Lens
- IP66
- Housing Material: Metal

### Features



IR-Cut Filter  
Removable



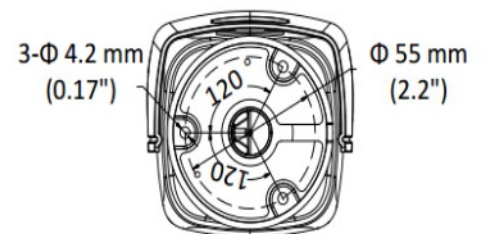
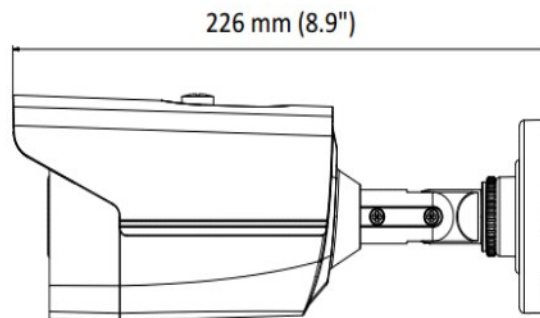
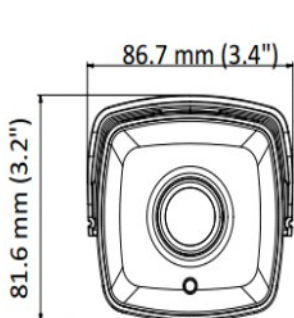
Back Light  
Compensation



Digital Noise  
Reduction



Cmos Scan



unit: mm (inch)

# See Thru Elite



## STP-FB20EX16-1960P

### Camera

Image Sensor	1/2.7" CMOS Sensor
Signal System	NTSC/PAL
Effective Pixels	2592(H) x 1944 (V)
Electronic Shutter	AUTO/ 1/50 (1/60) -1/50,000sec
Synchronization	Internal
Min. Illumination	0.01Lux
Video Frame Rate	PAL/NTSC:25/30fps
Video Output	AHD / TVI / CVI / CVBS

### Camera Features

S/N Ratio	>41dB
Noise Reduction	2DNR
Day&Night	Auto
White Balance	Auto
AGC	Auto
IR LED	4 pcs ARRAY LED
IR Range	Up to 80m

### Lens

Focal Length	16mm fixed lens
Lens Type	Fixed Iris
Mount Type	M12

### General

IP Rating	IP66
Casing	Metal
Power Supply	DC12V(+/-10%)
Power Consumption	IR OFF:85mA / IR ON:640mA
Working Temperature / Humidity	-40~+60°C
Dimensions(W×D×H)	226*86.7*81.6mm
Weight	850g

### Key features

- 5MP@20fps, 1/2.7" CMOS Sensor
- AHD / TVI / CVI / CVBS Output
- 16mm Fixed Lens
- IP66
- Housing Material: Metal

### Features



IR-Cut Filter  
Removable



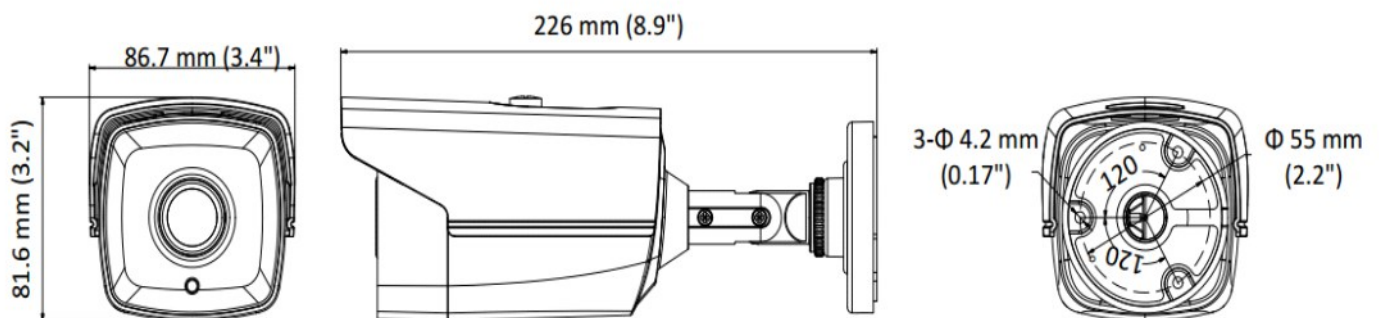
Back Light  
Compensation



Digital Noise  
Reduction



Cmos Scan



unit: mm (inch)

# SeeThru Elite



## STP-FD20EX6-1960P

### Camera

Image Sensor	1/2.7" CMOS Sensor
Signal System	NTSC/PAL
Effective Pixels	2592(H) x 1944 (V)
Electronic Shutter	AUTO/ 1/50 (1/60) -1/50,000sec
Synchronization	Internal
Min. Illumination	0.01Lux
Video Frame Rate	PAL/NTSC:25/30fps
Video Output	AHD / TVI / CVI / CVBS

### Camera Features

S/N Ratio	>41dB
Noise Reduction	2DNR
Day&Night	Auto
White Balance	Auto
AGC	Auto
IR LED	18pcs SMD IR
IR Range	Up to 20m

### Lens

Focal Length	6mm fixed lens
Angle of View	H: 80°
Lens Type	Fixed Iris
Mount Type	M12

### General

IP Rating	Ip66
Casing	Metal
Power Supply	DC12V(+/-10%)
Power Consumption	IR OFF:85mA / IR ON:370mA
Working Temperature / Humidity	-40~+60°C
Dimensions(W×D×H)	∅91.9*87.6mm
Weight	330g

### Key features

- 5MP@20fps, 1/2.7" CMOS Sensor
- AHD / TVI / CVI / CVBS Output
- 6mm Fixed Lens
- IP66
- Housing Material: Metal

### Features



IR-Cut Filter  
Removable



Back Light  
Compensation



Digital Noise  
Reduction

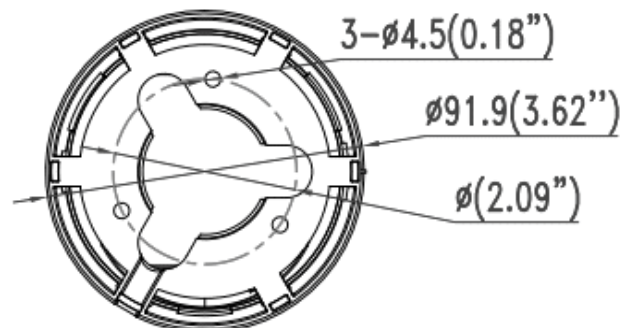
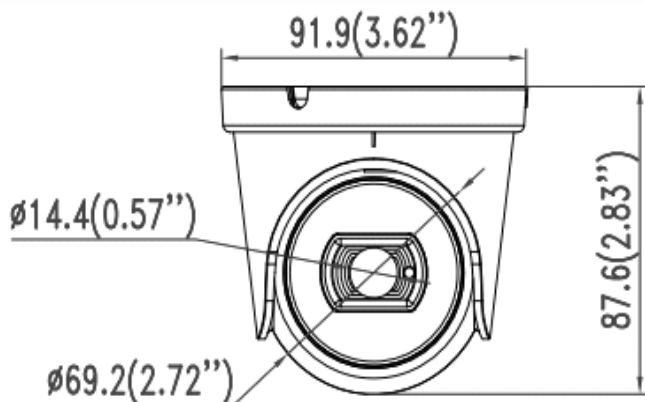


Cmos Scan

### Accessories



Deep base



unit: mm (inch)

# SeeThru Elite



## STP-FD20EX12-1960P

### Camera

Image Sensor	1/3" CMOS Sensor
Signal System	NTSC/PAL
Effective Pixels	2592(H) x 1944 (V)
Electronic Shutter	AUTO
Synchronization	External
Min. Illumination	0.01Lux
Video Frame Rate	PAL/NTSC:25/30fps
Video Output	AHD / TVI / CVI / CVBS

### Camera Features

S/N Ratio	>41dB
Noise Reduction	2D DNR
Day&Night	Color / B&W/ AUTO / EXT
White Balance	Auto / Manual
AGC	Auto
IR LED	18pcs SMD IR
IR Range	Up to 40m

### Lens

Focal Length	12mm fixed lens
Lens Type	Fixed Iris
Mount Type	M12

### General

IP Rating	IP66
Casing	Metal
Power Supply	DC12V(+/-10%)
Power Consumption	IR OFF:85mA / IR ON:370mA
Working Temperature / Humidity	-40~+60°C
Dimensions(W×D×H)	∅91.9*87.6mm
Weight	370g

### Key features

- 5MP@20fps, 1/2.7" CMOS Sensor
- AHD / TVI / CVI / CVBS Output
- 12mm Fixed Lens
- IP66
- Housing Material: Metal

### Features



IR-Cut Filter  
Removable



Back Light  
Compensation



Digital Noise  
Reduction

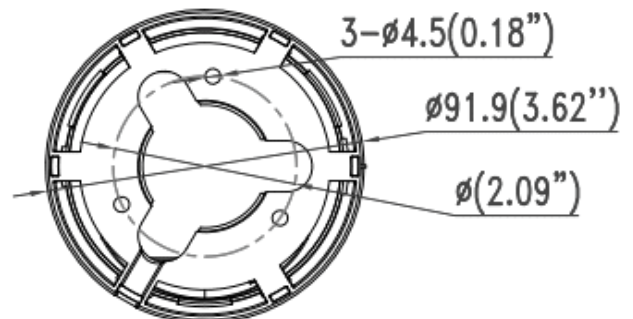
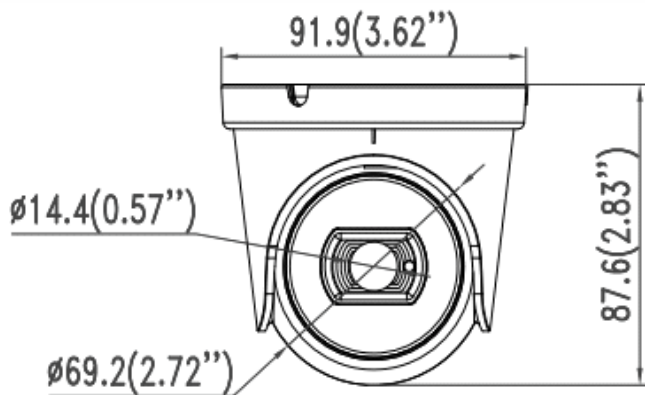


Cmos Scan

### Accessories



Deep base



unit: mm (inch)

# SeeThru Elite



## STP-VB30IR-1960P

### Camera

Image Sensor	1/2.5" CMOS Sensor
Signal System	NTSC/PAL
Effective Pixels	2592(H) x 1944 (V)
Electronic Shutter	AUTO/ 1/50 (1/60) -1/50,000sec
Synchronization	External
Min. Illumination	0.01Lux
Video Frame Rate	PAL/NTSC:25/30fps
Video Output	AHD / TVI / CVI / CVBS

### Camera Features

S/N Ratio	>41dB
Noise Reduction	3D DNR
Day&Night	Color / B&W/ AUTO / EXT
White Balance	Auto / Manual
OSD	English / Chinese
AGC	5 ( 1~8 )
IR LED	30pcs SMD LED
IR Range	up to 30m

### Lens

Focal Length	2.8-12mm Motorized Lens
Lens Type	Fixed Iris
Mount Type	Φ14

### General

IP Rating	IP66
Power Supply	DC12V(+/-10%)
Power Consumption	IR OFF:85mA / IR ON:430mA
Working Temperature / Humidity	-40~+60°C
Dimensions(W×D×H)	Φ 67X210.8mm
Weight	780g

### Key features

- 5MP@20fps, 1/2.5" CMOS Sensor
- AHD / TVI / CVI / CVBS Output
- 2.8-12mm Motorized Lens
- IP66
- Housing Material: Metal
- Smart IR,DWDR, 3D DNR

### Features



IR-Cut Filter  
Removable



Back Light  
Compensation



Digital Noise  
Reduction



Cmos Scan



On-screen  
Display

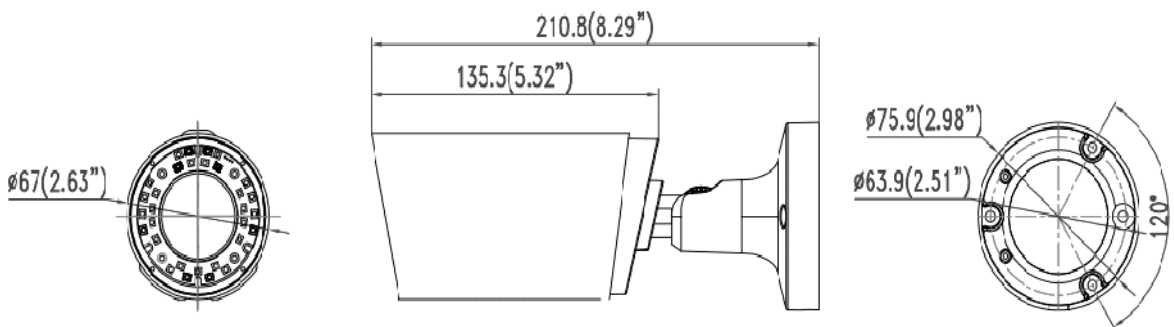
### Accessories



Deep base



Deep base



unit: mm (inch)



# SeeThru Elite



## STP-VD30IR-1960P

### Camera

Image Sensor	1/2.5" CMOS Sensor
Signal System	NTSC/PAL
Effective Pixels	2592(H) x 1944 (V)
Electronic Shutter	AUTO/ 1/50 (1/60) -1/50,000sec
Synchronization	External
Min. Illumination	0.01Lux
Video Frame Rate	PAL/NTSC:25/30fps
Video Output	AHD / TVI / CVI / CVBS

### Camera Features

S/N Ratio	>41dB
Noise Reduction	3D DNR
Day&Night	Color / B&W/ AUTO / EXT
White Balance	Auto / Manual
OSD	English / Chinese
AGC	5 ( 1~8 )
IR LED	24pcs SMD LED
IR Range	up to 30m

### Key features

- 5MP@20fps, 1/2.5" CMOS Sensor
- AHD / TVI / CVI / CVBS Output
- 2.8-12mm Motorized Lens
- IP66
- Housing Material: Metal
- Smart IR,DWDR, 3D DNR

### Features



IR-Cut Filter  
Removable



Back Light  
Compensation



Digital Noise  
Reduction



Cmos Scan



On-screen  
Display

### Lens

Focal Length	2.8-12mm Motorized Lens
Lens Type	Fixed Iris
Mount Type	Φ14

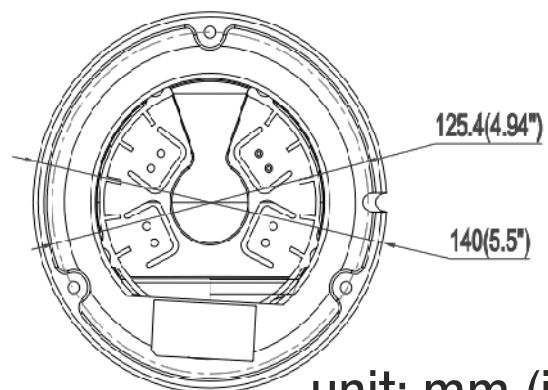
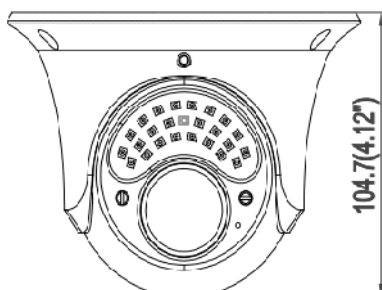
### General

IP Rating	IP66
Power Supply	DC12V(+/-10%)
Power Consumption	IR OFF:85mA / IR ON:400mA
Working Temperature / Humidity	-40~+60°C
Dimensions(W×D×H)	Φ 140x105(H)mm
Weight	780g

### Accessories



Deep base



unit: mm (inch)

# SeeThru Elite



## Key features

- 1080P, 1/3" CMOS Sensor
- AHD / TVI / CVI / CVBS Output
- Keep original analog system
- Real time transmission, lossless video;
- High definition 1080P,20X zoom
- Long distance transmission up to 500 meters
- OSD menu available/IR distance 100M
- 6" Total metal body construction, IP66 rate protection
- IR illumination&power consumption is variable dependant on zoom factor

## Features



IR-Cut Filter  
Removable



Back Light  
Compensation



Digital Noise  
Reduction



Cmos Scan

# STP-PZ150IR-1080P

## Camera

Image Sensor	1/3" Sony CMOS Sensor
Signal System	NTSC/PAL
Effective Pixels	1920(H) x 1080 (V)
Min. Illumination	Color: 0.5Lux \ B/W: 0.05Lux
Video Frame Rate	PAL/NTSC:25/30fps
Video Output	AHD / TVI / CVI / CVBS

## Camera Features

S/N Ratio	≥50dB
Noise Reduction	2D&3D DNR
Day&Night	IR-CUT
White Balance	Indoor/Outdoor/Auto/Manual
BLC	Support
IR LED	Array 42Mil
IR Range	Up to 100 m

## Lens

Focal Length	20X f=4.7mm~94mm
Lens Type	F1.6~F3.0
Horizontal Rotation Speed	0.02 ~200°/s
Horizontal Rotation Range	360°
Tilt Rotation Speed	0.02 ~100°/s
Tilt Rotation Range	93°
Auto Flip	Horizontal 180°, Vertical 93°
Ratio Speed	Support
Preset Points	220
Go to Preset Speed	1-64 grades setting available
360° Scan	User programmable
A-B Scan	User programmable
A-B Scan Speed	1-64 grades setting available
Dwell Preset	1-60s interval available
Guard Tours	3 groups
Guard Points	Max.16 points, dwell time user selectable
OSD Menu	Chinese, English
PWR on Action	Memory/Pattern 1/Tour 1/360 scan/AB scan/ Preset 1-8/None
Park Time	1-60mins setting available
Pan and Tilt position display	Support
Baud Rate	1200/2400/4800/9600bps
Communication	RS485 /Coaxial cable

## General

Lightning Protection	Transient voltage 6000V
Power Supply	DC12V 3A
Power Consumption	≤25W
Working Temperature / Humidity	Indoor: 0°~ +40° Outdoor: -40°~ +60°
Dimensions(W×D×H)	280x280x420mm

# SeeThru Elite



## Key features

- 1080P, 1/3" CMOS Sensor
- AHD / TVI / CVI / CVBS Output
- Keep original analog system
- Real time transmission ,lossless video;
- High definition 1080P,20X zoom
- Long distance transmission up to 500 meters
- OSD menu available/IR distance 150M
- 7" Total metal body construction,IP66 rate protection
- IR illumination&power consumption is variable dependant on zoom factor

## Features



IR-Cut Filter  
Removable



Back Light  
Compensation



Digital Noise  
Reduction



Cmos Scan

# STP-PZ100IR-1080P

## Camera

Image Sensor	1/3" Sony CMOS Sensor
Signal System	NTSC/PAL
Effective Pixels	1920(H) x 1080 (V)
Min. Illumination	Color: 0.5Lux \ B/W: 0.05Lux
Video Frame Rate	PAL/NTSC:25/30fps
Video Output	AHD / TVI / CVI / CVBS

## Camera Features

S/N Ratio	≥50dB
Noise Reduction	2D&3D DNR
Day&Night	IR-CUT
White Balance	Indoor/Outdoor/Auto/Manual
BLC	Support
IR LED	Array 42Mil
IR Range	Up to 150 meters



## Lens

Focal Length	20X f=4.7mm~94mm
Lens Type	F1.6~F3.0
Horizontal Rotation Speed	0.02 ~200°/s
Horizontal Rotation Range	360°
Tilt Rotation Speed	0.02 ~100°/s
Tilt Rotation Range	93°
Auto Flip	Horizontal 180°, Vertical 93°
Ratio Speed	Support
Preset Points	220
Go to Preset Speed	1-64 grades setting available
360° Scan	User programmable
A-B Scan	User programmable
A-B Scan Speed	1-64 grades setting available
Dwell Preset	1-60s interval available
Guard Tours	3 groups
Guard Points	Max.16 points, dwell time user selectable
OSD Menu	Chinese, English
PWR on Action	Memory/Pattern 1/Tour 1/360 scan/AB scan/ Preset 1-8/None
Park Time	1-60mins setting available
Pan and Tilt position display	Support
Baud Rate	1200/2400/4800/9600bps
Communication	RS485 /Coaxial cable

## General

Lightning Protection	Transient voltage 6000V
Power Supply	DC12V 3A
Power Consumption	≤25W
Working Temperature / Humidity	Indoor: 0°~ +40°    Outdoor: -40°~ +60°
Dimensions(W×D×H)	320x310x440
Weight	5.5KG


# SeeThru Elite

Model	STP-UR4S1-1960P	STP-UR8S1-1960P
Picture		
Chipset	Hi3521A	Hi3531A
<b>Video &amp; Audio Input</b>		
Video Input	4ch(1.0Vp-p, 75 Ω)	8ch(1.0Vp-p, 75 Ω)
TVI	5MP, 3MP, 1080P, 720P	
CVI	4MP, 1080P, 720P	
AHD	5MP, 4MP, 1080P, 720P	
IPC	Support	
CVBS	up to 8ch when no analog input, resolution up to 5MP	up to 16ch when no analog input, resolution up to 5MP
Audio Input	4-ch, RCA(2.0 Vp-p, 1 KΩ)	
Two-Way Audio	1-ch, multiplex with Audio Input(RCA)	
<b>Video &amp; Audio Output</b>		
HDMI	1ch, resolution: 1920×1080/60Hz, 1440×900/60Hz, 1280×1024/60Hz, 1280×720/60Hz, 1024×768/60Hz	1ch, resolution: 4K(3840×2160)/30Hz, 1920×1080/60Hz, 1280×1024/60Hz, 1280×720/60Hz, 1024×768/60Hz
VGA	1ch, resolution: 1920×1080/60Hz, 1280×1024/60Hz, 1280×720/60Hz, 1024×768/60Hz	
CVBS	1-ch, BNC(1.0Vp-p, 75Ω), resolution: PAL: 704x576, NTSC: 704x480	
Audio Output	1-ch, RCA(Linear, 1kΩ)	
<b>Display</b>		
Multi-screen display	4CH: 1/4/6/8	8CH: 1/4/6/8/9/16
<b>Recording</b>		
Video Compression	H.264+/H.264/H.265/H.265+	
Encoding Resolution	5MP/4MP/3MP/1080P/1080P Lite/720P/960H/D1	
Frame Rate(fps)	Main stream : 4CH 5MP@12fps, 4MP@15fps/1080P/1080P Lite/720P/960H/D1@25fps (P) /30fps (N)	Main stream : 8CH 5MP@12fps, 4MP@15fps/1080P/1080P Lite/720P/960H/D1@25fps (P) /30fps (N)
Video Bit Rate	11Kbps~5727Kbps	
Record Mode	Manual, Schedule, Alarm	
Audio Compression	G.711a	
Audio Bit Rate	64kbps	
<b>Playback &amp; Backup</b>		
Playback Number	4CH Playback	8CH Playback
Playback Mode	Normal / Time Division / Label / Event / Picture playback	
Backup Mode	USB Device/Network	
<b>Advanced Features</b>		
Intelligent Detection	4CH Line Crossing&Area Intrusion	8CH Line Crossing&Area Intrusion
Smart Playback	Line Crossing / Area Intrusion / Motion Detection	
Cloud Storage	Support	Support
Cloud Upgrade	Support	Support
<b>Network</b>		
Ethernet	1 RJ-45 10 /100/1000 Mbps self-adaptive Ethernet interface	
Network Function	HTTPs, HTTP, TCP/IP, Ipv4, UPnP, RTSP, RTPC, UDP, SMTP, SNMP, Multicast, IGMP, NTP, DHCP, DNS IP Filter, DDNS, FTP, P2P	
Max. User Access	32 users	
Smart Phone	iPhone, iPad, Android	
<b>Hard Disk</b>		
SATA	1 SATA interfaces	1 SATA interfaces
Capacity	Up to 8TB capacity for each HDD	
<b>External Interface</b>		
Serial Interface	Standard RS-485(half-duplex)	
USB Interface	Front panel: 1 × USB 2.0, Rear panel: 1 × USB 2.0	
<b>General</b>		
Power Supply	DC12V, 1.5A	DC12V, 1.5A
Power Consumption	≤15W(without HDD)	≤20W(without HDD)
Working Environment	-10°C~+55°C / 10%~90%RH	
Dimension (W×D×H)	250 x 230 x 45mm	250 x 230 x 45mm
Weight(without HDD)	1.5kg	1.5kg

## Key features

- Support AHD/TVI/CVI/CVBS/IP Cameras
- Support AHD/TVI/CVI cameras up to 2MP
- Support Smart Detection & Smart Playback
- Support Extra IP Channels
- Support H.264+/H.264
- Support Time Division & Instant Playback
- Support Google Drive & Dropbox Cloud storage

# SeeThru Elite

<b>Model</b>	<b>STP-UR32S4-1080P</b>
Picture	
Chipset	Hi3531A*2
<b>Video &amp; Audio Input</b>	
Analog video Input	32-ch, BNC(1.0Vp-p, 75 Ω)
HDTVI input	1080P, 720P
CVI input	1080P, 720P
AHD input	1080P, 720P
CVBS input	Support
IP video input	up to 32ch when no analog input, resolution up to 2MP
Audio Input	16-ch, RCA(2.0 Vp-p, 1 KΩ)
Two-way audio input	1-ch, multiplex with Audio Input(RCA)
<b>Video &amp; Audio Output</b>	
HDMI	2-ch, resolution:1920×1080/60Hz,1440×900/60Hz,1280×1024/60Hz,1280×720/60Hz,1024×768/60Hz,
VGA	1-ch, resolution: 1920×1080/60Hz,1280×1024/60Hz, 1280×720/60Hz, 1024×768/60Hz
CVBS output	1-ch, BNC(1.0Vp-p,75Ω), resolution: PAL:704x576,NTSC:704x480
Audio output	1-ch, RCA(Linear, 1kΩ)
<b>Display</b>	
Multi-screen display	32CH: 1/4/6/8/9/16/25/36
<b>Recording</b>	
Video Compression	H.264+/H.264
Encoding resolution	1080P/1080P Lite/720P/960H/D1
Frame rate(fps)	"Main stream : 32CH 1080P@15fps/720P@25fps (P) /30fps (N) 960H/D1@25fps (P) /30fps (N) "
Video bit rate	11Kbps~ 4582Kbps
Audio compression	G.711a
Audio bit rate	64kbps
<b>Playback &amp; Backup</b>	
Playback Number	8ch Playback
Playback Mode	Normal / Time Division / Label / Event / Picture playback
Backup Mode	USB Device/Network
<b>Network</b>	
Network Function	HTTPs, HTTP, TCP/IP, Ipv4, UPnP, RTSP, RTCP, UDP, SMTP, SNMP, NTP, DHCP, DNS IP Filter, DDNS, FTP, P2P
Max. User Access	32 users
Smart Phone	iPhone, iPad, Android
<b>Hard Disk</b>	
SATA	4 SATA interfaces
Capacity	Up to 8TB capacity for each HDD
eSata	1 x eSATA
<b>External Interface</b>	
Network interface	1x RJ-45 10 / 100 / 1000 Mbps self-adaptive Ethernet interface
USB interface	Front panel: 2 × USB 2.0,Rear panel: 1 × USB 2.0
Serial interface	1 x RS-232, 2 x RS-485 Half Duplex
Alarm input	16ch
Alarm output	8ch
<b>General</b>	
Power Supply	AC 110~220V
Power Consumption	≤30W(without HDD)
Working Environment	-10°C~+55°C / 10%~90%RH
Dimension (W×D×H)	440×452×90mm
Weight(without HDD)	7.8kg

## Key features

- Support AHD/TVI/CVI/CVBS Cameras
- Support AHD/TVI/CVI cameras up to 2MP
- Support Time Division & Instant Playback
- Support HDD quota and group modes
- Support Google Drive & Dropbox Cloud storage
- Support H.264+/H.264







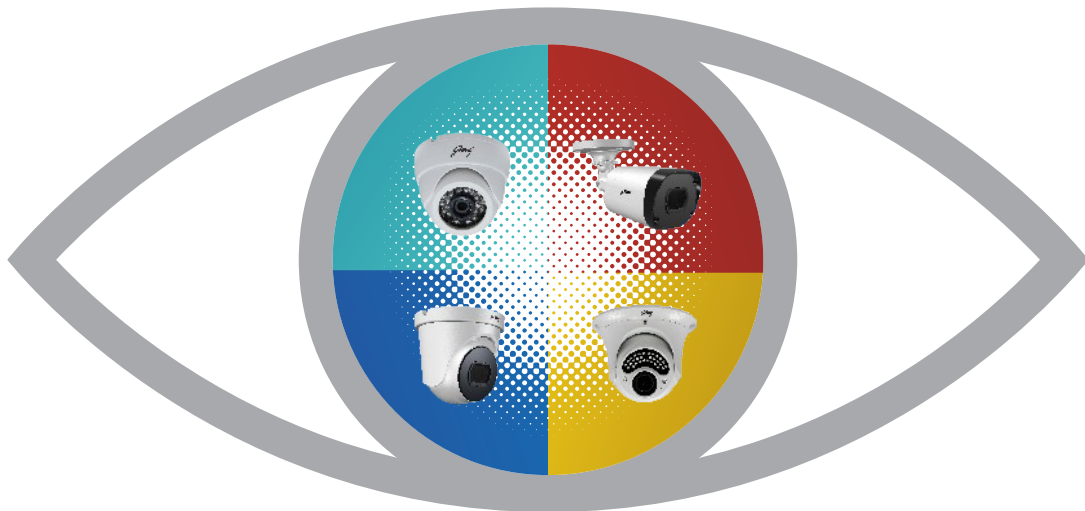




# SeeThru

WIDE DYNAMIC RANGE OF CCTV & DVR

*Seeing is true believing*



 Godrej Security Solutions, Plant No.17, Pirojshanagar, Vikhroli, Mumbai - 400079.

 Toll Free: 1800 108 1400 (Sales) | 1800 209 9955 (Service)  [secure@godrej.com](mailto:secure@godrej.com)

 [www.godrejsecure.com](http://www.godrejsecure.com)   [@godrejsecure](https://twitter.com/godrejsecure)

**Disclaimer:** The contents and information on the catalogue is for general purposes and is provided on “as is” basis. All warranties, recommendations and representations of any kind mentioned herein are disclaimed, including the implied warranties of merchantability and fitness for a particular use. The Company disclaims any claims, losses, demands, or damages of any kind whatsoever arising out of or resulting by reason or in consequence of any illegal breaking in Homes / Offices any theft, fire, robbery, fraud or other wrongful act done by any third Party with regard to CCTVs/DVR including but not limited to direct, indirect, incidental, or consequential loss or damages, compensatory damages, injury, economic loss, or otherwise resulting from theft, fire, robbery, fraud or other wrongful act done by any third Party. The specifications, prices and features of the products may be changed at the sole discretion of the Company without prior notice. ISO 9001:2015/ISO 14001:2015/BS OHSAS 18001:2007. Products Marketed and Serviced by Godrej & Boyce Mfg. Co. Ltd.