



**KITCHEN FITTINGS  
AND SYSTEMS**

SMART CONVENIENCE FOR THE INDIAN KITCHEN.

# EFFORTLESS KITCHEN PERFORMANCE



PRODUCT CATALOGUE





# INDEX

---

SLIM ERGO DRAWER SYSTEMS 01 - 10

---

CORNER SOLUTIONS 11 - 29

---

TALL UNITS 30 - 36

---

SOFT PRO SYSTEMS 37 - 44

---

BASKETS 45 - 66

---

MIDWAY SERIES 67 - 72

---

ACCESSORIES 73 - 76

---

CHANNELS 77 - 85

---

CABINET HINGES 86 - 97

---

# SLIM ERGO DRAWER SYSTEMS



**THE  
REVOLUTIONARY  
NEW SLIM ERGO**





# SLIMERGO

## Drawer System

### Key Features:

- Clean Design
- Sleek Side Panels
- Smooth Operation
- Easy Installation
- Platform Based Design

### Application:

- Kitchen Drawers & Wooden Cabinet Drawers

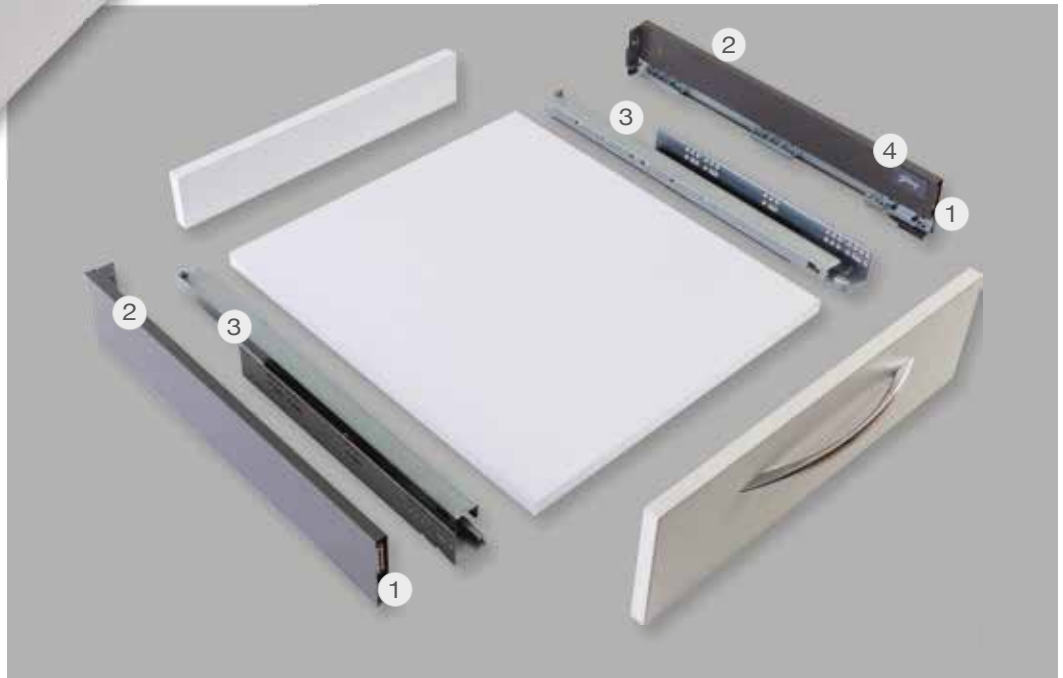
### Benefits:

- Sharp, clean-cut square edges gives an elegant appearance
- Sleek side panels increase space available for storage
- Effortless motion with smooth action for soft closing
- Fast and simple installation using basic tools, saves time & requires less efforts
- Customization options available with choice of rails for height expansion
- Available in heights of 8.9cm (4 inch), 12.1 cm (6 inch), 18.9 cm (8 inch)

### Finishes:

- Anthracite
- White

# ASSEMBLY



1  
FRONT  
CONNECTOR (L/R)



2  
DECORATIVE  
COVER



3  
SOFT CLOSE  
CHANNEL

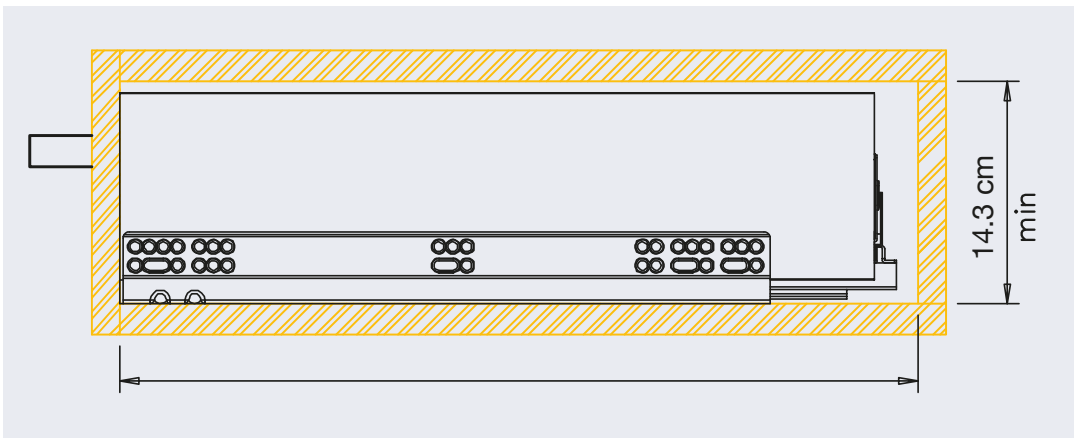


4  
GODREJ LOGO  
PLATE CLIP (L/R)

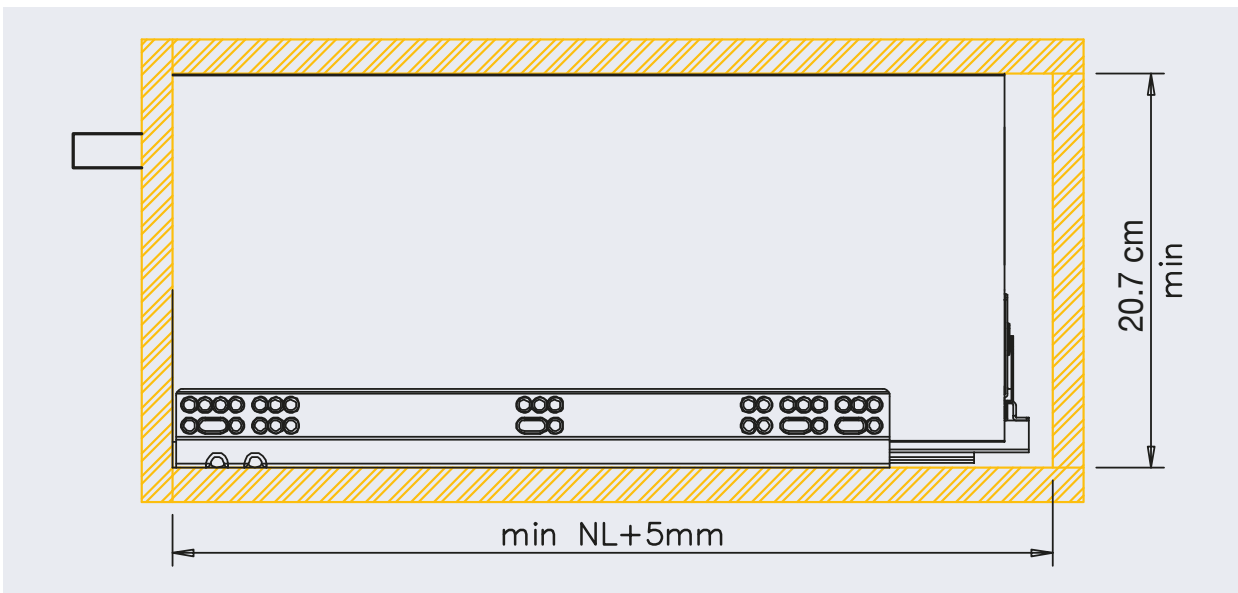








Sr. No.	Product Code	Product Description	Nominal Length (cm) NL	Internally usable drawer depth (cm)	Minimum installation height (cm)
1.	4045	Slim Ergo drawer system 12.1x45 cm Anthracite	45	42.4	14.3
2.	4046	Slim Ergo drawer system 12.1x50 cm Anthracite	50	47.4	14.3
3.	4047	Slim Ergo drawer system 12.1x55 cm Anthracite	55	52.4	14.3
4.	4048	Slim Ergo drawer system 12.1x45 cm White	45	42.4	14.3
5.	4049	Slim Ergo drawer system 12.1x50 cm White	50	47.4	14.3
6.	4050	Slim Ergo drawer system 12.1x55 cm White	55	52.4	14.3



Sr. No.	Product Code	Product Description	Nominal Length (cm) NL	Internally usable drawer depth (cm)	Minimum installation height (cm)
1	4051	Slim Ergo drawer system 18.9x45 cm Anthracite	45	42.4	20.7
2	4052	Slim Ergo drawer system 18.9x50 cm Anthracite	50	47.4	20.7
3	4053	Slim Ergo drawer system 18.9x55 cm Anthracite	55	52.4	20.7
4	4054	Slim Ergo drawer system 18.9x45 cm White	45	42.4	20.7
5	4061	Slim Ergo drawer system 18.9x50 cm White	50	47.4	20.7
6	4062	Slim Ergo drawer system 18.9x55 cm White	55	52.4	20.7



# SLIMERGO

## Drawer System with Rail

### Key Features:

- Clean Design
- Sleek Side Panels
- Smooth Operation
- Easy Installation
- Platform Based Design

### Application:

- Structure of a drawer

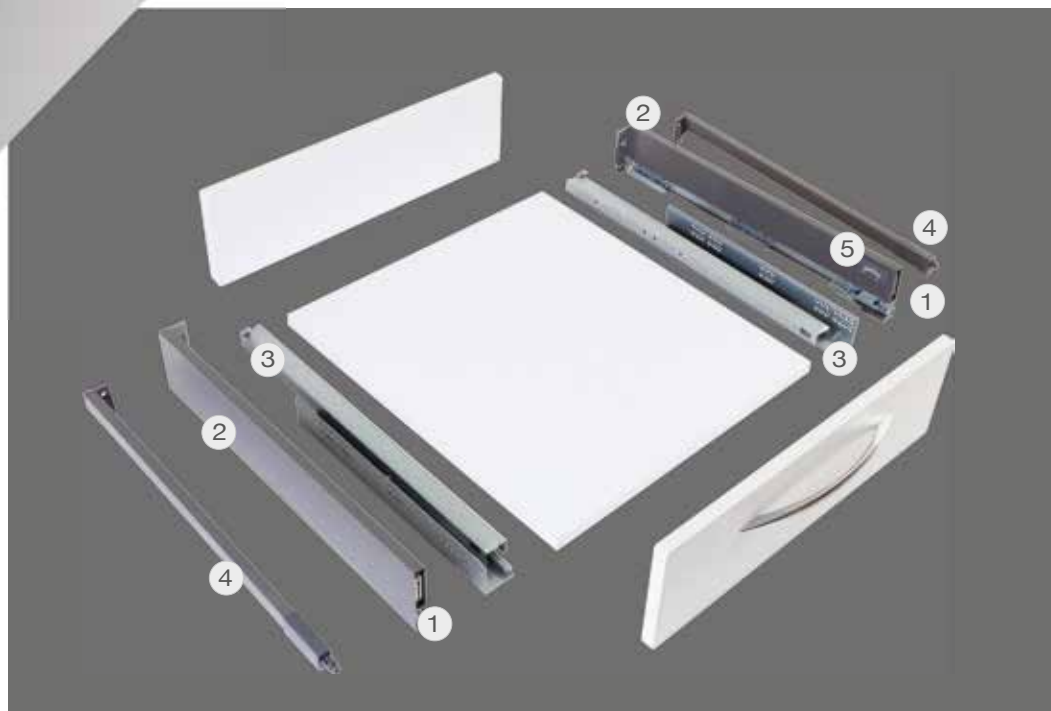
### Benefits:

- Sharp, clean-cut square edges gives an elegant appearance
- Sleek side panels increase space available for storage
- Effortless motion with smooth action for soft closing
- Fast and simple installation using basic tools, saves time & requires less efforts
- Customization options available with choice of rails for height expansion

### Finishes:

- Anthracite
- White

# ASSEMBLY



1  
FRONT  
CONNECTOR  
(L/R)



2  
DECORATIVE  
COVER



3  
SOFT CLOSE  
CHANNEL



4  
SINGLE /  
DOUBLE  
RAIL



5  
GODREJ LOGO  
PLATE CLIP (L/R)



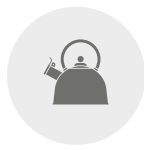
## APPLICATION



Steam Pot



Fry Pan

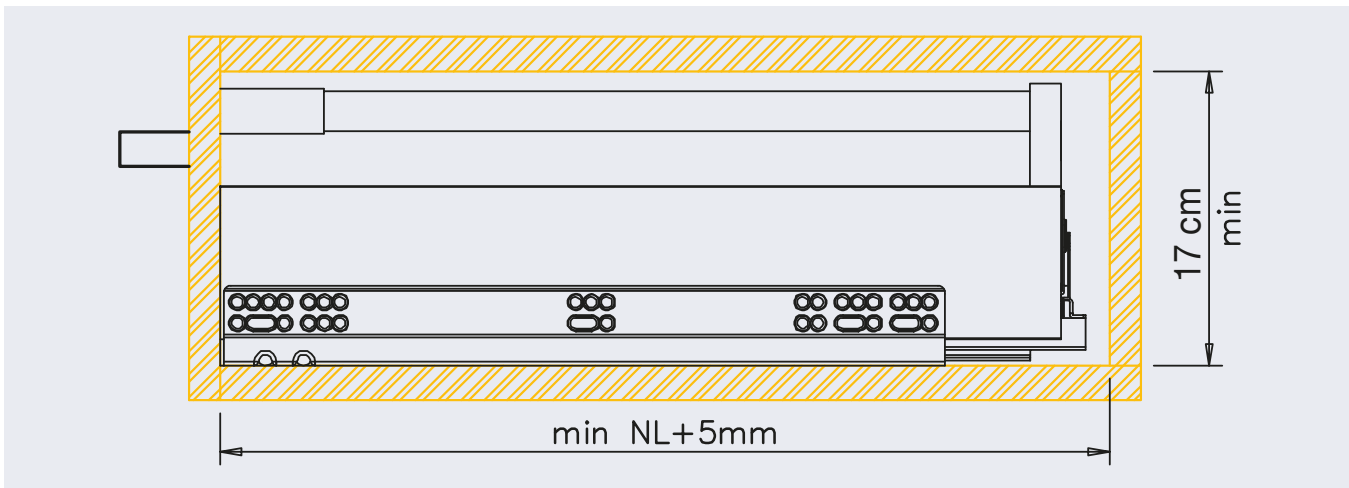


Tea Pot

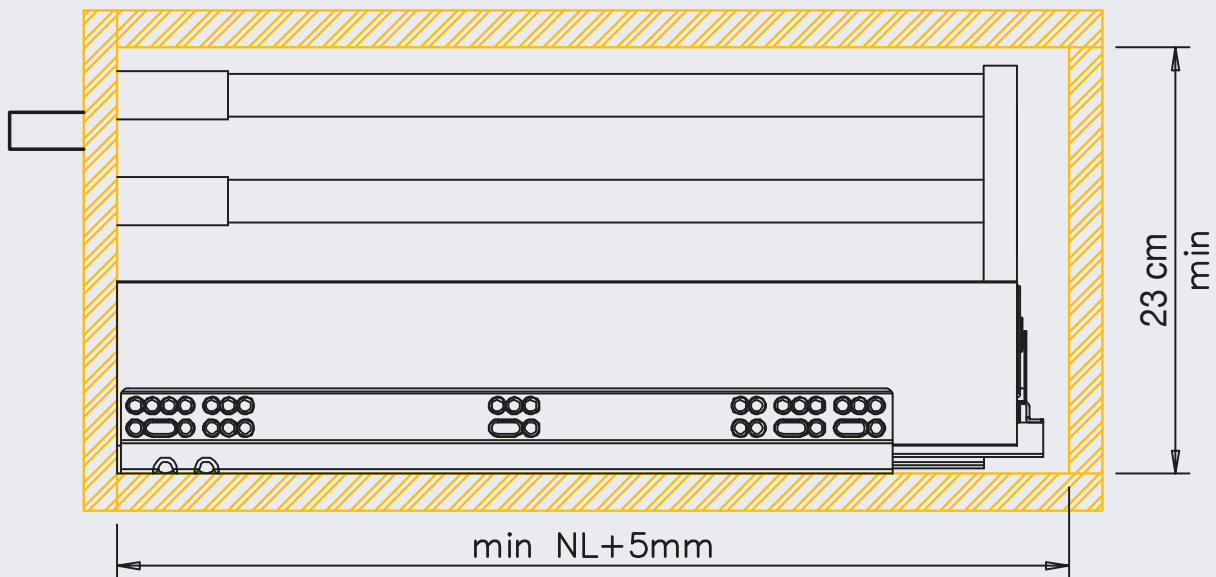


Big Plates

## DIAGRAM



Single Rail					
Sr. No.	Product Code	Product Description	Nominal Length (mm) NL	Internally usable drawer depth (mm)	Minimum installation height (mm)
1.	4183	Slim Ergo Square Rail 40 cm Anthracite	40	37.4	17
2.	4344	Slim Ergo Square Rail 45 cm Anthracite	45	42.4	17
3.	4345	Slim Ergo Square Rail 50 cm Anthracite	50	47.4	17
4.	4346	Slim Ergo Square Rail 55 cm Anthracite	55	52.4	17
5.	4184	Slim Ergo Square Rail 40 cm White	40	37.4	17
6.	4347	Slim Ergo Square Rail 45 cm White	45	42.4	17
7.	4348	Slim Ergo Square Rail 50 cm White	50	47.4	17
8.	4349	Slim Ergo Square Rail 55 cm White	55	52.4	17



Double Rail **					
Sr. No.	Product Code	Product Description	Nominal Length (mm) NL	Internally usable drawer depth (mm)	Minimum installation height (mm)
1.	4183	Slim Ergo Square Rail 40 cm Anthracite	40	37.4	23
2.	4344	Slim Ergo Square Rail 45 cm Anthracite	45	42.4	23
3.	4345	Slim Ergo Square Rail 50 cm Anthracite	50	47.4	23
4.	4346	Slim Ergo Square Rail 55 cm Anthracite	55	52.4	23
5.	4184	Slim Ergo Square Rail 40 cm White	40	37.4	23
6.	4347	Slim Ergo Square Rail 45 cm White	45	42.4	23
7.	4348	Slim Ergo Square Rail 50 cm White	50	47.4	23
8.	4349	Slim Ergo Square Rail 55 cm White	55	52.4	23

\*\* Two quantities of each product code under Single Rail for Double Rail Slim Ergo Box.

SCAN THE QR CODE  
TO WATCH THE VIDEO



# CORNER SOLUTION





CORNER SOLUTION







# CAROUSEL

## CORNER SOLUTION

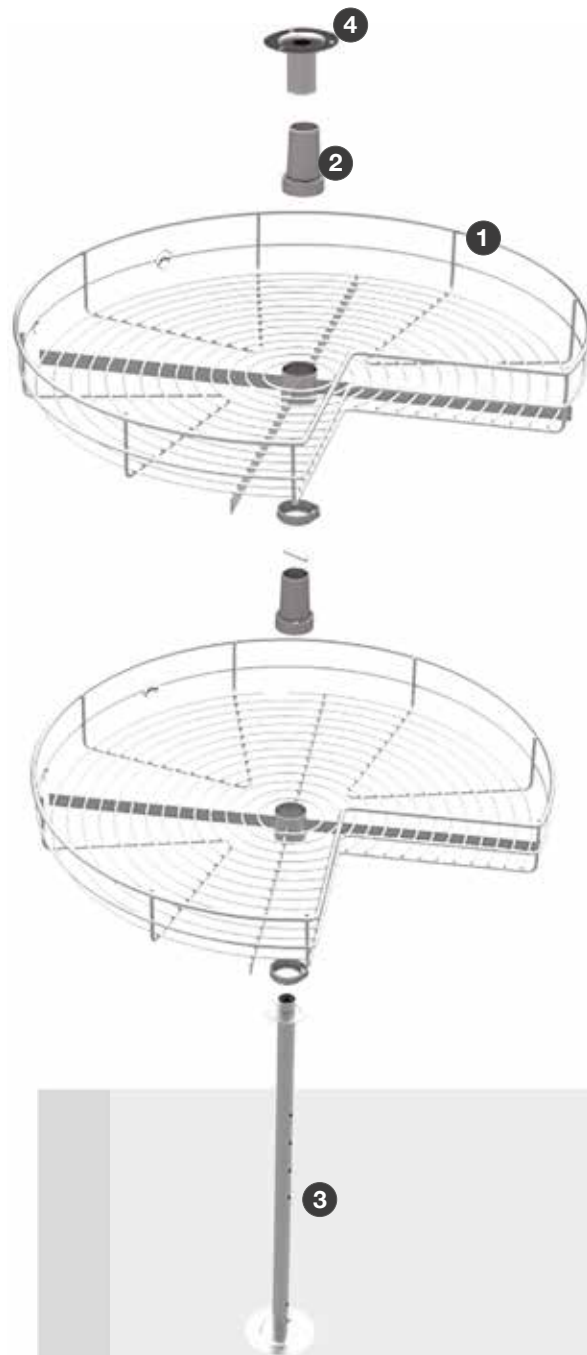
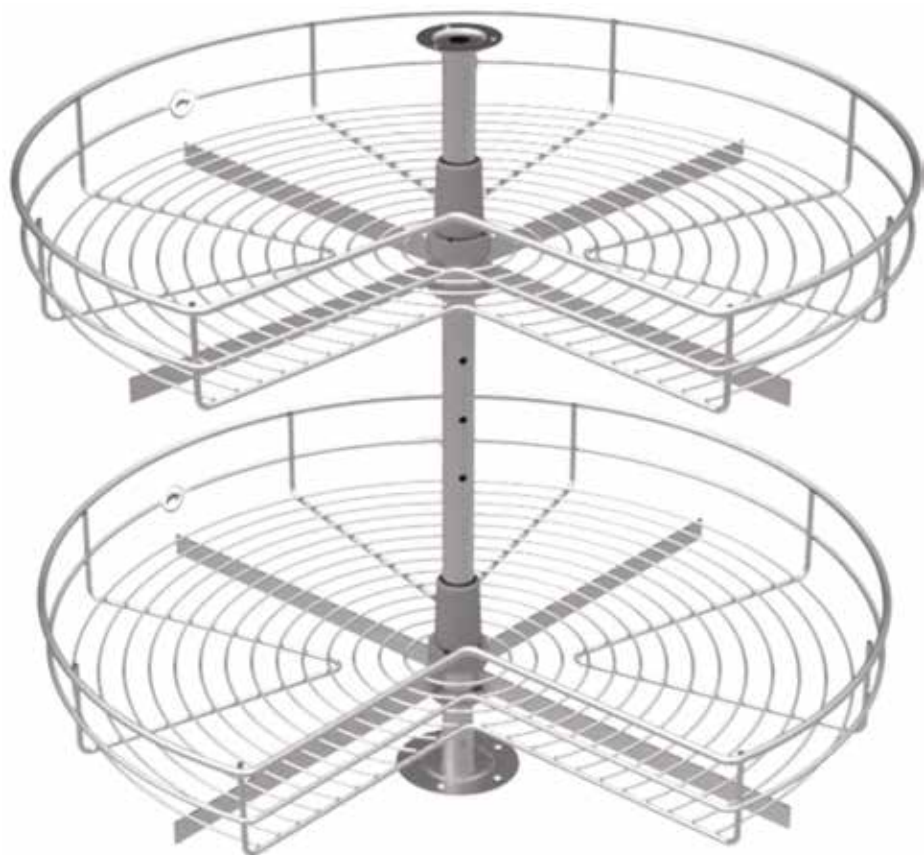
### Key Features:

- Two shelves for extra loading
- Smooth, 360-degree revolving mechanism for optimum utilization of space and ease of operation
- Adjustable heights

### Application:

- Corner of Kitchen

# ASSEMBLY



CAROUSEL SYSTEM

1

TRAY



2

CONNECTOR AND BUSH



3

BIG ROD



4

SMALL ROD



## APPLICATION



Tetra Pack



Steel Tin



Glass Jar



Food Packets

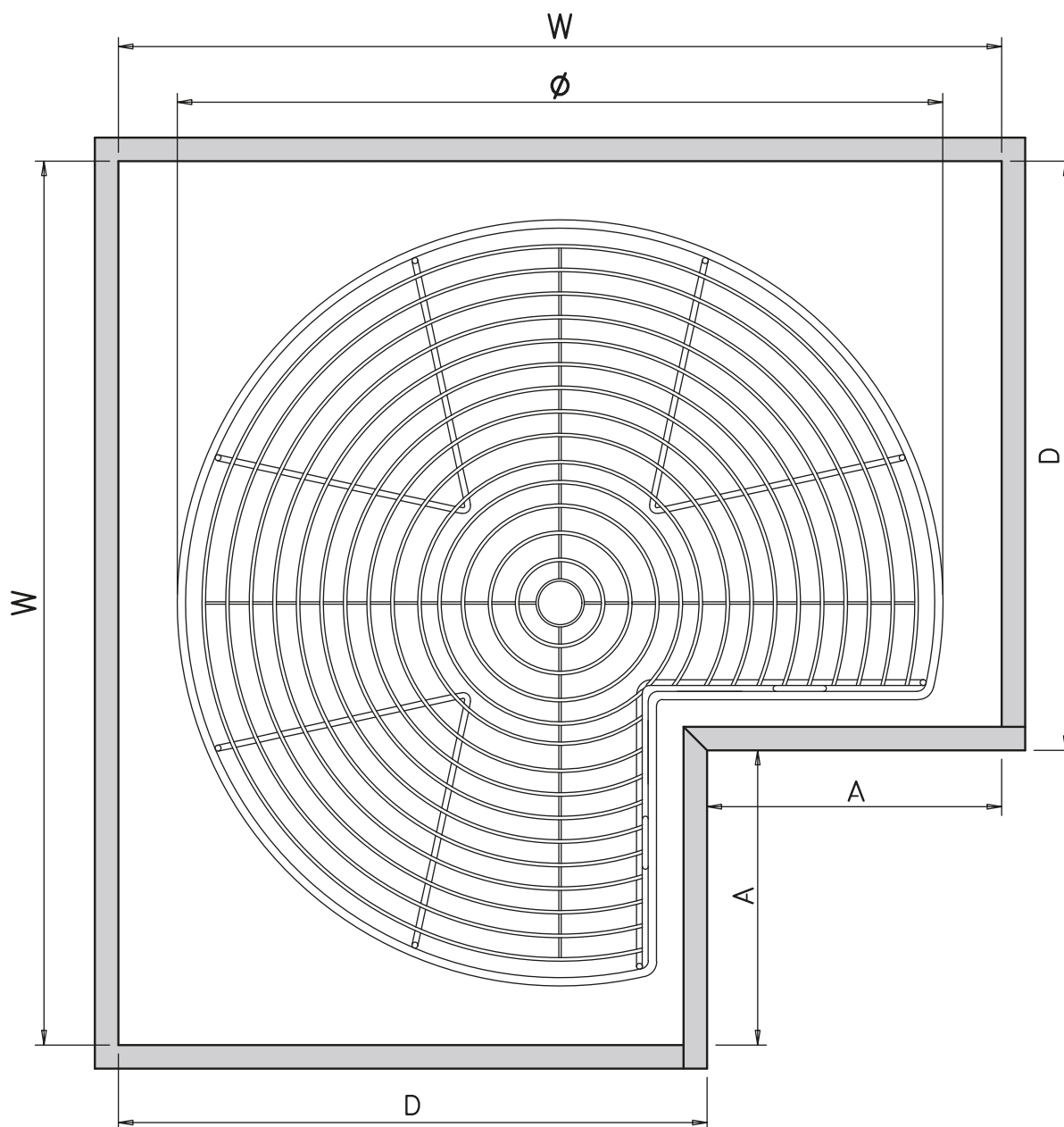


Mason Jar

SCAN THE QR CODE  
TO WATCH THE VIDEO



# DIAGRAM



Sr. No.	Code	Product Description	Carousel size Ø (cm)	Internal Minimum Total Width "W" (cm)	Internal Minimum Depth "D" (cm)	Internal Minimum Opening Width "A" (cm)	Internal Minimum Height "H" (cm)
---------	------	---------------------	----------------------	---------------------------------------	---------------------------------	---	----------------------------------

### Required Cabinet Dimensions

1.	5818	Carousel SS - 60 cm Dia	60.0	70.0	47.5	22.5	70.0
2.	5819	Carousel SS 30.4 - 60 cm Dia	60.0	70.0	47.5	22.5	70.0
3.	6176	Carousel SS - 65 cm Dia	65.0	75.0	50.0	25.0	70.0
4.	6177	Carousel SS - 75 cm Dia	75.0	85.0	55.0	30.0	70.0
5.	6178	Carousel SS 30.4 - 65 cm Dia	65.0	75.0	50.0	25.0	70.0
6.	6179	Carousel SS 30.4 - 65 cm Dia	75.0	85.0	55.0	30.0	70.0



# D-TRAY

## CORNER SOLUTION

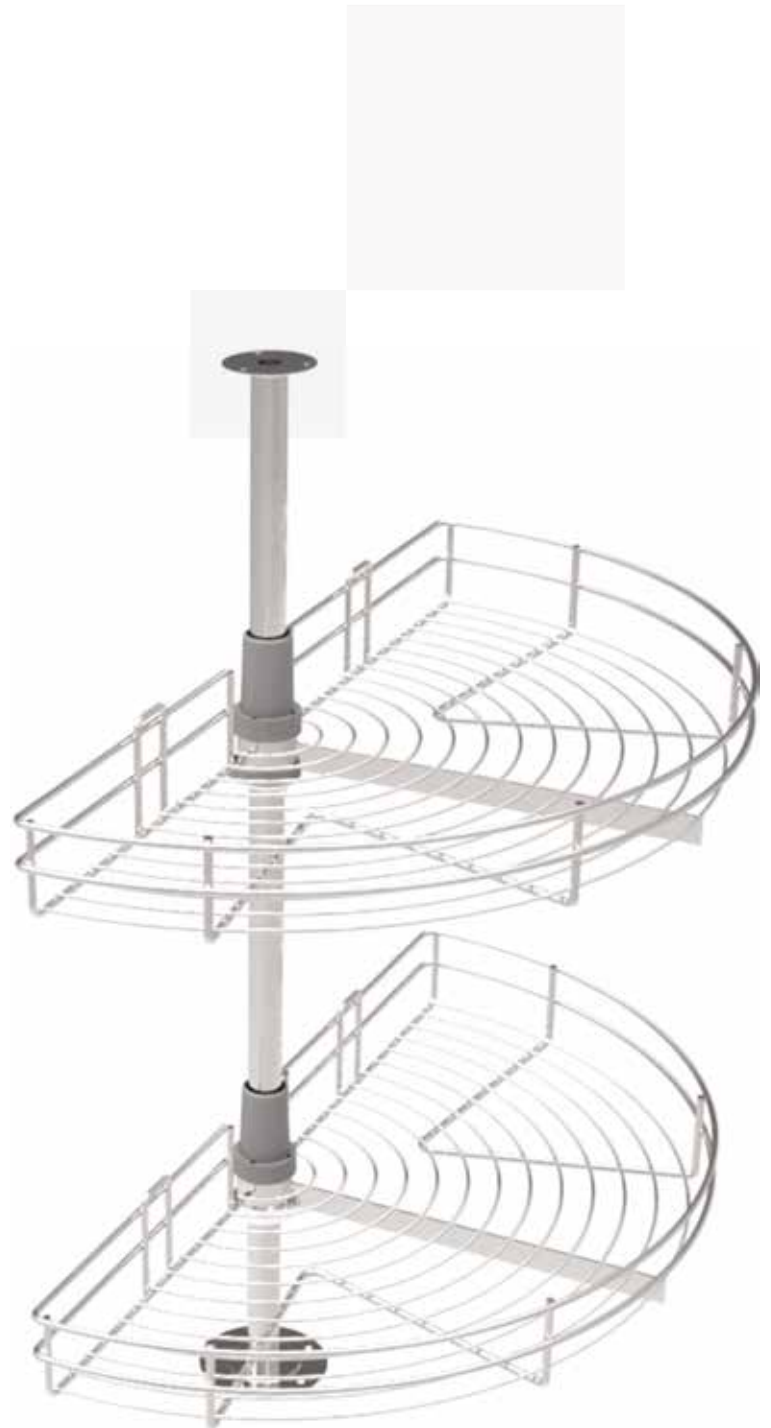
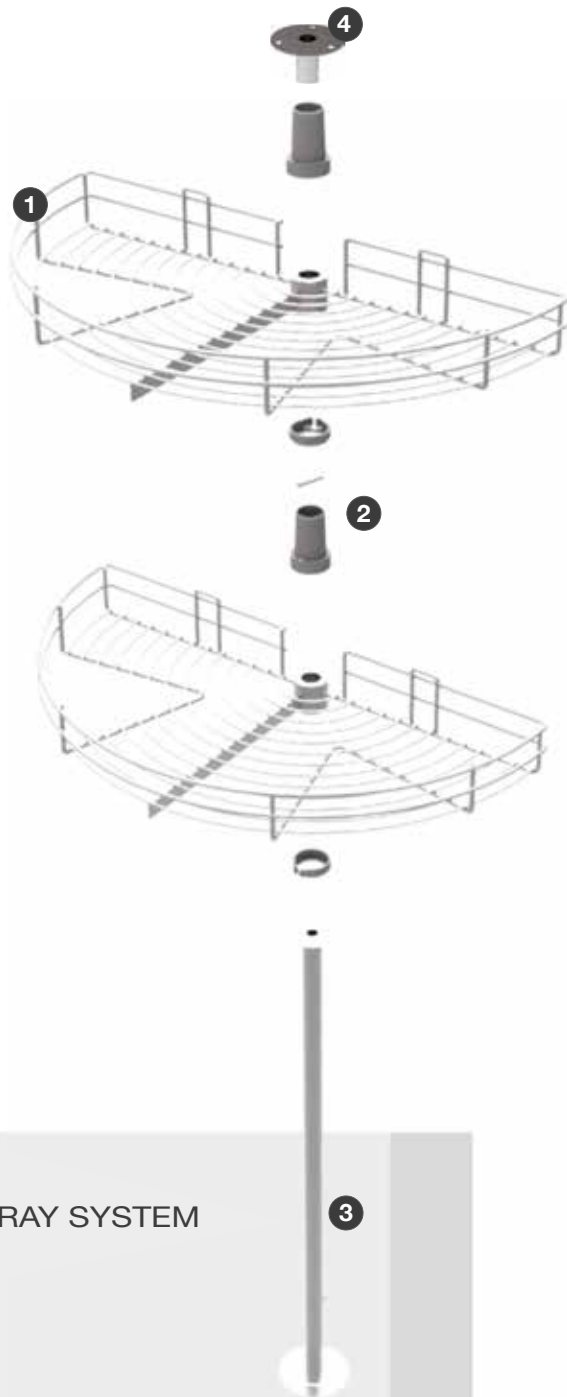
### Key Features:

- Two shelves for extra loading
- Smooth, 90-degree revolving mechanism for optimum utilization of space and ease of operation
- Adjustable heights

### Application:

- Corner of Kitchen

# ASSEMBLY



1  
TRAY



2  
CONNECTOR AND BUSH



3  
BIG ROD



4  
SMALL ROD



## APPLICATION



Tetra Pack



Steel Tin



Glass Jar



Food Packets

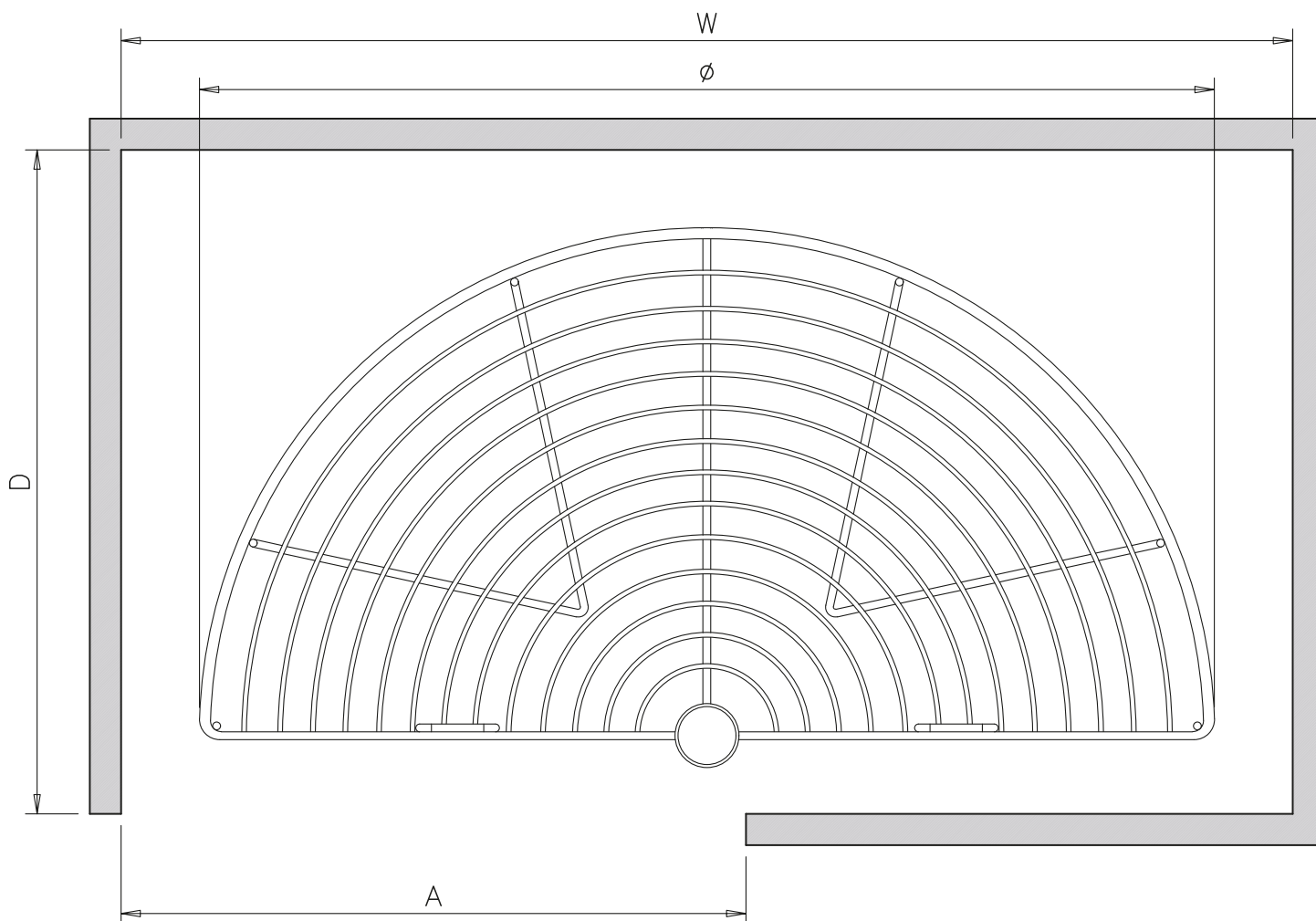


Mason Jar

SCAN THE QR CODE  
TO WATCH THE VIDEO



# DIAGRAM

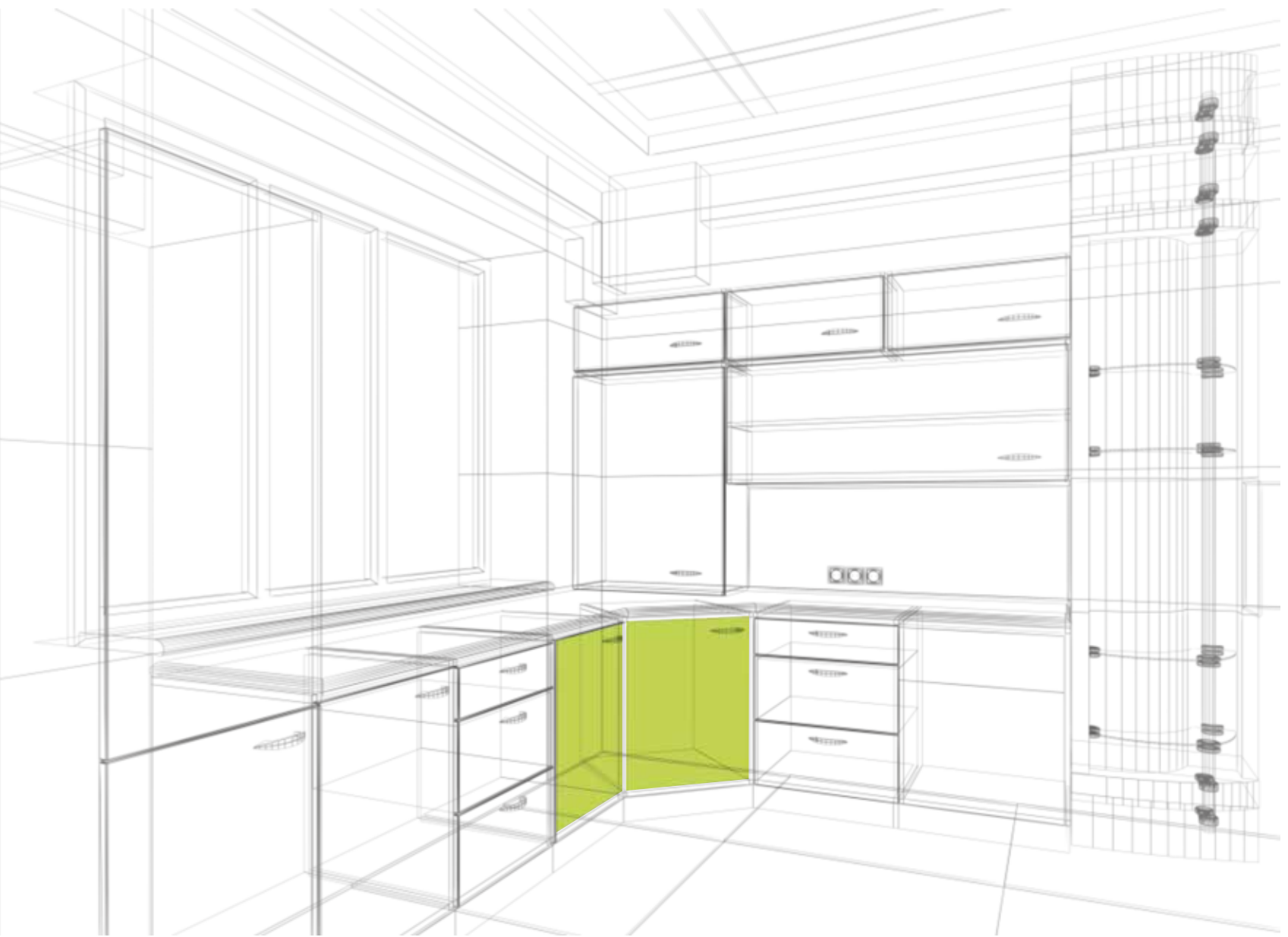


Sr. No.	Code	Product Description	Carousel size Ø (cm)	Internal Minimum Total Width "W" (cm)	Internal Minimum Depth "D" (cm)	Internal Minimum Opening Width "A" (cm)	Internal Minimum Height "H" (cm)
---------	------	---------------------	----------------------	---------------------------------------	---------------------------------	---	----------------------------------

### Required Cabinet Dimensions

1.	6181	D Tray SS – 65cm Dia	65.0	75.0	42.5	40.0	70.0
2.	6182	D Tray SS – 75cm Dia	75.0	85.0	47.5	45.0	70.0





# SWING-TRAY

## CORNER SOLUTION

### Key Features:

- Two spacious chambers for all kitchen utilities
- Suitable cabinet size up to 95 cm
- Door width up to 45 cm maximum
- Precise short closing mechanism for smooth closing of drawers
- Specifications (W x D x H) - 81 x 48 x 60-77 cm

### Application:

- Corner Solution

### Usage:

- Pots, pans etc.

# ASSEMBLY



SWING TRAY SYSTEM



1 SHELF



2 MAIN CENTER POLE



3 GAS STRUT



4 TOP CAP



5 CENTER POLE CAP



6 BOTTOM CAP



7 CENTER POLE CAP



8 QUICK RELEASE CAP



9 LONG ARM



10 SHORT ARM



## APPLICATION



Tea Pot



Fry Pan



Glass Tin



Steam Pot

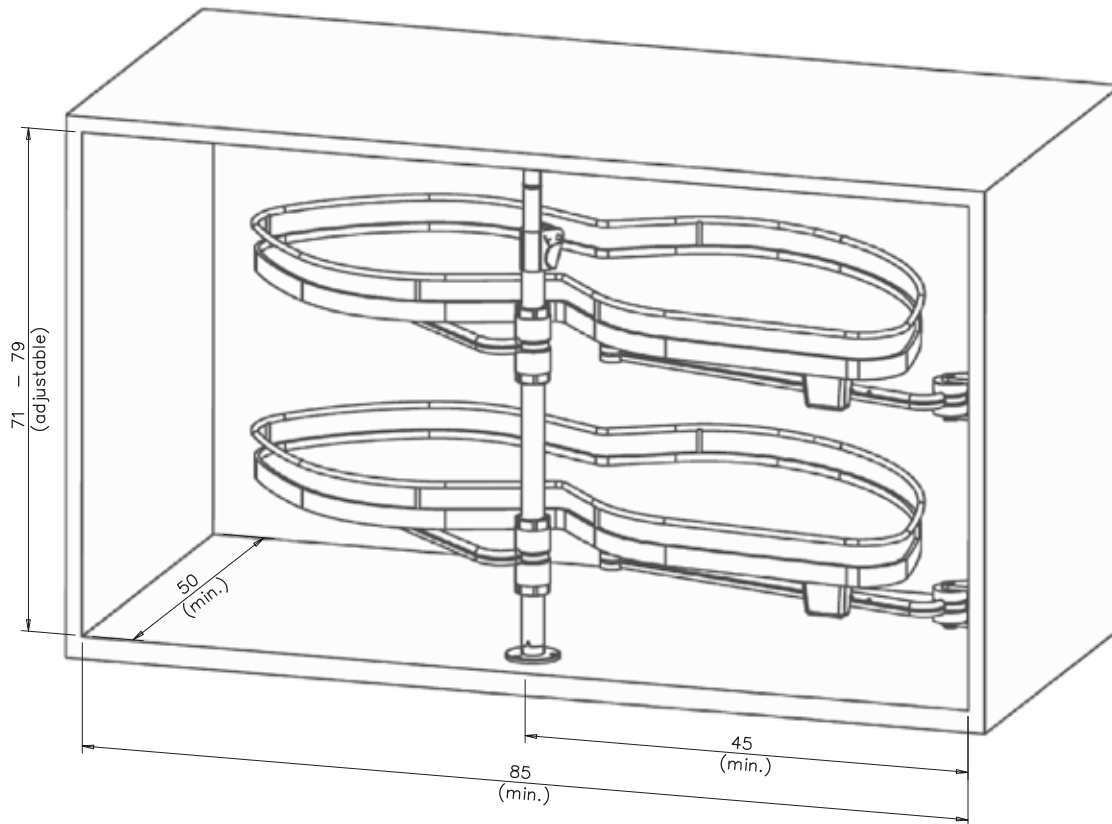


Glass Bowls

SCAN THE QR CODE  
TO WATCH THE VIDEO



# DIAGRAM



Sr. No.	Code	Product Description	Product Specification (W x D x H) cm	Internal Minimum Total Width (cm)	Internal Minimum Depth (cm)	Internal Minimum Height (cm)	Internal Minimum Width (cm)
<b>Required Cabinet Dimensions</b>							
1.	6486	Swing Tray Left*	81 x 48 x 60-77	85	50	71-79	45
2.	6487	Swing Tray Right*	81 x 48 x 60-77	85	50	71-79	45



# MAGIC CORNER

## CORNER SOLUTION

### Key Features:

- Four spacious chambers for all kitchen utilities
- Suitable cabinet size up to 100 cm
- Door width up to 45 cm maximum
- Precise short closing mechanism for smooth closing of drawers
- Specifications (W x D x H): 86-96 x 48 x 52.5 cm

### Application:

- Corner Solution

### Usage:

- Pots, pans etc.

# ASSEMBLY

## MAGIC CORNER SYSTEM



1

TRAY



2

CORNER  
FIXING PLATE



3

SLIDING  
FRAME



4

GUIDE  
PLATE



5

FRAME



6

SHUTTER  
CONNECTOR



7

SWING  
DRAWER BAR



## APPLICATION



Fry Pan



Steel Tin



Steam Pot



Glass Plates



Heavy Glass  
Bowls

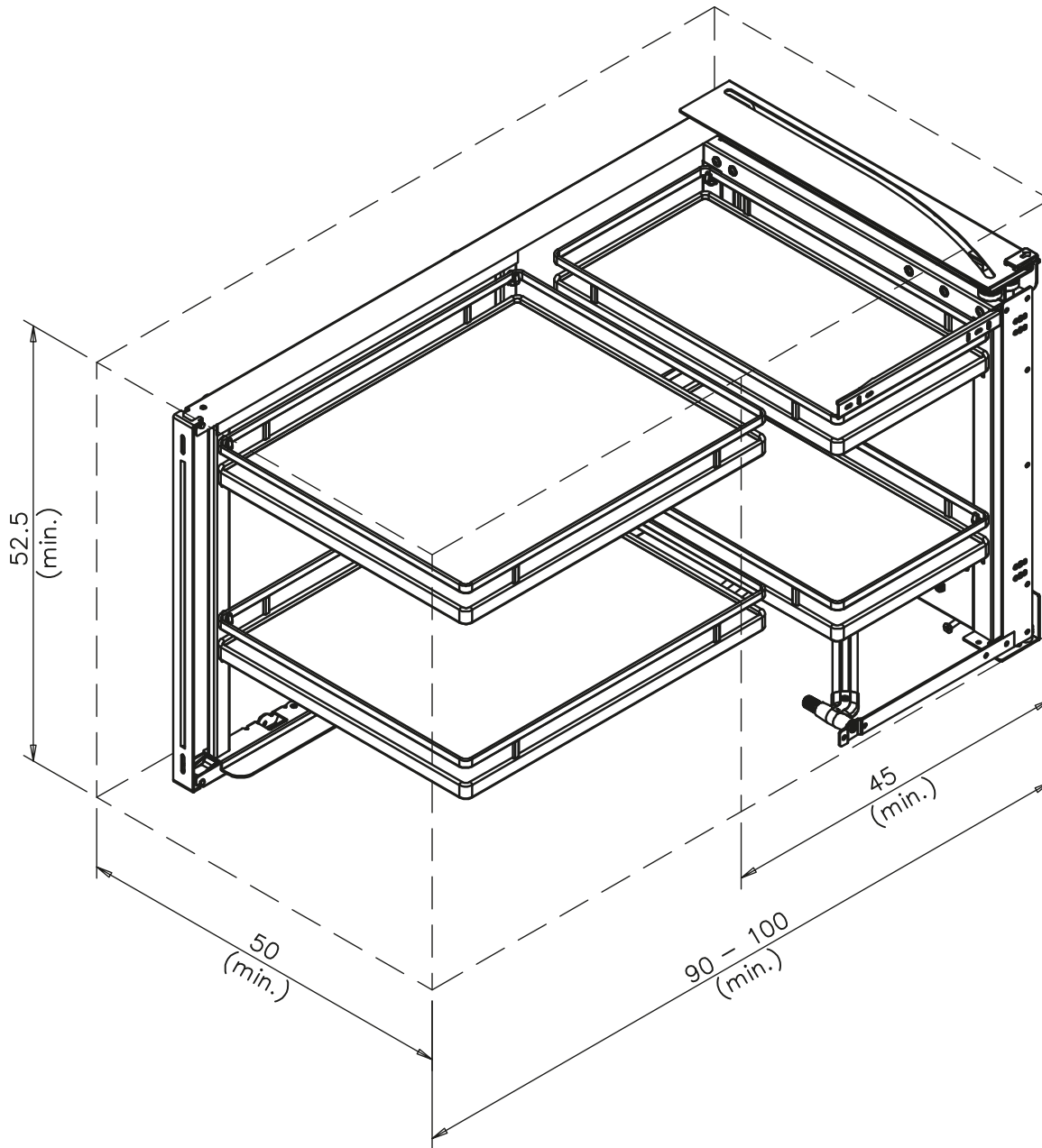


Bowls

SCAN THE QR CODE  
TO WATCH THE VIDEO



# DIAGRAM



Sr. No.	Code	Product Description	Product Specification (W x D x H) cm	Internal Minimum Total Width (cm)	Internal Minimum Depth (cm)	Internal Minimum Height (cm)	Internal Minimum Width (cm)
---------	------	---------------------	--------------------------------------	-----------------------------------	-----------------------------	------------------------------	-----------------------------

### Required Cabinet Dimensions

1.	6488	Magic Corner Left	(86 - 96) x 48 x 52.5	90 x 100	50.0	52.5	45.0
2.	6489	Magic Corner Right	(86 - 96) x 48 x 52.5	90 x 100	50.0	52.5	45.0



# TALL UNIT



# TALL UNIT





TALL UNIT



# TALL UNIT

## CORNER SOLUTION

### Key Features:

- Easy, full extension pull out
- Bottom-mounted runner for smooth closing
- Robust structural frame for high stability
- SS material for high durability
- 6 Internal baskets for dedicated storage space
- Load carrying capacity of 10 kg per basket

### Application:

- Tall space solution



FRAME



TALL UNIT BASKET



TOP SLIDER



BOTTOM SLIDER



BASKET HOLDING CLIP

## APPLICATION



Tetra Pack



Steel Tin



Food Packets

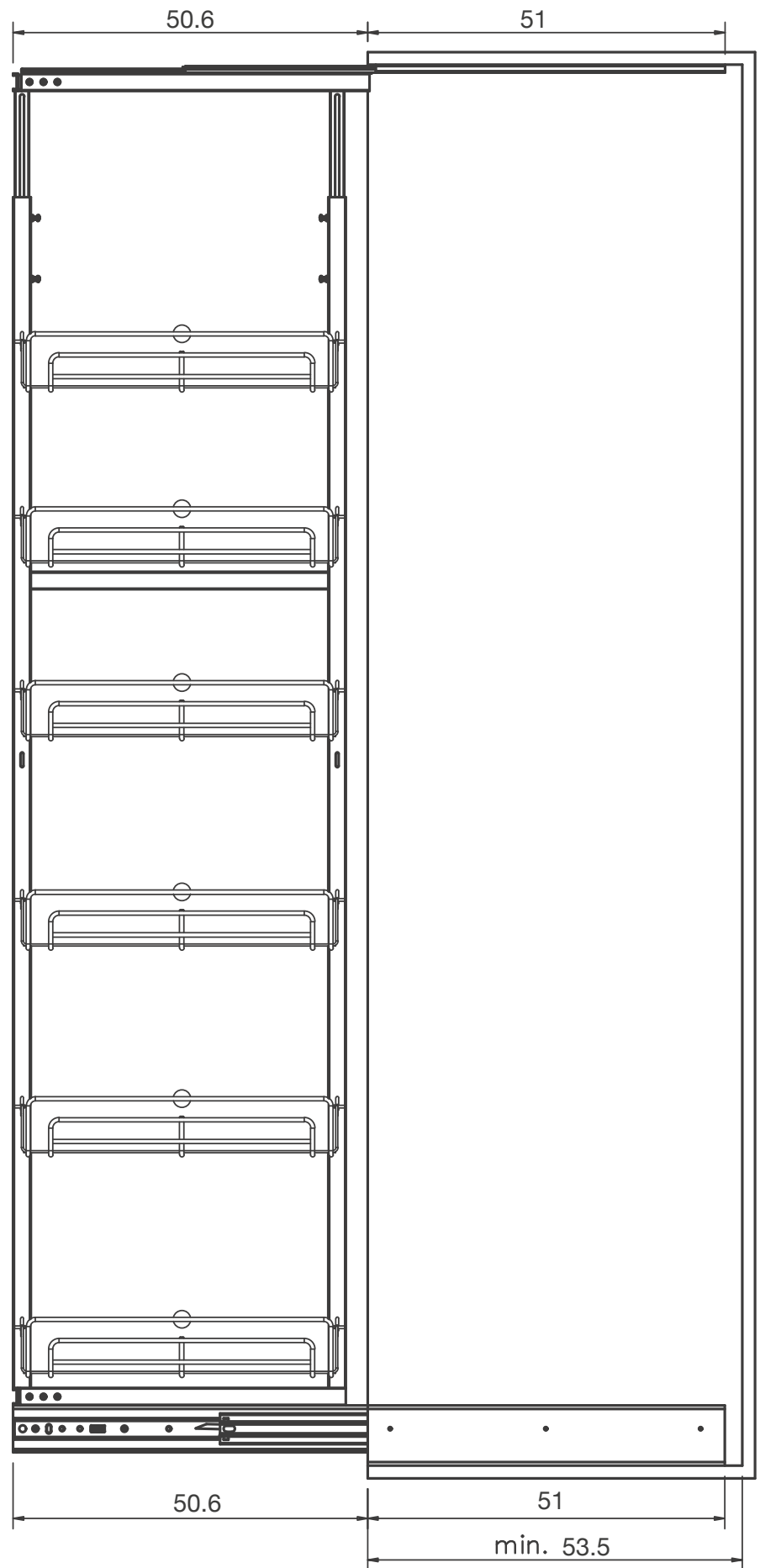
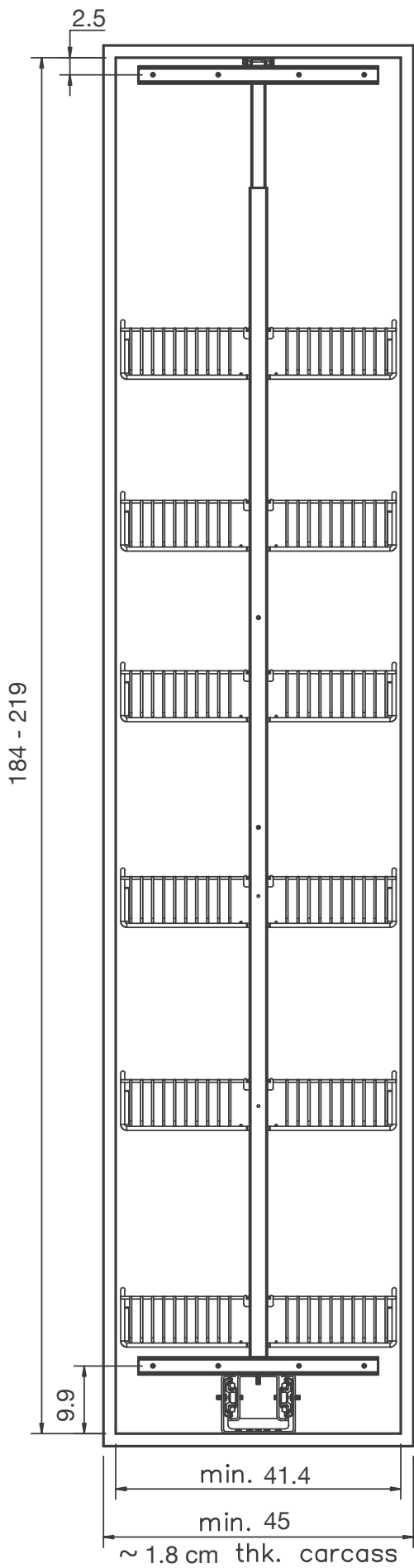


Mason Jar

### Product Description: SS Tall Unit

Product Code	Type	Adjustable Height (cm)	Internal Minimum Width (cm)	Internal Minimum Depth (cm)
6439	Full Extension	184 - 219	41.4 cm	53.5

# DIAGRAM



Tall Unit in Full Extension Position

All dimensions in "cm"

# SOFT PRO











# SOFT PRO TOP SYSTEMS CORNER SOLUTION

## Key Features:

- Easy, effortless opening and closing motion
- Progressive operation to stay open at any desired position
- Suitable for shutter widths:
  - 40 - 70 x 40 cm (1 pcs)
  - 90 - 120 x 40 cm (2 pcs)

## Application:

- Overhead cabinets shutters

## Usage:

- Storing kitchen utilities in overhead cabinets

## APPLICATION



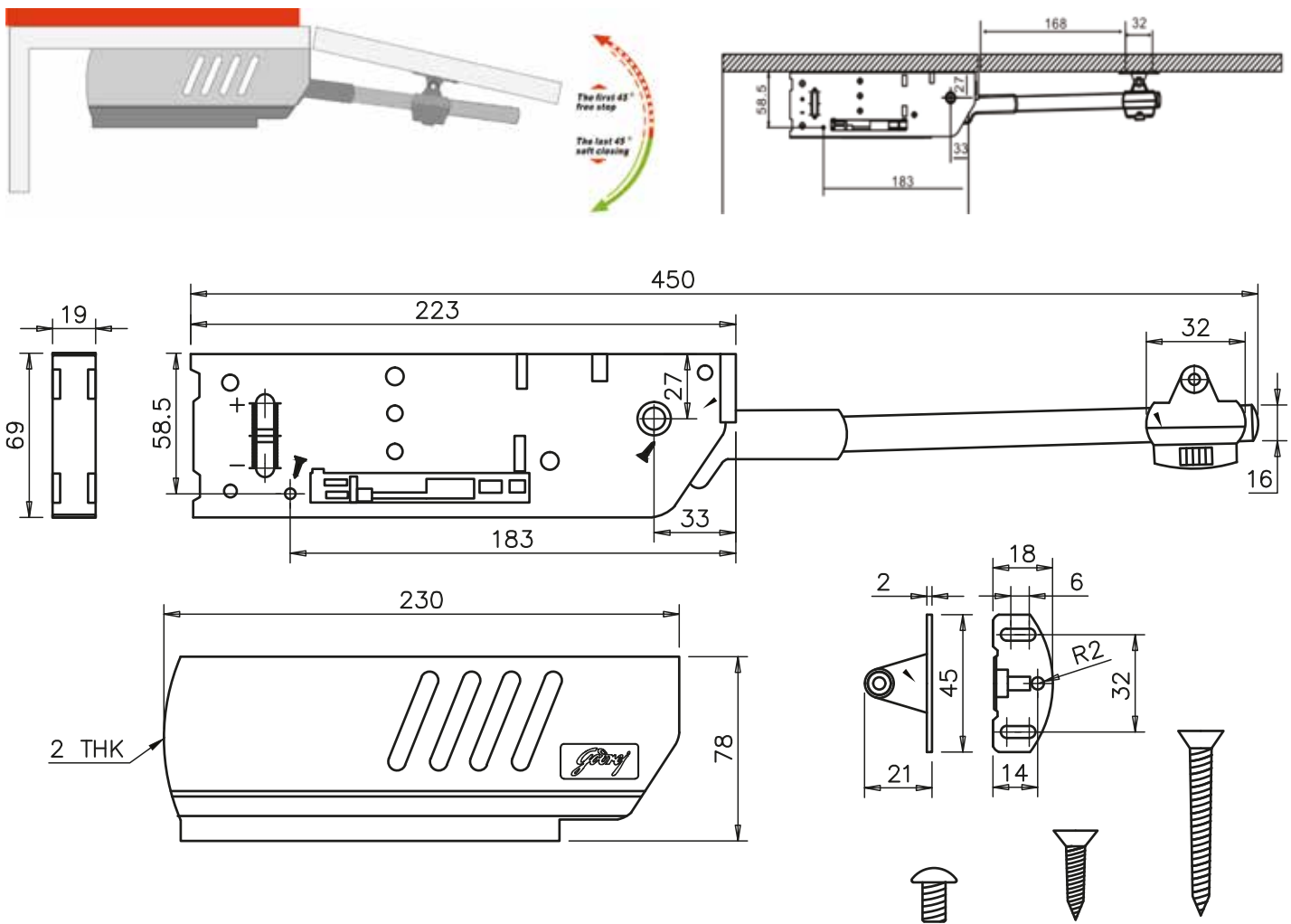
### Product Description: Soft Pro Systems

Sr. No.	Code	Product Description
01	6417	Soft Pro Top System Left
02	6418	Soft Pro Top System Right
03	6419	Soft Pro Top System Heavy Left
04	6420	Soft Pro Top System Heavy Right

SCAN THE QR CODE  
TO WATCH THE VIDEO



# DIAGRAM



## PRODUCT SELECTION

		Product Selection Chart																				
		Width (mm)																				
		300	350	400	450	500	600	700	800	900	1000	1100	1200	1300	1400	1500	1600	1700	1800			
Height (mm)	320										Lx1	Lx1	Lx1	Lx1	Lx1	Lx1	Fx1	Fx1	Fx1			
	340									Lx1	Lx1	Lx1	Lx1	Lx1	Lx1	Fx1	Fx1	Fx1	Fx1			
	360								Lx1	Lx1	Lx1	Lx1	Lx1	Lx1	Fx1	Fx1	Fx1	Fx1	Fx1	Lx2		
	380								Lx1	Lx1	Lx1	Lx1	Lx1	Lx1	Fx1	Fx1	Fx1	Fx1	Lx2	Lx2	Lx2	
	400							Lx1	Lx1	Lx1	Lx1	Lx1	Lx1	Lx1	Fx1	Fx1	Fx1	Fx1	Lx2	Lx2	Lx2	
	420							Lx1	Lx1	Lx1	Lx1	Lx1	Lx1	Lx1	Fx1	Fx1	Fx1	Fx1	Lx2	Lx2	Lx2	
	440						Lx1	Lx1	Lx1	Lx1	Lx1	Lx1	Lx1	Lx1	Fx1	Fx1	Fx1	Fx1	Lx2	Lx2	Fx2	Fx2
	460				Lx1	Lx1	Lx1	Lx1	Lx1	Fx1	Fx1	Fx1	Lx2	Lx2	Lx2	Lx2	Fx2	Fx2	Fx2	Fx2	Fx2	
	480				Lx1	Lx1	Lx1	Lx1	Lx1	Fx1	Fx1	Fx1	Lx2	Lx2	Lx2	Fx2	Fx2	Fx2	Fx2	Fx2	Fx2	
	500			Lx1	Lx1	Lx1	Lx1	Lx1	Fx1	Fx1	Fx1	Lx2	Lx2	Lx2	Fx2	Fx2	Fx2	Fx2	Fx2	Fx2		
	520		Lx1	Lx1	Lx1	Lx1	Lx1	Lx1	Fx1	Fx1	Lx2	Lx2	Lx2	Fx2	Fx2	Fx2	Fx2					
	540		Lx1	Lx1	Lx1	Lx1	Lx1	Fx1	Fx1	Lx2	Lx2	Lx2	Fx2	Fx2	Fx2	Fx2						
	560	Lx1	Lx1	Lx1	Lx1	Lx1	Lx1	Fx1	Fx1	Lx2	Lx2	Lx2	Fx2	Fx2	Fx2							
	580	Lx1	Lx1	Lx1	Lx1	Fx1	Fx1	Lx2	Lx2	Lx2	Fx2	Fx2	Fx2									
	600	Lx1	Lx1	Lx1	Lx1	Fx1	Fx1	Lx2	Lx2	Fx2	Fx2	Fx2										
	620	Lx1	Lx1	Lx1	Lx1	Fx1	Fx1	Lx2	Lx2	Fx2	Fx2	Fx2										
	640	Lx1	Lx1	Fx1	Fx1	Fx1	Lx2	Lx2	Fx2	Fx2	Fx2											
660	Lx1	Lx1	Fx1	Fx1	Fx1	Lx2	Lx2	Fx2	Fx2													
680	Lx1	Lx1	Fx1	Fx1	Lx2	Lx2	Fx2	Fx2	Fx2													
700	Lx1	Fx1	Fx1	Fx1	Lx2	Lx2	Fx2	Fx2														

- Lx1 → 1 Light type Top System
  - Fx1 → 1 Heavy type Top System
  - Lx2 → 2 Light type Top System
  - Fx2 → 2 Heavy type Top System
1. Above chart applicable only for standard MDF board shutter with 18mm thickness.
  2. Chart provides an overview of possible shutter sizes for carcass.
  3. Always test assembly before use.

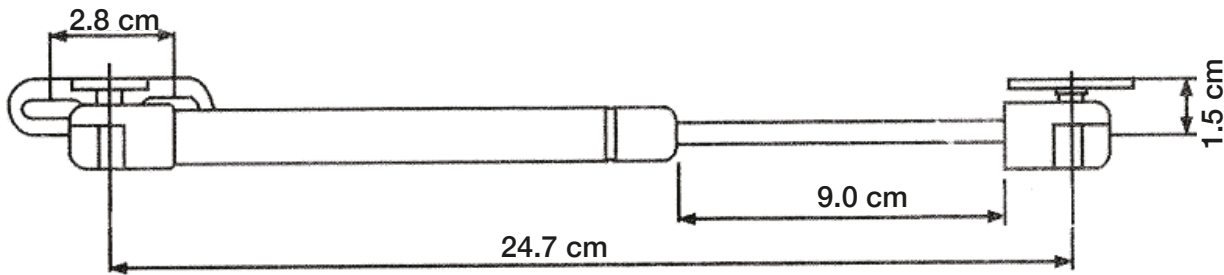
## APPLICATION



### Product Description: Soft Pro Systems

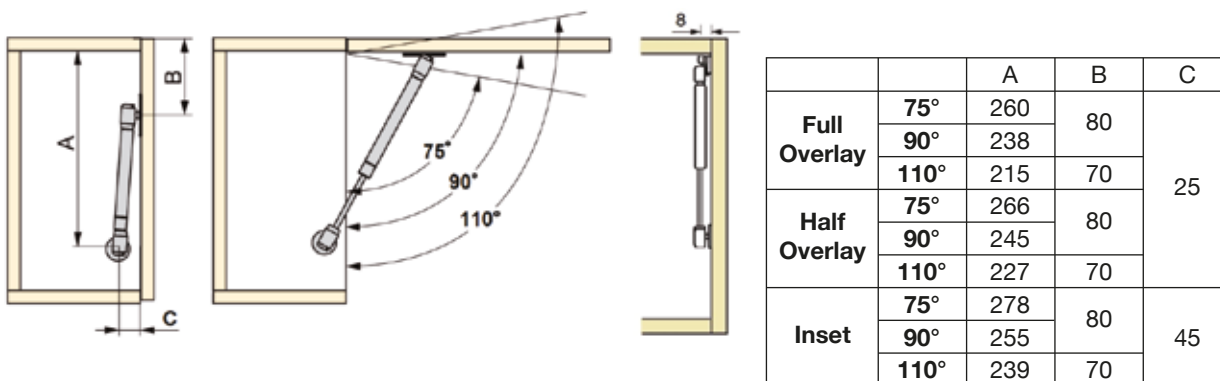
Sr. No.	Code	Product Description
01	4960	Gas spring Regular 60N
02	4961	Gas spring Regular 80N
03	4963	Gas spring Regular 100N
04	4965	Gas spring Regular 120N
05	3494	Regular Gas Spring 150 N
06	3495	Regular Gas Spring 200 N
07	3496	Regular Gas Spring 250 N

# DIAGRAM



## PRODUCT SELECTION

Door Weight (max.) mm	Door Height (max.) mm						
	610N	810N	100N	120N	150N	200N	250N
<b>Angle of opening = 75°</b>							
300	2.0 kg	2.7 kg	3.4 kg	4.1 kg	4.7 kg	6.8 kg	8.4 kg
400	1.5 kg	2.0 kg	2.6 kg	3.1 kg	3.5 kg	5.3 kg	6.4 kg
500	1.2 kg	1.6 kg	2.0 kg	2.5 kg	2.9 kg	4.2 kg	5.2 kg
600	1.0 kg	1.4 kg	1.8 kg	2.0 kg	2.4 kg	3.4 kg	4.3 kg
<b>Angle of opening = 90°</b>							
300	1.8 kg	2.4 kg	3.0 kg	3.6 kg	4.7 kg	6.0 kg	7.8 kg
400	1.3 kg	1.8 kg	2.2 kg	2.7 kg	3.2 kg	4.4 kg	5.7 kg
500	1.1 kg	1.4 kg	1.8 kg	2.1 kg	2.3 kg	3.6 kg	4.5 kg
600	0.9 kg	1.2 kg	1.5 kg	1.8 kg	2.1 kg	3.1 kg	4.0 kg
<b>Angle of opening = 110°</b>							
300	1.6 kg	2.1 kg	2.6 kg	3.1 kg	3.5 kg	5.2 kg	6.5 kg
400	1.2 kg	1.6 kg	1.9 kg	2.3 kg	2.6 kg	3.8 kg	4.8 kg
500	0.9 kg	1.2 kg	1.6 kg	1.9 kg	2.2 kg	3.2 kg	4.0 kg
600	0.8 kg	1.0 kg	1.3 kg	1.6 kg	1.9 kg	2.6 kg	3.5 kg



Full Overlay

Half Overlay

Inset



### Position X for Shutter Bracket

For Full Overlay Shutters

$$X = T + 8 \text{ mm}$$

For Half Overlay Shutters

$$X = T/2 + 8 \text{ mm}$$

For Inset Shutters

$$X = 8 \text{ mm}$$

(T = Thickness of Carcass)

Recommended Godrej Soft Closing Cabinet Hinges 2 nos. for each cabinet shutters

For Full Overlay : Clip on Soft Hinge - Full Overlay (7216)

For Half Overlay : Clip on Soft Hinge - Half Overlay (7217)

For Inset : Clip on Soft Hinge - Inset (7218)

# BASKETS











# BASKET

## Key Features:

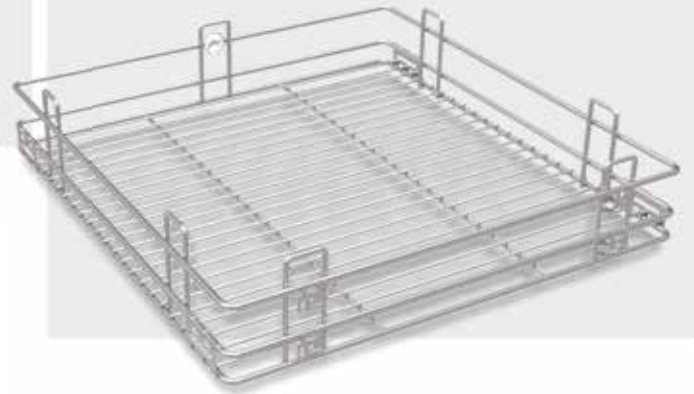
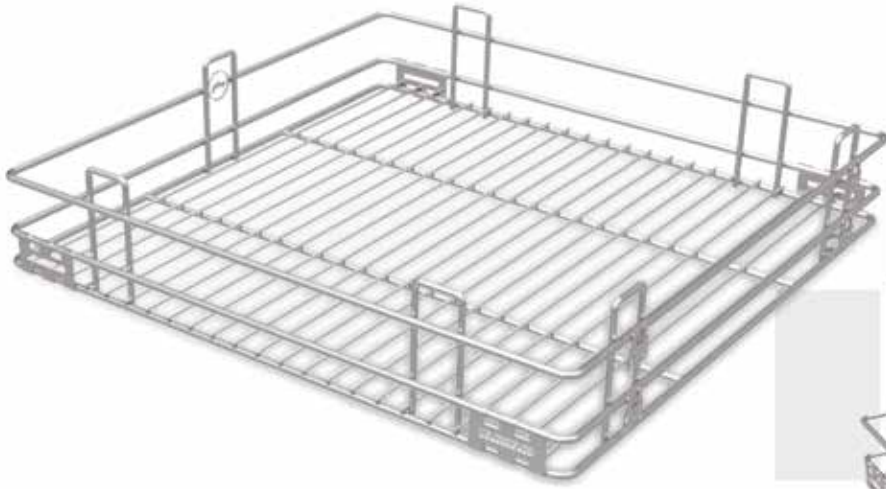
- SS Chrome-plated / SS 304 Chrome - Plated for corrosion resistance
- SS wire for longevity
- Varied size for optimum utilisation of space

## Usage:

- Cup & Saucers
- Cutlery
- Plates & Thalis
- Bottles & Kitchen utilities
- Heavy grain bags

## PLAIN BASKET SS

**10**  
YEARS  
WARRANTY



## APPLICATION



Fry Pan



Steel Tin



Steam Pot



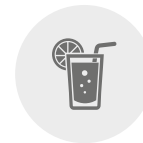
Glass Plates



Glass Bowls



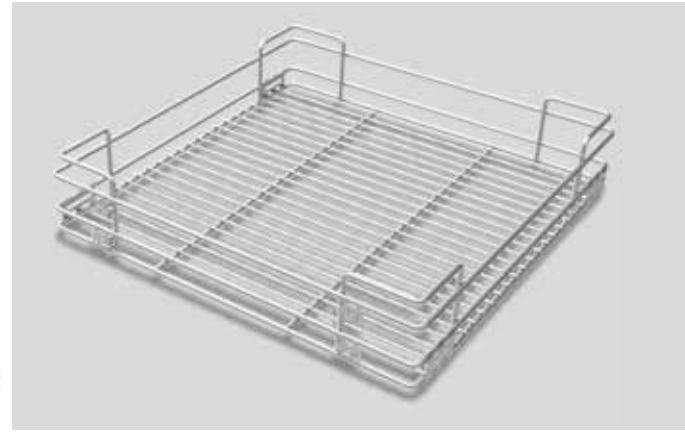
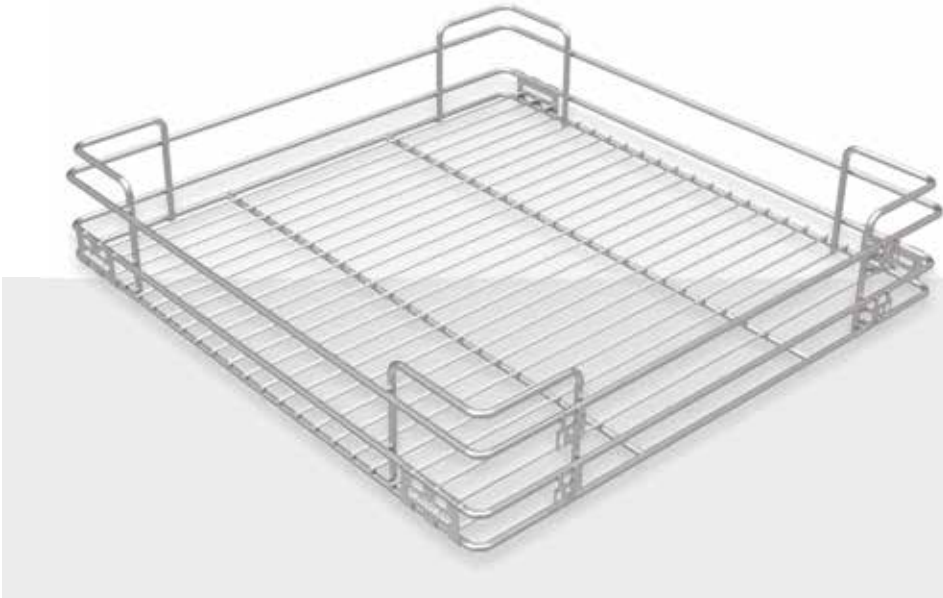
Bowls



Glasses

## PLAIN BASKET SS 304

**15**  
YEARS  
WARRANTY



## APPLICATION



Fry Pan



Steel Tin



Steam Pot



Glass Plates



Glass Bowls



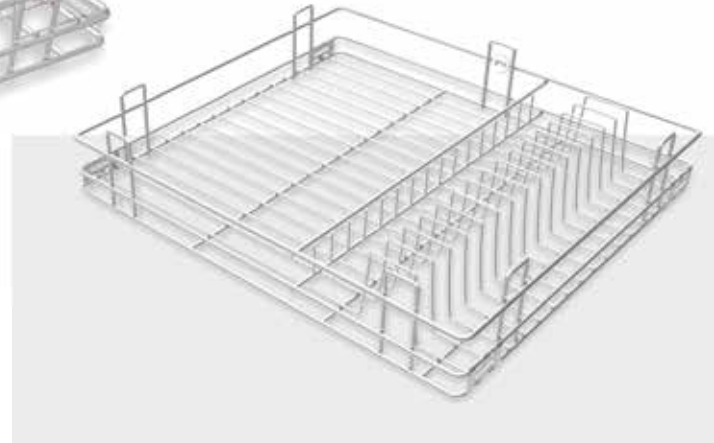
Bowls



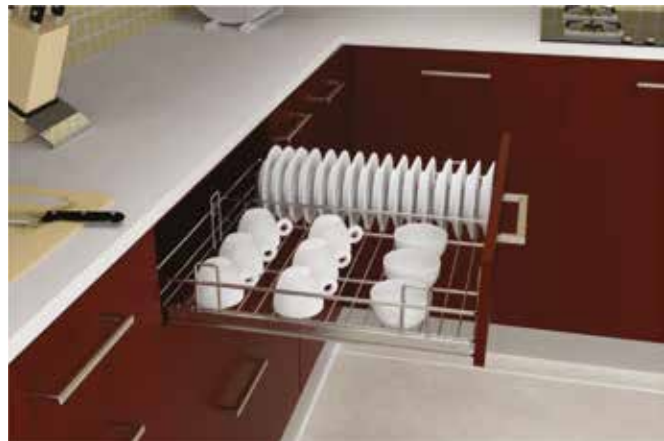
Glasses

## CUP & SAUCER SS BASKET

**10**  
YEARS  
WARRANTY



## APPLICATION



Cup and  
Saucer



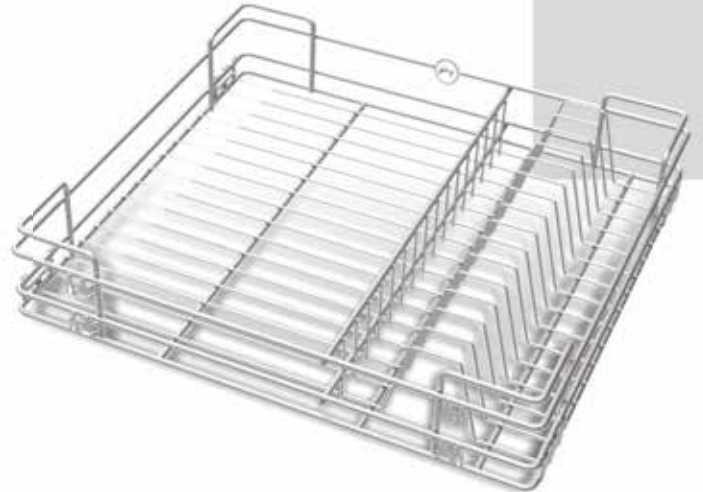
Small  
Glass Bowls



Mug

## CUP & SAUCER SS 304 BASKET

**15**  
YEARS  
WARRANTY



## APPLICATION



Cup and  
Saucer



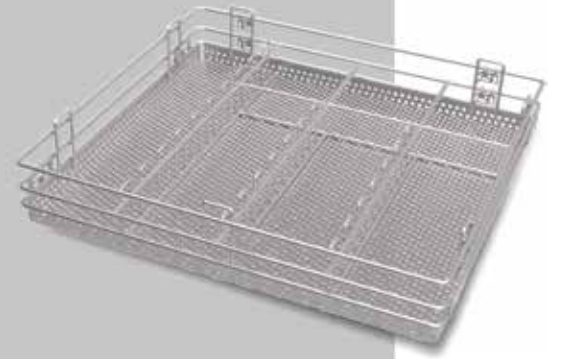
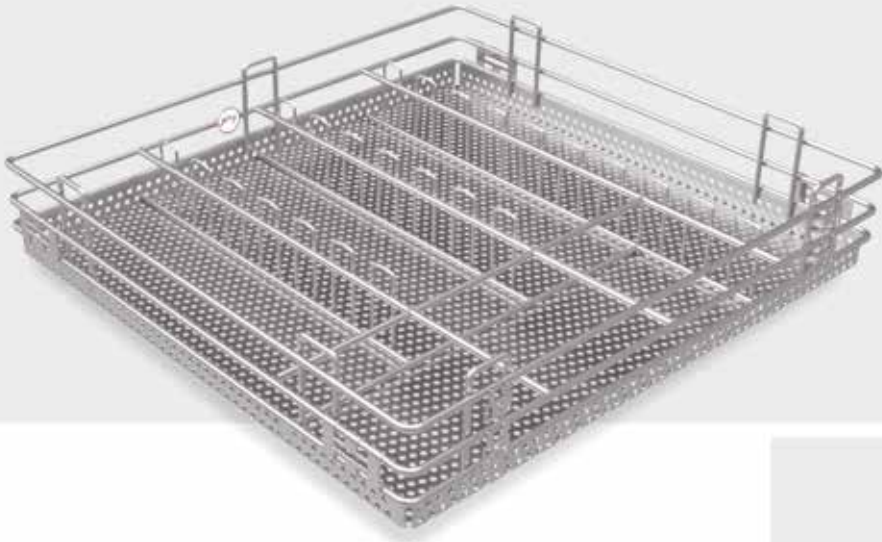
Small  
Glass Bowls



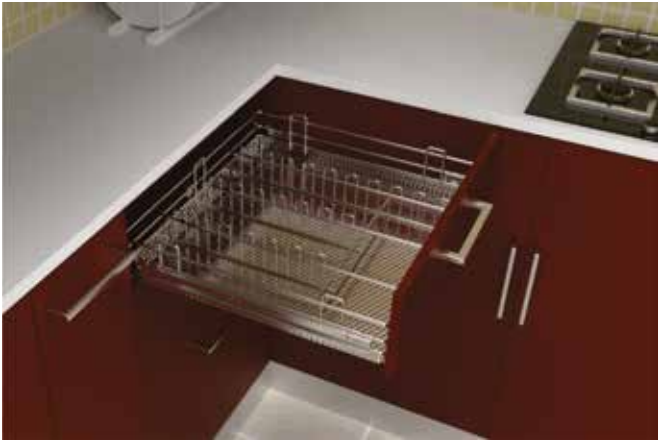
Mug

## PERFORATED CUTLERY SS BASKET

**10**  
YEARS  
WARRANTY



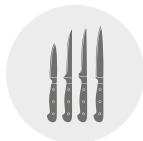
## APPLICATION



Spoons  
Spatulas



Small  
Glass Bowls



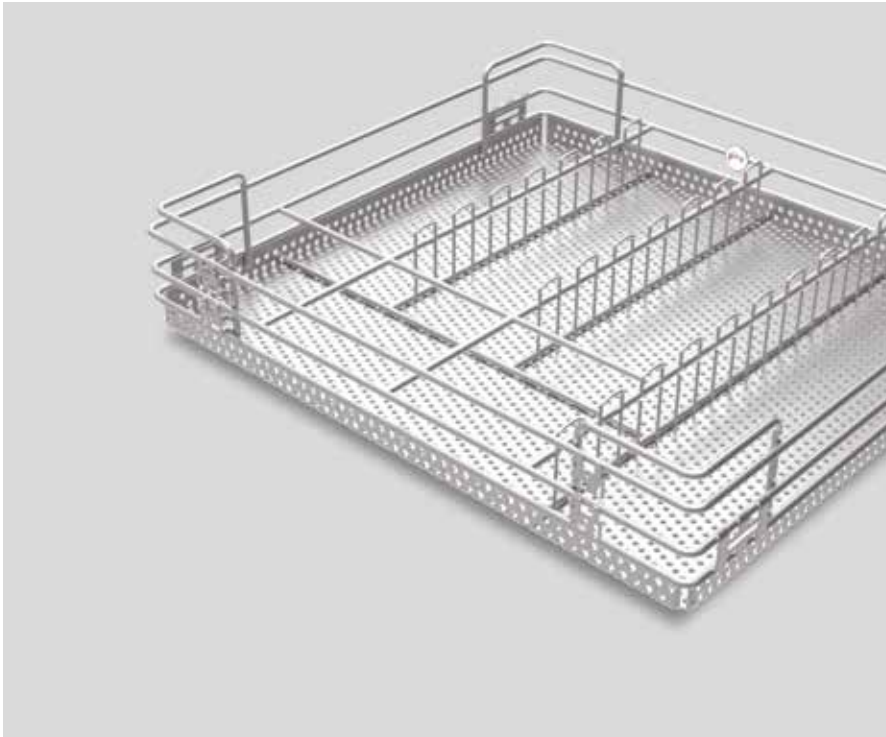
Knives



Scissors



## PERFORATED CUTLERY SS 304 BASKET



**15**  
YEARS  
WARRANTY



## APPLICATION



Spoons  
Spatulas



Small  
Glass Bowls



Knives



Scissors

## TWO SHELF PULL OUT SS

**10**  
YEARS  
WARRANTY



## APPLICATION



Tin



Glass Jar



Bottles



Spice Jar

## TWO SHELF PULL OUT SS 304

**15**  
YEARS  
WARRANTY



## APPLICATION



Tetra Pack



Bottles



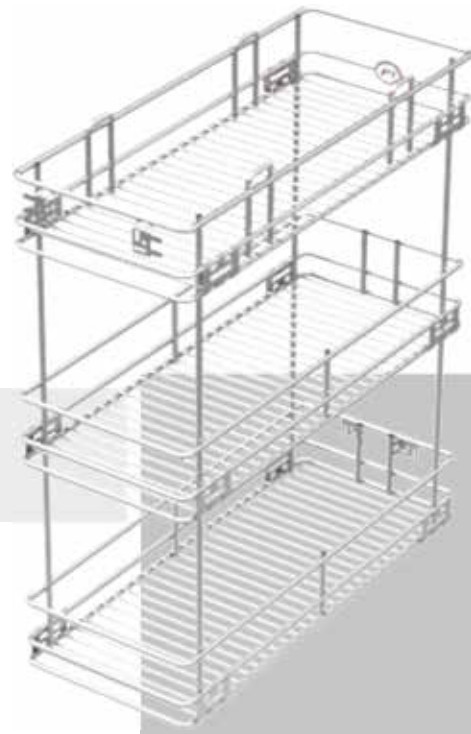
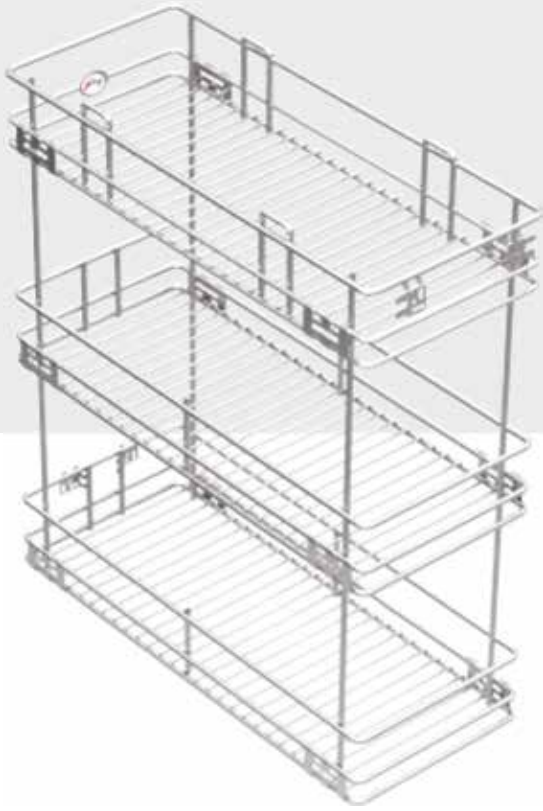
Glass Jar



Spice Jar

## THREE SHELF PULL OUT SS

**10**  
YEARS  
WARRANTY



## APPLICATION



Tin



Glass Jar



Bottles



Spice Jar

## THREE SHELF PULL OUT SS 304



**15**  
YEARS  
WARRANTY

## APPLICATION



Tetra Pack



Bottles



Glass Jar



Spice Jar

SCAN THE QR CODE  
TO WATCH THE VIDEO



## GRAIN TROLLEY SS

**10**  
YEARS  
WARRANTY



## APPLICATION



Big  
Container



Small  
Container

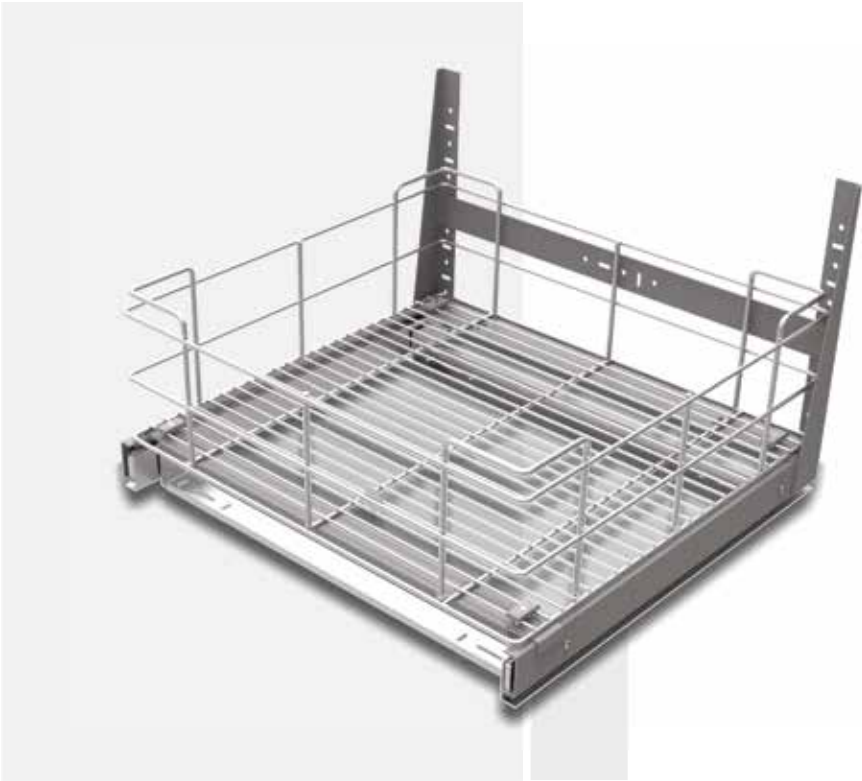


Grain Storage  
Container



Packaged  
Atta Packages

## GRAIN TROLLEY SS 304



**15**  
YEARS  
WARRANTY



## APPLICATION



Big  
Container



Small  
Container



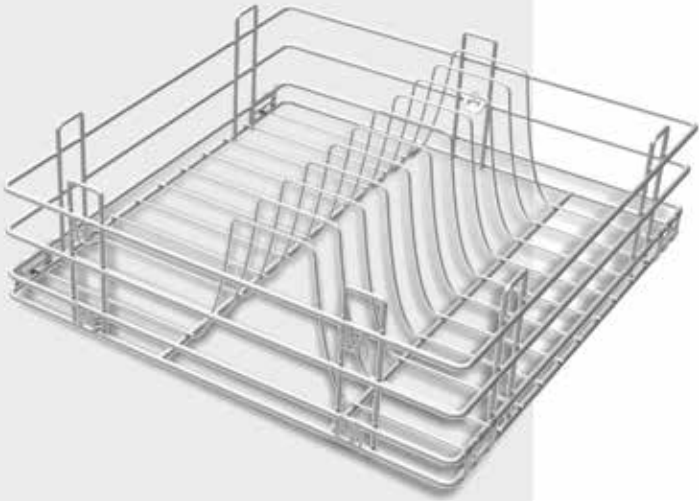
Grain Storage  
Container



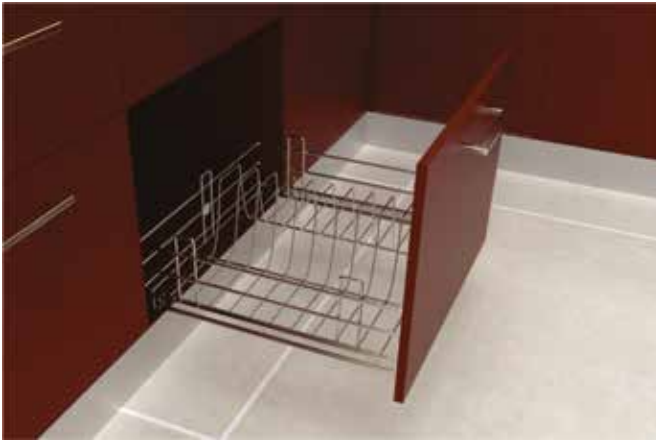
Packaged  
Atta Packages

## THALI PLATE BASKET SS

**10**  
YEARS  
WARRANTY



## APPLICATION



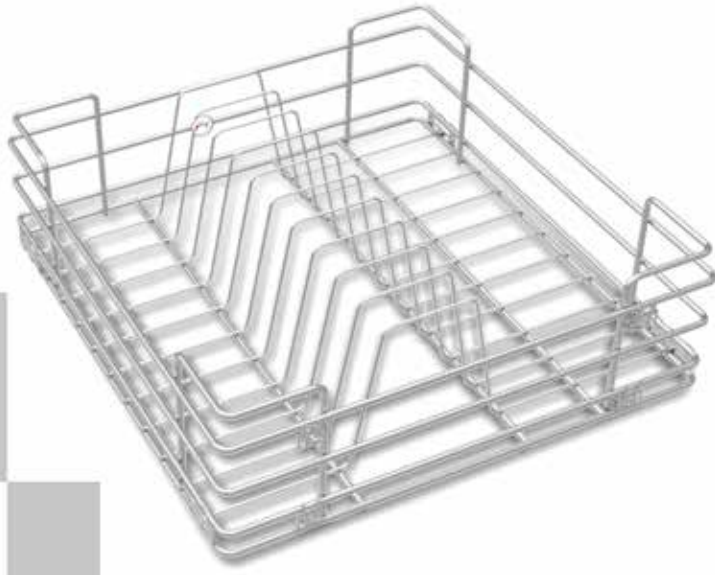
Big Thali



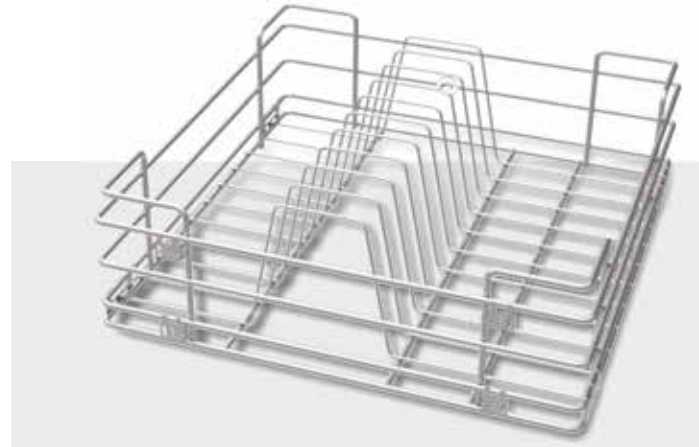
Plates



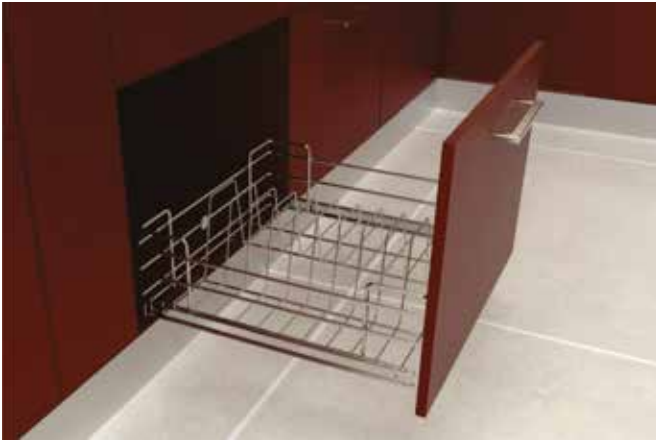
## THALI PLATE BASKET SS 304



**15**  
YEARS  
WARRANTY



## APPLICATION



Big Thali



Plates

**PLAIN BASKET SS**

Sr. No.	Code	Product Description	Size in Centimetre	Size in Inches
1	3996	Plain Basket SS	34.5x45x10	14 X 18 X 4
2	3998	Plain Basket SS	34.5x45x15	14 X 18 X 6
3	4000	Plain Basket SS	34.5x45x20	14 X 18 X 8
4	3827	Plain Basket SS	37x45x10	15 X 18 X 4
5	3828	Plain Basket SS	37x45x15	15 X 18 X 6
6	3845	Plain Basket SS	37x45x20	15 X 18 X 8
7	3846	Plain Basket SS	39.5x45x10	16 X 18 X 4
8	3847	Plain Basket SS	39.5x45x15	16 X 18 X 6
9	3848	Plain Basket SS	39.5x45x20	16 X 18 X 8
10	3855	Plain Basket SS	39.5x48.5x10	16 X 20 X 4
11	3875	Plain Basket SS	39.5x48.5x15	16 X 20 X 6
12	3876	Plain Basket SS	39.5x48.5x20	16 X 20 X 8
13	3883	Plain Basket SS	42x45x10	17 X 18 X 4
14	3884	Plain Basket SS	42x45x15	17 X 18 X 6
15	3885	Plain Basket SS	42x45x20	17 X 18 X 8
16	3886	Plain Basket SS	44.5x45x10	18 X 18 X 4
17	3887	Plain Basket SS	44.5x45x15	18 X 18 X 6
18	3888	Plain Basket SS	44.5x45x20	18 X 18 X 8
19	3889	Plain Basket SS	44.5x48.5x10	18x20x4
20	3891	Plain Basket SS	44.5x48.5x15	18x20x6
21	3892	Plain Basket SS	44.5x48.5x20	18x20x8
22	3728	Plain Basket SS	47x45x10	19 X 18 X 4
23	3732	Plain Basket SS	47x45x15	19 X 18 X 6
24	3733	Plain Basket SS	47x45x20	19 X 18 X 8
25	3752	Plain Basket SS	49.5x45x10	20 X 18 X 4
26	3754	Plain Basket SS	49.5x45x15	20 X 18 X 6
27	3755	Plain Basket SS	49.5x45x20	20 X 18 X 8
28	3757	Plain Basket SS	49.5x48.5x10	20 X 20 X 4
29	3756	Plain Basket SS	49.5x48.5x15	20 X 20 X 6
30	3758	Plain Basket SS	49.5x48.5x20	20 X 20 X 8
31	3771	Plain Basket SS	52x45x10	21 X 18 X 4
32	3772	Plain Basket SS	52x45x15	21 X 18 X 6
33	3776	Plain Basket SS	52x45x20	21 X 18 X 8
34	3787	Plain Basket SS	54.5x48.5x10	21x20x4
35	3788	Plain Basket SS	54.5x48.5x15	21x20x6
36	3789	Plain Basket SS	54.5x48.5x20	21x20x8
37	3806	Plain Basket SS	34.5x48.5x10	345 X20x4
38	3807	Plain Basket SS	34.5x48.5x15	14 X 20 X 6
39	3808	Plain Basket SS	34.5x48.5x20	14 X 20 X 8
40	6120	Plain Basket SS	37x48.5x10	15 X 20 X 4
41	6121	Plain Basket SS	37x48.5x15	15 X 20 X 6
42	6122	Plain Basket SS	37x48.5x20	15 X 20 X 8
43	6123	Plain Basket SS	42x48.5x10	17 X 20 X 4
44	6124	Plain Basket SS	42x48.5x15	17 X 20 X 6
45	6125	Plain Basket SS	42x48.5x20	17 X 20 X 8
46	5902	Plain Basket SS	47x48.5x10	19 X 20 X 4

47	5903	Plain Basket SS	47x48.5x15	19 X 20 X 6
48	5904	Plain Basket SS	47x48.5x20	19 X 20 X 8
49	6126	Plain Basket SS	52x48.5x10	21 X 20 X 4
50	6127	Plain Basket SS	52x48.5x15	21 X 20 X 6
51	6128	Plain Basket SS	52x48.5x20	21 X 20 X 8
52	5850	Plain Basket SS	37x53.5x10	15 X 22 X 4
53	5851	Plain Basket SS	37x53.5x15	15 X 22 X 6
54	5852	Plain Basket SS	37x53.5x20	15 X 22 X 8
55	5853	Plain Basket SS	42x53.5x10	17 X 22 X 4
56	5854	Plain Basket SS	42x53.5x15	17 X 22 X 6
57	5855	Plain Basket SS	42x53.5x20	17 X 22 X 8
58	5856	Plain Basket SS	47x53.5x10	19 X 22 X 4
59	5857	Plain Basket SS	47x53.5x15	19 X 22 X 6
60	5858	Plain Basket SS	47x53.5x20	19 X 22 X 8
61	5859	Plain Basket SS	52x53.5x10	21 X 22 X 4
62	5860	Plain Basket SS	52x53.5x15	21 X 22 X 6
63	5861	Plain Basket SS	52x53.5x20	21 X 22 X 8
64	5708	Plain Basket SS	37x58.5x10	15 X 24 X 4
65	5709	Plain Basket SS	37x58.5x15	15 X 24 X 6
66	5710	Plain Basket SS	37x58.5x20	15 X 24 X 8
67	5711	Plain Basket SS	42x58.5x10	17 X 24 X 4
68	5712	Plain Basket SS	42x58.5x15	17 X 24 X 6
69	5713	Plain Basket SS	42x58.5x20	17 X 24 X 8
70	5714	Plain Basket SS	47x58.5x10	19 X 24 X 4
71	5715	Plain Basket SS	47x58.5x15	19 X 24 X 6
72	5716	Plain Basket SS	47x58.5x20	19 X 24 X 8
73	5717	Plain Basket SS	52x58.5x10	21 X 24 X 4
74	5718	Plain Basket SS	52x58.5x15	21 X 24 X 6
75	5719	Plain Basket SS	52x58.5x20	21 X 24 X 8

**PLAIN BASKET SS - 304**

Sr. No.	Code	Product Description	Size in Centimetre	Size in Inches
1	6148	Plain Basket SS 304	37x48.5x10	15 X 20 X 4
2	6149	Plain Basket SS 304	37x48.5x15	15 X 20 X 6
3	6150	Plain Basket SS 304	37x48.5x20	15 X 20 X 8
4	6151	Plain Basket SS 304	42x48.5x10	17 X 20 X 4
5	6152	Plain Basket SS 304	42x48.5x15	17 X 20 X 6
6	6153	Plain Basket SS 304	42x48.5x20	17 X 20 X 8
7	5910	Plain Basket SS 304	47x48.5x10	19 X 20 X 4
8	5911	Plain Basket SS 304	47x48.5x15	19 X 20 X 6
9	5912	Plain Basket SS 304	47x48.5x20	19 X 20 X 8
10	6154	Plain Basket SS 304	52x48.5x10	21 X 20 X 4
11	6155	Plain Basket SS 304	52x48.5x15	21 X 20 X 6
12	6156	Plain Basket SS 304	52x48.5x20	21 X 20 X 8

### Two Shelf SS Pullout

Sr. No.	Code	Product Description	Size in Centimetre	Size in Inches
1	2260	Two Shelf SS Pullout	15x45x43	6x18x17
2	2261	Two Shelf SS Pullout	20x45x43	8x18x17
3	6141	Two Shelf SS Pullout	15x48.5x43	6 X 20 X 17
4	6142	Two Shelf SS Pullout	20x48.5x43	8 X 20 X 17

### Two Shelf Pull Out SS - 304

Sr. No.	Code	Product Description	Size in Centimetre	Size in Inches
1	6169	Two Shelf Pull Out SS 304	15x48.5x43	6 X 20 X 17
2	6170	Two Shelf Pull Out SS 304	20x48.5x43	8 X 20 X 17

### THREE SHELF PULL OUT – SS

Sr. No.	Code	Product Description	Size in Centimetre	Size in Inches
1	6143	Three Shelf Pull Out SS	15x48.5x53	6 X 20 X 19
2	6144	Three Shelf Pull Out SS	20x48.5x53	8 X 20 X 19
3	2262	Three Shelf Pull Out SS	15x45x53	6 x 18 x 19
4	2263	Three Shelf Pull Out SS	20x45x53	8 x 18 x 19

### THREE SHELF PULL OUT – SS 304

Sr. No.	Code	Product Description	Size in Centimetre	Size in Inches
1	6171	Three Shelf Pull Out SS 304	15x48.5x53	6 X 20 X 19
2	6172	Three Shelf Pull Out SS 304	20x48.5x53	8 X 20 X 19

### PERFORATED CUTLERY BASKET - SS

Sr. No.	Code	Product Description	Size in Centimetre	Size in Inches
1	3687	Perforated Cutlery Basket SS	34.5x45x10	14 X 18 X 4
2	3692	Perforated Cutlery Basket SS	37x45x10	15 X 18 X 4
3	3694	Perforated Cutlery Basket SS	39.5x45x10	16 X 18 X 4
4	3562	Perforated Cutlery Basket SS	42x45x10	17 X 18 X 4
5	3564	Perforated Cutlery Basket SS	44.5x45x10	18 X 18 X 4
6	3595	Perforated Cutlery Basket SS	47x45x10	19 X 18 X 4
7	3408	Perforated Cutlery Basket SS	49.5x45x10	20 X 18 X 4
8	412	Perforated Cutlery Basket SS	52x45x10	21 X 18 X 4
9	3688	Perforated Cutlery Basket SS	34.5x48.5x10	14 X 20 X 4
10	6132	Perforated Cutlery Basket SS	37x48.5x10	15 X 20 X 4
11	3696	Perforated Cutlery Basket SS	39.5x48.5x10	16 X 20 X 4
12	6133	Perforated Cutlery Basket SS	42x48.5x10	17 X 20 X 4
13	3575	Perforated Cutlery Basket SS	44.5x48.5x10	18 X 20 X 4
14	3409	Perforated Cutlery Basket SS	49.5x48.5x10	20 X 20 X 4
15	5906	Perforated Cutlery Basket SS	47x48.5x10	19 X 20 X 4
16	6134	Perforated Cutlery Basket SS	52x48.5x10	21 X 20 X 4
17	3413	Perforated Cutlery Basket SS	54.5x48.5x10	54.5 X 20 X 4
18	5868	Perforated Cutlery Basket SS	37x53.5x10	15 X 22 X 4
19	5869	Perforated Cutlery Basket SS	42x53.5x10	17 X 22 X 4
20	5870	Perforated Cutlery Basket SS	47x53.5x10	19 X 22 X 4
21	5871	Perforated Cutlery Basket SS	52x53.5x10	21 X 22 X 4
22	5724	Perforated Cutlery Basket SS	37x58.5x10	15 X 24 X 4
23	5725	Perforated Cutlery Basket SS	42x58.5x10	17 X 24 X 4
24	5726	Perforated Cutlery Basket SS	47x58.5x10	19 X 24 X 4
25	5727	Perforated Cutlery Basket SS	52x58.5x10	21 X 24 X 4

### PERFORATED CUTLERY BASKET – SS 304

Sr. No.	Code	Product Description	Size in Centimetre	Size in Inches
1	6160	Perforated Cutlery Basket SS 304	37x48.5x10	15 X 20 X 4
2	6161	Perforated Cutlery Basket SS 304	42x48.5x10	17 X 20 X 4
3	5914	Perforated Cutlery Basket SS 304	47x48.5x10	19 X 20 X 4
4	6162	Perforated Cutlery Basket SS 304	52x48.5x10	21 X 20 X 4

## THALI – PLATE BASKET – SS

Sr. No.	Code	Product Description	Size in Centimetre	Size in Inches
1	3415	Thali - Plate Basket SS	34.5x45x15	14 X 18 X 6
2	3416	Thali - Plate Basket SS	34.5x45x20	14 X 18 X 8
3	3423	Thali - Plate Basket SS	37x45x15	15 X 18 X 6
4	3424	Thali - Plate Basket SS	37x45x20	15 X 18 X 8
5	3425	Thali - Plate Basket SS	39.5x45x15	16 X 18 X 6
6	3426	Thali - Plate Basket SS	39.5x45x20	16 X 18 X 8
7	3434	Thali - Plate Basket SS	42x45x15	17 X 18 X 6
8	3435	Thali - Plate Basket SS	42x45x20	17 X 18 X 8
9	3436	Thali - Plate Basket SS	44.5x45x15	18 X 18 X 6
10	3437	Thali - Plate Basket SS	44.5x45x20	18 X 18 X 8
11	3462	Thali - Plate Basket SS	47x45x15	19 X 18 X 6
12	3463	Thali - Plate Basket SS	47x45x20	19 X 18 X 8
13	3464	Thali - Plate Basket SS	49.5x45x15	20 X 18 X 6
14	3465	Thali - Plate Basket SS	49.5x45x20	20 X 18 X 8
15	3472	Thali - Plate Basket SS	52x45x15	21 X 18 X 6
16	3473	Thali - Plate Basket SS	52x45x20	21 X 18 X 8
17	3417	Thali - Plate Basket SS	34.5x48.5x15	14 X 20 X 6
18	3418	Thali - Plate Basket SS	34.5x48.5x20	14 X 20 X 8
19	6135	Thali - Plate Basket SS	37x48.5x15	15 X 20 X 6
20	6136	Thali - Plate Basket SS	37x48.5x20	15 X 20 X 8
21	6137	Thali - Plate Basket SS	42x48.5x15	17 X 20 X 6
22	3427	Thali - Plate Basket SS	39.5x48.5x15	16 X 20 X 6
23	3429	Thali - Plate Basket SS	39.5x48.5x20	16 X 20 X 8
24	6138	Thali - Plate Basket SS	42x48.5x20	17 X 20 X 8
25	5907	Thali - Plate Basket SS	47x48.5x15	19 X 20 X 6
26	3439	Thali - Plate Basket SS	44.5x48.5x15	18 X 20 X 6
27	3441	Thali - Plate Basket SS	44.5x48.5x20	18 X 20 X 8
28	5908	Thali - Plate Basket SS	47x48.5x20	19 X 20 X 8
29	6139	Thali - Plate Basket SS	52x48.5x15	21 X 20 X 6
30	3466	Thali - Plate Basket SS	49.5x48.5x15	20 X 20 X 6
31	3467	Thali - Plate Basket SS	49.5x48.5x20	20 X 20 X 8
32	6140	Thali - Plate Basket SS	52x45x20	21 X 20 X 8
33	5872	Thali - Plate Basket SS	37x53.5x15	15 X 22 X 6
34	3474	Thali - Plate Basket SS	54.5x48.5x15	545 X 20 X 6
35	3475	Thali - Plate Basket SS	54.5x48.5x20	545 X 20 X 8
36	5873	Thali - Plate Basket SS	37x53.5x20	15 X 22 X 8
37	5874	Thali - Plate Basket SS	42x53.5x15	17 X 22 X 6

38	5875	Thali - Plate Basket SS	42x53.5x20	17 X 22 X 8
39	5876	Thali - Plate Basket SS	47x53.5x15	19 X 22 X 6
40	5877	Thali - Plate Basket SS	47x53.5x20	19 X 22 X 8
41	5878	Thali - Plate Basket SS	52x53.5x15	21 X 22 X 6
42	5879	Thali - Plate Basket SS	52x53.5x20	21 X 22 X 8
43	5728	Thali - Plate Basket SS	37x58.5x15	15 X 24 X 6
44	5729	Thali - Plate Basket SS	37x58.5x20	15 X 24 X 8
45	5730	Thali - Plate Basket SS	42x58.5x15	17 X 24 X 6
46	5731	Thali - Plate Basket SS	42x58.5x20	17 X 24 X 8
47	5732	Thali - Plate Basket SS	47x58.5x15	19 X 24 X 6
48	5733	Thali - Plate Basket SS	47x58.5x20	19 X 24 X 8
49	5734	Thali - Plate Basket SS	52x58.5x15	21 X 24 X 6
50	5735	Thali - Plate Basket SS	52x58.5x20	21 X 24 X 8

## THALI – PLATE BASKET – SS 304

Sr. No.	Code	Product Description	Size in Centimetre	Size in Inches
1	6163	Thali - Plate Basket SS 304	37x48.5x15	15 X 20 X 6
2	6164	Thali - Plate Basket SS 304	37x48.5x20	15 X 20 X 8
3	6165	Thali - Plate Basket SS 304	42x48.5x15	17 X 20 X 6
4	6166	Thali - Plate Basket SS 304	42x48.5x20	17 X 20 X 8
5	5915	Thali - Plate Basket SS 304	47x48.5x15	19 X 20 X 6
6	5916	Thali - Plate Basket SS 304	47x48.5x20	19 X 20 X 8
7	6167	Thali - Plate Basket SS 304	52x48.5x15	21 X 20 X 6
8	6168	Thali - Plate Basket SS 304	52x48.5x20	21 X 20 X 8

### CUP & SAUCER BASKET - SS

Sr. No.	Code	Product Description	Size in Centimetre	Size in Inches
1	3603	Cup & Saucer Basket SS	34.5x45x10	14 X 18 X 4
2	3609	Cup & Saucer Basket SS	37x45x10	15 X 18 X 4
3	3610	Cup & Saucer Basket SS	39.5x45x10	16 X 18 X 4
4	3620	Cup & Saucer Basket SS	42x45x10	17 X 18 X 4
5	3621	Cup & Saucer Basket SS	44.5x45x10	18 X 18 X 4
6	3625	Cup & Saucer Basket SS	47x45x10	19 X 18 X 4
7	3626	Cup & Saucer Basket SS	49.5x45x10	20 X 18 X 4
8	3684	Cup & Saucer Basket SS	52x45x10	21 X 18 X 4
9	3604	Cup & Saucer Basket SS	34.5x48.5x10	14 X 20 X 4
10	6129	Cup & Saucer Basket SS	37x48.5x10	15 X 20 X 4
11	3613	Cup & Saucer Basket SS	39.5x48.5x10	16 X 20 X 4
12	6130	Cup & Saucer Basket SS	42x48.5x10	17 X 20 X 4
13	3622	Cup & Saucer Basket SS	44.5x48.5x10	18 X 20 X 4
14	5905	Cup & Saucer Basket SS	47x48.5x10	19 X 20 X 4
15	3627	Cup & Saucer Basket SS	49.5x48.5x10	20 X 20 X 4
16	6131	Cup & Saucer Basket SS	52x48.5x10	21 X 20 X 4
17	3685	Cup & Saucer Basket SS	54.5x48.5x10	54.5 X 20 X 4
18	5864	Cup & Saucer Basket SS	37x53.5x10	15 X 22 X 4
19	5865	Cup & Saucer Basket SS	42x53.5x10	17 X 22 X 4
20	5866	Cup & Saucer Basket SS	47x53.5x10	19 X 22 X 4
21	5867	Cup & Saucer Basket SS	52x53.5x10	21 X 22 X 4
22	5720	Cup & Saucer Basket SS	37x58.5x10	15 X 24 X 4
23	5721	Cup & Saucer Basket SS	42x58.5x10	17 X 24 X 4
24	5722	Cup & Saucer Basket SS	47x58.5x10	19 X 24 X 4
25	5723	Cup & Saucer Basket SS	52x58.5x10	21 X 24 X 4

### CUP & SAUCER BASKET – SS 304

Sr. No.	Code	Product Description	Size in Centimetre	Size in Inches
1	6157	Cup & Saucer Basket SS 304	37x48.5x10	15 X 20 X 4
2	6158	Cup & Saucer Basket SS 304	42x48.5x10	17 X 20 X 4
3	5913	Cup & Saucer Basket SS 304	47x48.5x10	19 X 20 X 4
4	6159	Cup & Saucer Basket SS 304	52x48.5x10	21 X 20 X 4

### GRAIN TROLLEY – SS

Sr. No.	Code	Product Description	Size in Centimetre	Size in Inches
1	6145	Grain Trolley SS	37.5x48.5x35	15 X 20 X 14
2	6146	Grain Trolley SS	42.5x48.5x35	17 X 20 X 14
3	5909	Grain Trolley SS	47x48.5x35	19 X 20 X 14
4	6147	Grain Trolley SS	52.5x48.5x35	21 X 20 X 14

### GRAIN TROLLEY – SS 304

Sr. No.	Code	Product Description	Size in Centimetre	Size in Inches
1	6173	Grain Trolley SS 304	37.5x48.5x35	15 X 20 X 14
2	6174	Grain Trolley SS 304	42.5x48.5x35	17 X 20 X 14
3	5917	Grain Trolley SS 304	47x48.5x35	19 X 20 X 14
4	6175	Grain Trolley SS 304	52.5x48.5x35	21 X 20 X 14

# MIDWAY SERIES





Glass Jar



Spice Jar



Glass Tin

# HANGING SPICE RACK

## Key Features:

- SS with chrome
- Three shelf spaces
- Hanging type mechanism
- PVC bush at the end

## Product code

4970

## Benefits:

- Appealing bright finish and rust resistance
- Sufficient storage space
- Easy to install and remove
- To avoid sharp edges and acts as cushion on the wall

## Application:

- Spice jars
- Small bottles



Glass Jar



Spice Jar



Glass Tin



Paper Napkin

# HANGING PAPER & FOIL CUTTER

## Key Features:

- SS with chrome
- Three shelf spaces
- Hanging type mechanism
- Sharp and concealed cutting device
- PVC bush at the end

## Product code

4971

## Benefits:

- Appealing bright finish and rust resistance
- Sufficient storage space
- Easy to install and remove
- To give exact size of sheet from roll and to cutting device avoiding hurt of hand
- To avoid sharp edges and acts as cushion on the wall

## Application:

- Aluminium foil holder and cutter
- Shrink rack holder and cutter
- Tissue paper holder
- Napkin holder



# HANGING MULTIPURPOSE DOUBLE RACK

## Key Features:

- SS with chrome
- Two shelf spaces
- Hanging type mechanism
- Border base

## Product code

4974

## Benefits:

- Appealing bright finish and rust resistance
- Sufficient storage space
- Easy to install and remove
- Can accommodate bigger bottles in kitchen

## Application:

- Sauce bottles
- Sugar bottles
- Salt bottles
- Napkin holder



Glass Jar



Spice Jar



Glass Tin



Paper Napkin

# HANGING MULTIPURPOSE SINGLE RACK

## Key Features:

- SS with chrome
- Two shelf spaces
- Hanging type mechanism
- Border base

## Product code

4803

## Benefits:

- Appealing bright finish and rust resistance
- Sufficient storage space
- Easy to install and remove
- Can accommodate bigger bottles in kitchen

## Application:

- Sauce bottles
- Sugar bottles
- Salt bottles



Glass Jar



Spice Jar



Glass Tin



Paper Napkin

# HANGING CORNER RACK



Small  
Glass Jars



Small  
Glass Bottles

## Key Features:

- SS with chrome
- Three shelf spaces
- Hanging type mechanism
- Triangular shape

## Product code

4981

## Benefits:

- Appealing bright finish and rust resistance
- Sufficient storage space
- Easy to install and remove
- Can accommodate in kitchen corners

## Application:

- Ideal for storing necessary items in kitchen corners
- Kitchen food bottles

# TUBE HOLDER KIT



#### Key Features:

- Tube holder in brass
- SS with chrome

#### Benefits:

- Solid grip and long life
- Appealing bright finish and rust resistance

#### Product code

4982

#### Application:

- Suitable for hanging  
Godrej Kitchen fittings Mid Way Range

# TUBE - 2Ft / 3 Ft / 4 Ft

#### Key Features:

- SS with chrome tube

#### Benefits:

- Appealing bright finish and rust resistance

#### Product code

4983 / 4984 / 4985

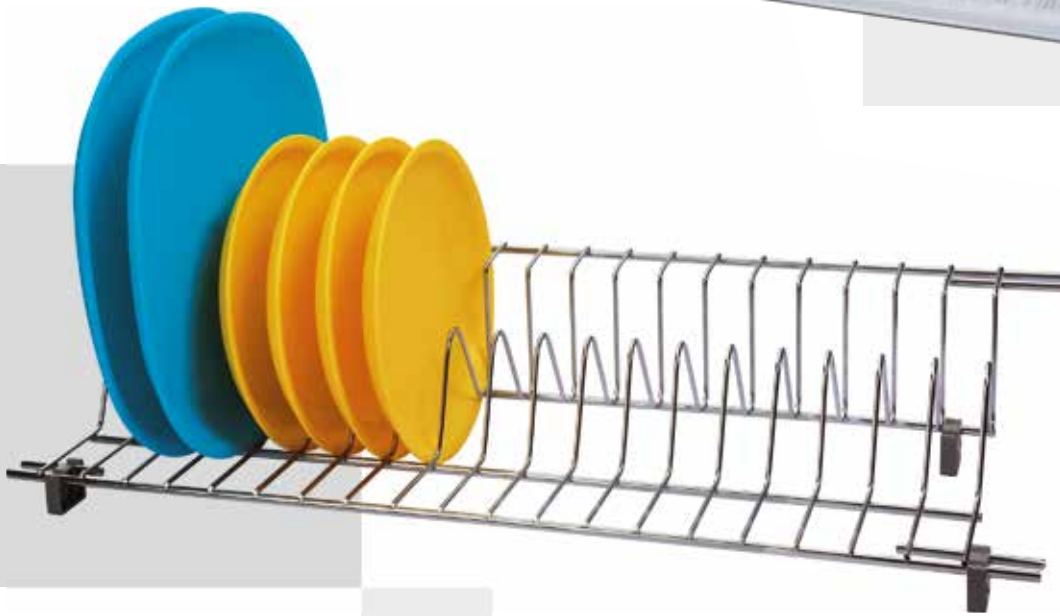
#### Application:

- Suitable for hanging  
Godrej Kitchen fittings Mid Way Range

# ACCESSORIES



## ACCESSORIES



Plates



Glass

# GLASS TRAY PLATE TRAY

### Key Features:

- Designed to accommodate wet glasses, plates & guides water drainage
- Drip tray ensures easy water accumulation & removal

### Application:

- Organising Glass & Plates in top cabinets

### Usage:

- Plates & Glass

Glass Tray Plate Tray SS

53.5 cm

Product Code: 5795

Glass Tray Plate Tray SS

61 cm

Product Code: 5796

## ACCESSORIES



# WASTE BIN

### Key Features:

- Collect waste hygienically
- Plastic inner bucket with SS on the outer side

### Capacity:

- 14 Litres

Waste Bin 14 Litres Black SS

Product Code: 6495

### Application:

- Under the sink

### Usage:

- Collect kitchen waste

# WASTE BIN HOLDER



Waste Bin Holder SS

Product Code: 5798

Waste Bin Shutter SS

Product Code: 5799

Cylinder Trolley

Product Code: 5800



## ACCESSORIES



# SKID-FREE MAT

### Key Features:

- Skid-free mat to avoid collision between dishes, cutleries, utensils, etc.
- Avoid water-related damage to drawer bottoms

Skid-Free Mat 47 x 500 cm Grey

Product Code: 6484

### Skid-Free Mat

47 x 500 cm Grey

Product Code: 6484

### Usage:

- Protecting bottom of drawers

Skid-Free Mat 52 x 500 cm Grey

Product Code: 6585

### Skid-Free Mat

52 x 500 cm Grey

Product Code: 6585

\*Dimensions: W x H

# CHANNELS



DRAWER CHANNELS



## MOVINO CHANNEL FOR WOODEN DRAWER



### Key Features:

- Easy to install
- Precise soft closing mechanism for smooth closing of baskets
- Low maintenance slides
- Load-bearing capacity: 30 kg

### Application:

- Under the drawers

### Usage:

- For smooth motion of wooden drawers

Movino Drawer  
Channel 30 cm  
Product Code: 6579

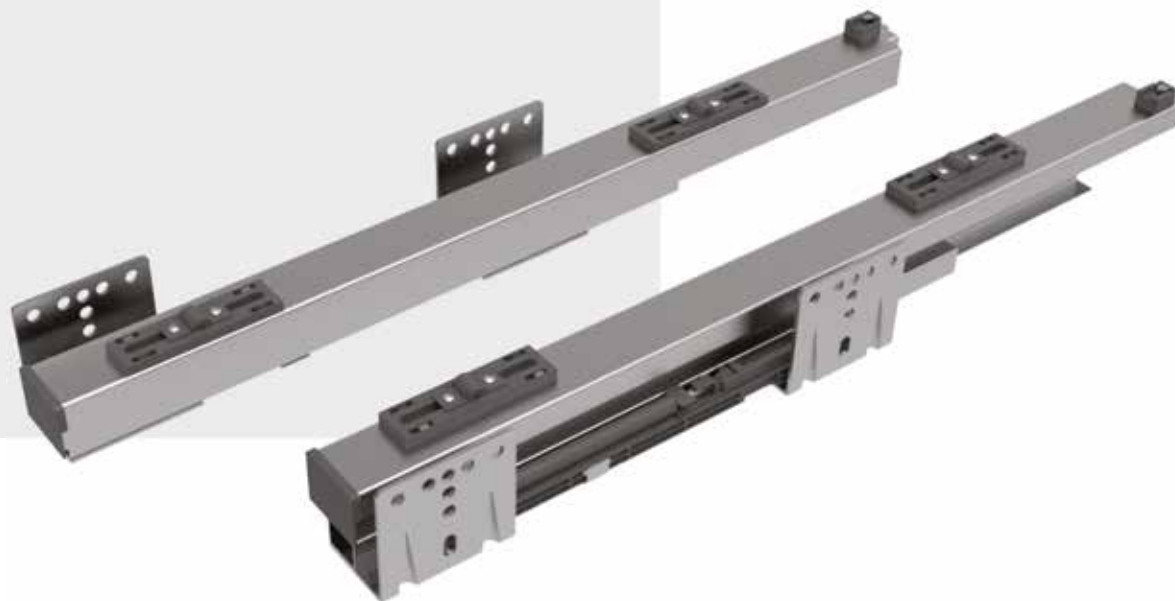
Movino Drawer  
Channel 35 cm  
Product Code: 6580

Movino Drawer  
Channel 40 cm  
Product Code: 6581

Movino Drawer  
Channel 45 cm  
Product Code: 6582

Movino Drawer  
Channel 50 cm  
Product Code: 6583

## MOVINO CHANNEL FOR BASKET



### Key Features:

- Easy to install
- Precise soft closing mechanism for smooth closing of baskets
- Low maintenance slides
- Load-bearing capacity: 30 kg

### Application:

- Under the drawers

### Usage:

- For smooth motion of wooden drawers

---

Movino Drawer Channel 50 cm for Basket

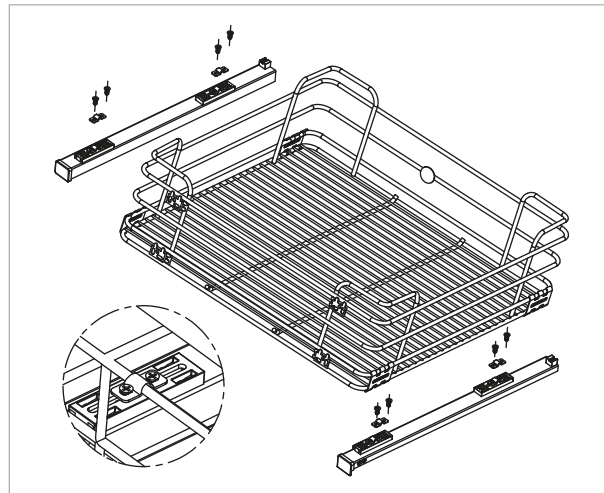
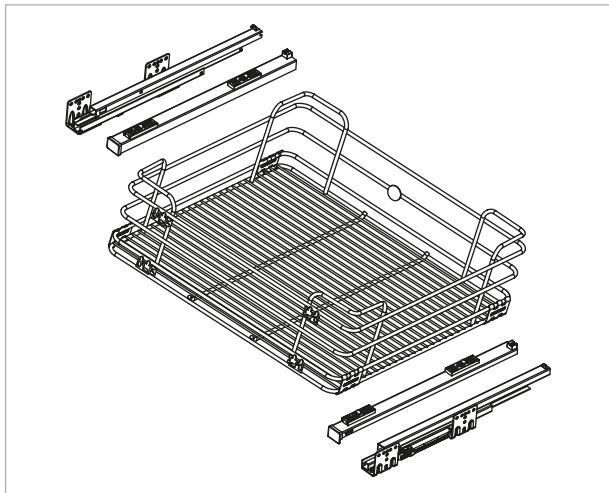
Product Code: 5919

# MOVINO CHANNEL FOR BASKET

## Installation Instructions

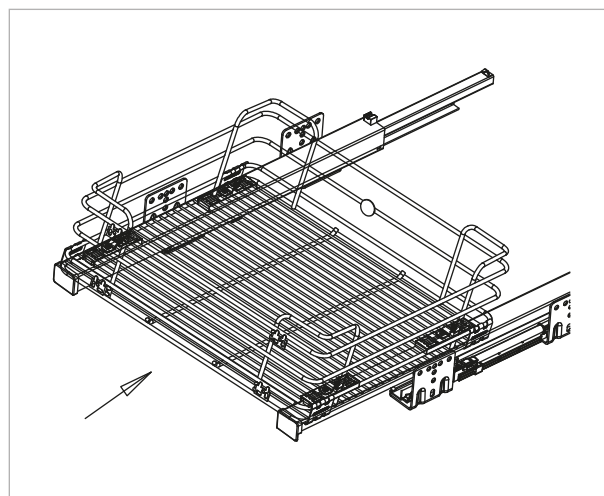
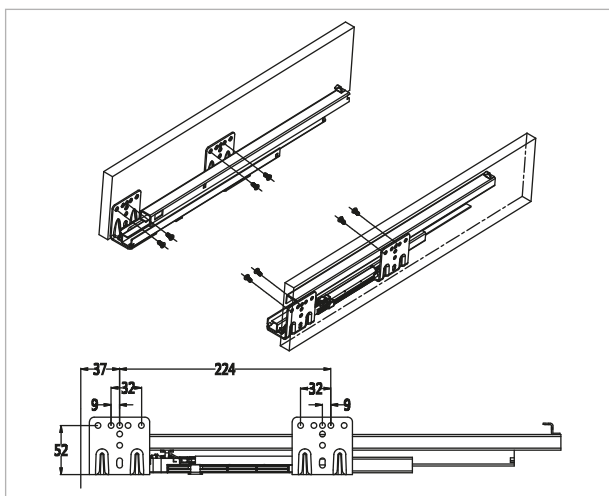
### Movino Basket Channel and Drawer

1. Dismantle the metal clip and fix it on wire of basket with cover on bottom of basket.



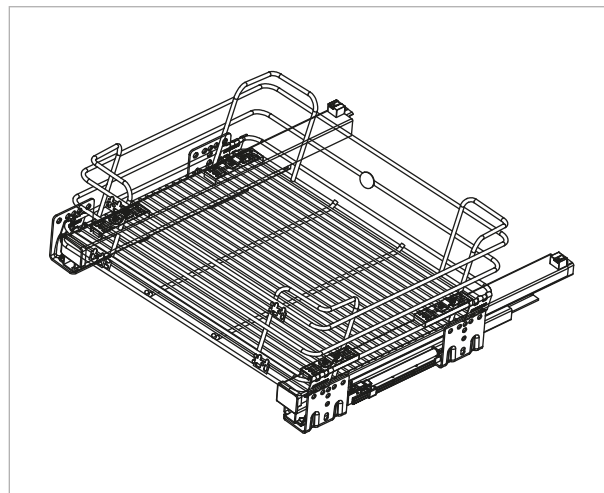
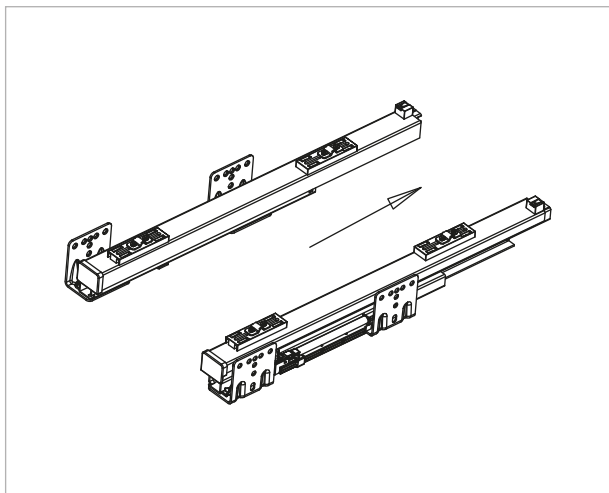
2. Install the slide to the cabinet.

3. Put the wire basket onto the slide and push inside.



4. Check the slide and cover is be matched in good position.

5. Check status of finished assembled basket, and slide cover before use.



## BALL BEARING DRAWER CHANNEL



### Key Features:

- Manufactured from High-grade steel for longevity
- Special anti-rebound function
- Load-bearing capacity: 45 kg
- Latch for easy removal of drawer
- Zinc plated for corrosion resistance

Ball bearing Drawer Channel  
25 cm (10")

Product Code: 8173

Ball bearing Drawer Channel  
40 cm (16")

Product Code: 8176

Ball bearing Drawer Channel  
55 cm (22")

Product Code: 8179

Ball bearing Drawer Channel  
30 cm (12")

Product Code: 8174

Ball bearing Drawer Channel  
45 cm (18")

Product Code: 8177

Ball bearing Drawer Channel  
60 cm (24")

Product Code: 8180

Ball bearing Drawer Channel  
35 cm (14")

Product Code: 8175

Ball bearing Drawer Channel  
50 cm (20")

Product Code: 8178

## BALL BEARING DRAWER CHANNEL - BLACK POWDER COATED



### Key Features:

- Manufactured from High-grade steel for longevity
- Special anti-rebound function
- Load-bearing capacity: 45 kg
- Latch for easy removal of drawer
- Zinc plated for corrosion resistance
- Powder coated for High Corrosion Resistance

Ball bearing Drawer Channel  
25 cm (10")

Product Code: 7831

Ball bearing Drawer Channel  
40 cm (16")

Product Code: 7834

Ball bearing Drawer Channel  
55 cm (22")

Product Code: 7837

Ball bearing Drawer Channel  
30 cm (12")

Product Code: 7832

Ball bearing Drawer Channel  
45 cm (18")

Product Code: 7835

Ball bearing Drawer Channel  
60 cm (24")

Product Code: 7838

Ball bearing Drawer Channel  
35 cm (14")

Product Code: 7833

Ball bearing Drawer Channel  
50 cm (20")

Product Code: 7836

## SOFT CLOSING DRAWER CHANNEL

SOFT  
CLOSE



### Key Features:

- Precision mechanism for smooth operation
- Special anti-rebound function
- Load-bearing capacity: 35 kg
- Latch for easy removal of drawer
- Zinc plated for corrosion resistance

Soft Closing Drawer Channel  
30 cm (12")

Product Code: 7083

Soft Closing Drawer Channel  
45 cm (18")

Product Code: 7086

Ball bearing Drawer Channel  
60 cm (24")

Product Code: 7089

Soft Closing Drawer Channel  
35 cm (14")

Product Code: 7084

Soft Closing Drawer Channel  
50 cm (20")

Product Code: 7087

Soft Closing Drawer Channel  
40 cm (16")

Product Code: 7085

Soft Closing Drawer Channel  
55 cm (22")

Product Code: 7088

## SS 304 DRAWER CHANNEL ZINC PLATED



### Key Features:

- Uniformly distributed load bearing capacity of 45 kg
- Made of SS 304 material - Durable and corrosion resistant
- Steel chrome plated ball bearing for frictionless & smooth operation
- Detachable inner slides - easy to remove and reinsert the drawer
- Precise punched and formed ball cage to avoid misalignments and ensure good performance.

Product Code: 2401

35 cm (14")

UNSPSC code: 30161808SD00436

Product Code: 2404

50 cm (20")

UNSPSC code: 30161808SD00439

Product Code: 2402

40 cm (16")

UNSPSC code: 30161808SD00437

Product Code: 2405

55 cm (22")

UNSPSC code: 30161808SD00440

Product Code: 2403

45 cm (18")

UNSPSC code: 30161808SD00438

## HEAVY DUTY DRAWER CHANNEL



### Key Features:

- Heavy duty application
- Load-bearing capacity: 125 kg
- Full extension of drawer for ease in storage
- Latch for easy removal of drawer
- Zinc plated for corrosion resistance

Heavy Duty Drawer Channel  
45 cm (18")

Product Code: 6901

Heavy Duty Drawer Channel  
60 cm (24")

Product Code: 6904

Heavy Duty Drawer Channel  
75 cm (30")

Product Code: 6907

Heavy Duty Drawer Channel  
50 cm (20")

Product Code: 6902

Heavy Duty Drawer Channel  
65 cm (26")

Product Code: 6905

Heavy Duty Drawer Channel  
80 cm (32")

Product Code: 6908

Heavy Duty Drawer Channel  
55 cm (22")

Product Code: 6903

Heavy Duty Drawer Channel  
70 cm (28")

Product Code: 6906

Heavy Duty Drawer Channel  
80 cm (36")

Product Code: 6998



# CABINET HINGES



## SLIP ON CABINET HINGE - REGULAR



### Key Features:

- Concealed hinges for easy installation
- Wide opening angle for easy storage in cabinet
- Nickel-plated for corrosion resistance
- Tested to BIFMA standards
- Maximum shutter size: 34" x 22" for 2 hinges
- Suitable for cabinet doors from 15 mm to 22 mm thickness
- Shutter cavity:  $\phi$  35 mm, 11.5 mm deep

### Slip on Cabinet Hinge

Full Overlay: 2 Holes

Product Code: 7213

### Slip on Cabinet Hinge

Half Overlay: 2 Holes

Product Code: 7214

### Slip on Cabinet Hinge

Inset: 2 Holes

Product Code: 7215

### Slip on Cabinet Hinge

Full Overlay: 4 Holes

Product Code: 6933

### Slip on Cabinet Hinge

Half Overlay: 4 Holes

Product Code: 6934

### Slip on Cabinet Hinge

Inset: 4 Holes

Product Code: 6935

## SLIP ON SOFT CLOSE 2 HOLE



### Key Features:

- Tested as per BIFMA Standards
- Easy installation with 2 holes slip-on type of mounting plate.
- Parts made of steel duly nickel plated for superior quality and longer life
- shutter size: 34" x 22" for 2 hinges
- Suitable for cabinet doors from 14 mm to 20 mm thickness
- Shutter cavity:  $\phi$  35 mm, 11.8 mm deep

Slip On Soft Close 2 Hole

Full Overlay

Product Code: 2223

Slip On Soft Close 2 Hole

Half Overlay

Product Code: 2224

Slip On Soft Close 2 Hole

Inset

Product Code: 2225

## SLIP ON SOFT CLOSE 4 HOLE



### Key Features:

- Tested as per BIFMA Standards
- Easy installation with 4 holes slip-on type of mounting plate.
- Parts made of steel duly nickel plated for superior quality and longer life
- Maximum shutter size: 34" x 22" for 2 hinges
- Suitable for cabinet doors from 15 mm to 22 mm thickness
- Shutter cavity:  $\phi$  35 mm, 11.5 mm deep

Slip On Soft Close 4 Hole  
Full Overlay  
Product Code: 2226

Slip On Soft Close 4 Hole  
Half Overlay  
Product Code: 2227

Slip On Soft Close 4 Hole  
Inset  
Product Code: 2228

## CLIP ON CABINET HINGE - REGULAR



### Key Features:

- Clip on mechanism for easy installation and removal of shutters
- Provides ease in maintenance of cabinet
- Wide opening angle for easy storage in cabinet
- Nickel-plated for corrosion resistance
- Tested to BIFMA standards
- Maximum shutter size: 34" x 22" for 2 hinges
- Suitable for cabinet doors from 15 mm to 22 mm thickness
- Shutter cavity:  $\phi$  35 mm, 11.5 mm deep

Clip on Cabinet Hinge  
Regular - Full Overlay  
Product Code: 7098

Clip on Cabinet Hinge  
Regular - Half Overlay  
Product Code: 7099

Clip on Cabinet Hinge  
Regular - Inset  
Product Code: 7100

## CLIP ON SOFT HINGE 4 HOLE



### Key Features:

- Clip-on arrangement for ease of mounting
- Nickel plated for high corrosion resistance
- Soft close motion engineered to avoid banging and provide smooth closing
- Cover plate to avoid dust accommodation
- Maximum shutter size: 34" x 22" for 2 hinges
- Suitable for cabinet doors from 16 mm to 20 mm thickness
- Shutter cavity:  $\phi$  35 mm, 11.5 mm deep
- Maximum opening angle 95 Degrees

Clip on Soft hinge 4 Hole

Full Overlay

Product Code: 4788

Clip on Soft hinge 4 Hole

Half Overlay

Product Code: 4789

Clip on Soft hinge 4 Hole

Inset

Product Code: 4790

## CLIP ON SS 304 SOFT HINGE 4 HOLE



### Key Features:

- Clip-on arrangement for ease of mounting
- Nickel plated for high corrosion resistance
- Soft close motion engineered to avoid banging and provide smooth closing
- Cover plate to avoid dust accommodation
- Maximum shutter size: 34" x 22" for 2 hinges
- Suitable for cabinet doors from 15 mm to 22 mm thickness
- Shutter cavity:  $\phi$  35 mm, 11.5 mm deep
- Maximum opening angle - 100 degrees

Clip on SS 304 Soft Hinge  
4 Hole  
Full Overlay  
Product Code: 5069

Clip on SS 304 Soft Hinge  
4 Hole  
Half Overlay  
Product Code: 5070

Clip on SS 304 Soft Hinge  
4 Hole  
Inset  
Product Code: 5071

## 3D CLIP ON SOFT CLOSE 4 HOLE



### Key Features:

- Special feature of 3rd Dimensional adjustment
- Ease of installation with clip-on type mounting plate
- Tested as per BIFMA standard
- Cover cap to avoid dust accommodation
- Nickel plated for high corrosion resistance
- Maximum shutter size: 34" x 22" for 2 hinges
- Suitable for cabinet doors from 16 mm to 22 mm thickness
- Shutter cavity:  $\phi$  35 mm, 12 mm deep
- Maximum opening angle - 98 degrees

3D Cabinet Hinge Soft Close  
4 Hole  
Full Overlay  
Product Code: 2506

3D Cabinet Hinge Soft Close  
4 Hole  
Half Overlay  
Product Code: 2507

3D Cabinet Hinge Soft Close  
4 Hole  
Inset  
Product Code: 2508



## CLIP ON CABINET HINGE - SOFT CLOSE



### Key Features:

- Specially designed cylinder for smooth closing of shutters
- Provides ease in maintenance of cabinet
- Clip on mechanism for easy installation and removal of shutters
- Wide opening angle for easy storage in cabinet
- Covers provided to avoid dust
- Nickel-plated for corrosion resistance
- Tested to BIFMA standards
- Maximum shutter size: 34" x 22" for 2 hinges
- Suitable for cabinet doors from 15 mm to 22 mm thickness
- Shutter cavity:  $\phi$  35 mm, 11.5 mm deep

### Clip on Cabinet Hinge

Full Overlay

Product Code: 7216

### Clip on Cabinet Hinge

Half Overlay

Product Code: 7217

### Clip on Cabinet Hinge

Inset

Product Code: 7218

## THICK DOOR CABINET HINGE - SOFT CLOSE



### Key Features:

- Suitable for thick panels
- Clip on mechanism
- Wide opening angle for easy storage in cabinet
- Nickel-plated for corrosion resistance
- Maximum shutter size: 34" x 22" for 2 hinges
- Suitable for cabinet doors from 18 mm to 32 mm thickness
- Shutter cavity:  $\phi$  40 mm, 13.5 mm deep

Thick Door Cabinet Hinge  
Regular - Full Overlay  
Product Code: 7095

Thick Door Cabinet Hinge  
Regular - Half Overlay  
Product Code: 7096

Thick Door Cabinet Hinge  
Regular - Half Overlay  
Product Code: 7097

## BLIND CORNER CABINET HINGE



### Key Features (Regular):

- Suitable for panels with blind corner
- Wide opening angle for easy storage in cabinet
- Nickel-plated for corrosion resistance
- Maximum shutter size: 34" x 22" for 2 hinges
- Suitable for cabinet doors from 15 mm to 22 mm thickness
- Shutter cavity:  $\phi$  35 mm, 11.5 mm deep

### Blind Corner Cabinet Hinge - Regular

Product Code: 7092

### Key Features (Soft):

- Suitable for panels with blind corner
- Specially designed cylinder for smooth closing of shutters
- Wide opening angle for easy storage in cabinet
- Nickel-plated for corrosion resistance
- Maximum shutter size: 34" x 22" for 2 hinges
- Suitable for cabinet doors from 15 mm to 22 mm thickness
- Shutter cavity:  $\phi$  35 mm, 11.5 mm deep

### Blind Corner Cabinet Hinge - Soft

Product Code: 7091

## PI CORNER CABINET HINGE



### Key Features (Regular):

- Suitable for Pie Corners in kitchen or other application
- Precision simultaneous operation for ease of access
- Nickel-plated for corrosion resistance
- Maximum shutter size: 34" x 22" for 2 hinges
- Suitable for cabinet doors from 15 mm to 22 mm thickness
- Shutter cavity:  $\phi$  35 mm, 11.5 mm deep

Cabinet Hinge - BI Fold  
(PI Corner) 2 Regular  
Product Code: 6840


Cabinet Hinge 165 degree  
(PI Corner) 1 Regular  
Product Code: 6841

Installation videos available on YouTube



SMART CONVENIENCE FOR THE INDIAN KITCHEN.

**Godrej & Boyce Mfg. Co. Ltd.**  
Godrej Locks & Architectural Fittings and Systems Division  
Plant 18A, Pirojashnagar, Vikhroli, Mumbai - 400 0079. India.  
Tel : +91-22-6116 3100  
Email : locksmkt@godrej.com  
Website : www.godrejlocksfittings.com  
f GodrejLocks | @ Godrejlocks | v GodrejLocksS

 Toll Free No. 1800 209 4543

Disclaimer: The Visuals/ Specifications of the products shown and other information in this catalogue are subject to change and Godrej reserves the right to make such amendments without notice.