



**LOCKS & ARCHITECTURAL  
FITTINGS AND SYSTEMS**

FOR A SAFER, SMARTER LIVING EXPERIENCE.

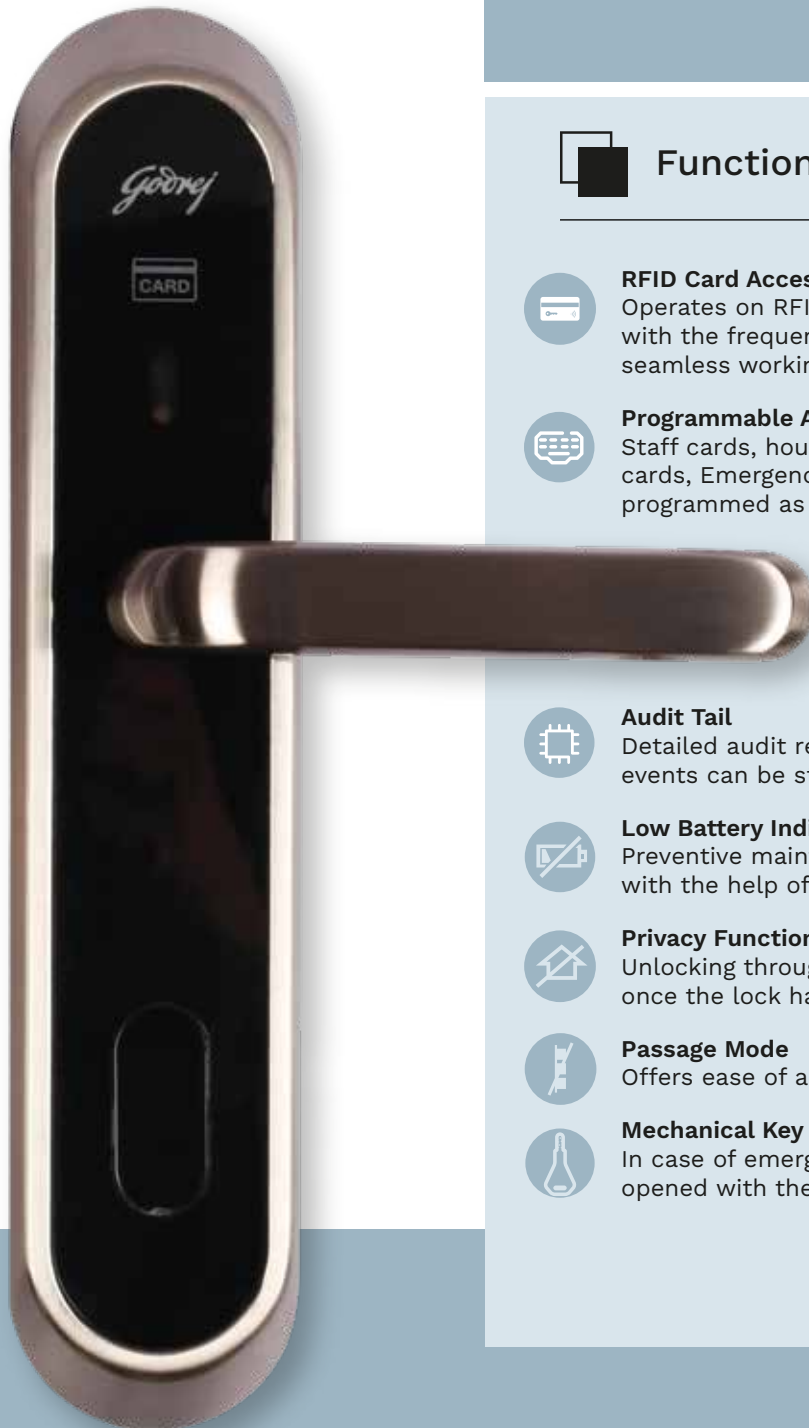
**ENHANCE THE HOSPITALITY  
YOU PROVIDE.  
BY ENHANCING  
YOUR SAFETY SOLUTIONS.**












THINK SAFETY, THINK GODREJ.

# CATUS

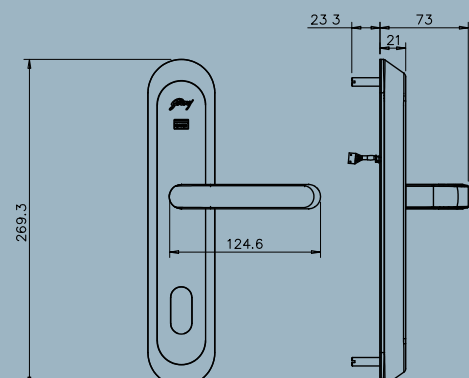


## Functions & Features

- 
**RFID Card Access**  
Operates on RFID (MIFARE Technology) with the frequency of 13.56MHz giving seamless working.
- 
**Programmable Access Cards**  
Staff cards, housekeeping cards, Guest cards, Emergency cards, etc. can be programmed as per requirement.
- 
**Audit Tail**  
Detailed audit records of up to 2,000 events can be stored in the lock's memory.
- 
**Low Battery Indication**  
Preventive maintenance can be carried out with the help of low battery Indication.
- 
**Privacy Function**  
Unlocking through the card is restricted once the lock has a privacy bolt function.
- 
**Passage Mode**  
Offers ease of access for high utility doors.
- 
**Mechanical Key Override**  
In case of emergency, the lock can be opened with the mechanical key.

### SPECIFICATIONS

- Suitable for Door Thickness:** 35mm-55mm
- Surface Finish:** Satin Nickel
- Batteries:** 4 numbers of AA Alkaline batteries of 1.5 V
- Backset:** 62mm
- Performance Test:** Product tested for EMI/EMC and various environmental conditions.
- Made In India**



# MAGNA

## Functions & Features



### RFID Card Access

Operates on RFID (MIFARE Technology) with the frequency of 13.56MHz giving seamless working.



### Programmable Access Cards

Staff cards, housekeeping cards, guest cards, emergency cards, etc. can be programmed as per requirement.



### Audit Trail

Detailed audit records of up to 414 events can be stored in the lock's memory.



### Low Battery Indication

Preventive maintenance can be carried out with the help of low battery Indication.



### Privacy Function

Unlocking through the card is restricted once the lock has a privacy bolt function.



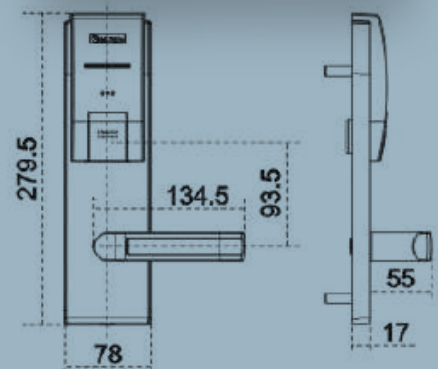
### Passage Mode

Offers ease of access for high utility doors.



### Mechanical Key Override

In case of emergency, the lock can be opened with the mechanical key.



(in mm)

## SPECIFICATIONS

**Suitable for Door Thickness:** 32mm-60mm

**Surface Finish:** Brushed Stainless Steel

**Batteries:** 4 numbers of AA Alkaline batteries of 1.5 V

**Backset:** 65mm

**Certification:** CE (EN14846), ANSI (Grade 2),  
Fire test (55 minutes)

# ORION



## Functions & Features



### RFID Card Access

Operates on RFID (MIFARE Technology) with the frequency of 13.56MHz giving seamless working.



### Programmable Access Cards

Staff cards, housekeeping cards, guest cards, emergency cards, etc. can be programmed as per requirement.



### Audit Trail

Detailed audit records of up to 414 events can be stored in the lock's memory.



### Low Battery Indication

Preventive maintenance can be carried out with the help of low battery Indication.



### Privacy Function

Unlocking through the card is restricted once the lock has a privacy bolt function.



### Passage Mode

Offers ease of access for high utility doors.



### Mechanical Key Override

In case of emergency, the lock can be opened with the mechanical key.

## SPECIFICATIONS

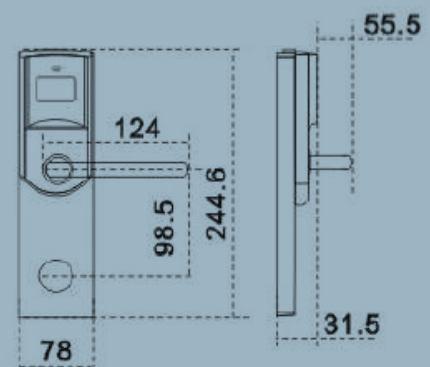
**Suitable for Door Thickness:** 32mm-60mm

**Surface Finish:** Brushed Stainless Steel

**Batteries:** 4 numbers of AA Alkaline batteries of 1.5 V

**Backset:** 65mm

**Certification:** CE (EN14846)



# OMEGA

## Functions & Features



### RFID Card Access

Operates on RFID (MIFARE Technology) with the frequency of 13.56MHz giving seamless working.



### Programmable Access Cards

Staff cards, housekeeping cards, guest cards, emergency cards, etc. can be programmed as per requirement.



### Audit Trail

Detailed audit records of up to 414 events can be stored in the lock's memory.



### Low Battery Indication

Preventive maintenance can be carried out with the help of low battery Indication.



### Privacy Function

Unlocking through the card is restricted once the lock has a privacy bolt function.



### Passage Mode

Offers ease of access for high utility doors.



### Mechanical Key Override

In case of emergency, the lock can be opened with the mechanical key.



## SPECIFICATIONS

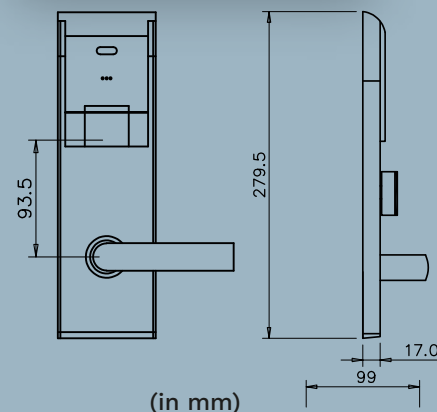
**Suitable for Door Thickness:** 32mm-60mm

**Surface Finish:** Brushed Stainless Steel

**Batteries:** 4 numbers of AA Alkaline batteries of 1.5 V

**Backset:** 65mm

**Certification:** CE (EN14846)



(in mm)

# LIFT CONTROLLER UNIT



## **Programmed Access:**

The guests and staff can access the floors as per the programmed card only.

## **Audit Logs:**

The access history is stored in the lift control module memory.

## **Specifications:**

RFID card access: MIFARE

Input Power: 12 Volt / 5 AMP adaptor.

Components: RFID Reader

Access: Lift can be accessed with the Guest card / Staff Card / Emergency Card.

\*This image is shown for illustrative purposes only

# ENERGY SAVING DEVICE

Switches off all electrical devices automatically in few seconds after the RFID card is removed from the Energy Saving Device.

**Technical Specifications:**

RFID Card: MIFARE (13.5.6 MHZ)

Voltage: 220 VAC / 50HZ

Maximum Load Current: 32A

Operating Temperature: -10° Celsius - 60° Celsius



\*This image is shown for illustrative purposes only



# CATUS, MAGNA, ORION, OMEGA SYSTEM OVERVIEW

Introducing next generation RFID locking solutions for the Hospitality Industry.



## Key System Features

- Technology: RFID (13.5 Mhz)
- Accessories: Hand held device, Encoder, Software
- Guest/Staff/Emergency/Master cards
- Passage / Privacy mode
- Low battery indication
- PMS/BMS integration
- Audit logs
- Access management through software & encoder
- Configuration of locks & reading of logs by hand held device

\* Lift integration can also be provided with the above accessories.

\*The images are shown for illustrative purposes only.

1Year  
WARRANTY

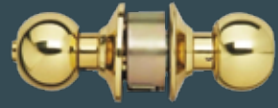
# GODREJ SOLUTIONS FOR HOSPITALITY



Door Automatic



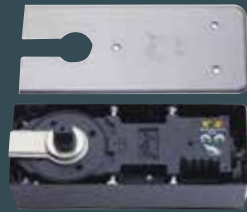
Mortise Handles



Cylindrical Locks



Door Closers



Floor Springs



Pull Handles



Door Hinges



Designer Towerbolts



Digital Cabinet Lock



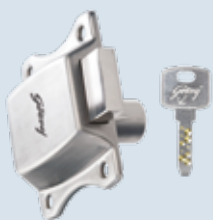
Shower Fittings



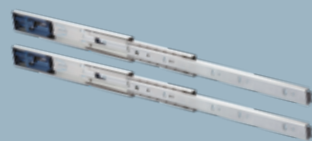
Panic Bars



Padlocks



Wardrobe Locks



Drawer Channels



Cabinet Hinges

Shower Cubicle Fittings • Locks • Door Accessories • Furniture Fittings • Glass Fittings



**Zonal head (North) :** 88262 93364, 98189 88156

**Zonal Head (East) :** 98740 50700

**Zonal Head (West) :** 99200 75049

**Zonal Head (South):** 80950 80888, 83097 80860

**Head Office :** 82918 41897



FOR A SAFER, SMARTER LIVING EXPERIENCE.

## Godrej & Boyce Mfg. Co. Ltd.

Godrej Locks & Architectural Fittings and Systems Division, Plant 18 A, Pirojshanagar, Vikhroli (E), Mumbai - 400 079. India

Tel: +91-22-6796-4890 | Toll Free No.: 1800 209 5511 |  +91 9321665511

Website: [www.godrej.com](http://www.godrej.com) | Email: [gvcc@godrej.com](mailto:gvcc@godrej.com) |  GodrejLocks |  godrejlocks |  GodrejLocksS