



**ARCHITECTURAL FITTINGS
AND SYSTEMS**

SMART ENGINEERING FOR MODERN LIVING.



GLASS FITTINGS AND SYSTEMS

GLASS HARDWARE THAT STANDS FOR
QUALITY AS WELL AS DURABILITY.





SMART ENGINEERING FOR MODERN LIVING.

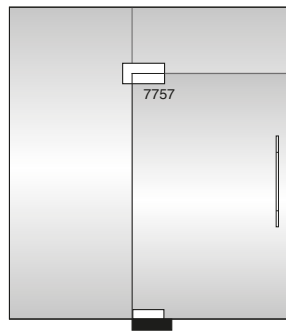


INDEX

Patch Fittings	03
Shower Fittings	13
Sliding System	29
Floor Springs	33
Balustrades	40
Automatic Doors	45



- ● Patch Fittings



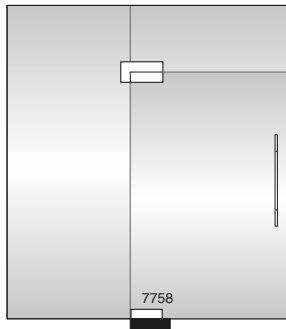
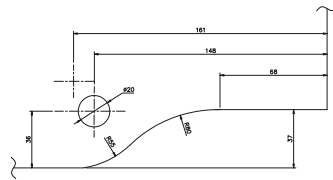
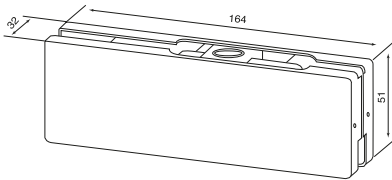
TOP PATCH

Product Code 7757

UNSPSC Code 40141799SD00056

Features

- SS 304 cover for high corrosion resistance
- Spring loaded push pins for easy installation and for firm fitting
- Adjustable pivot point of 60 or 65 mm (6 or 6.5 cm)
- Needle bearing in the pivot point for consistent, long lasting and smooth motion
- Pivot hole diameter of 15 mm (1.5 cm)
- Gaskets provided to accommodate glass from 8-12 mm (0.8 - 1.2 cm) thickness and avoid glass damage



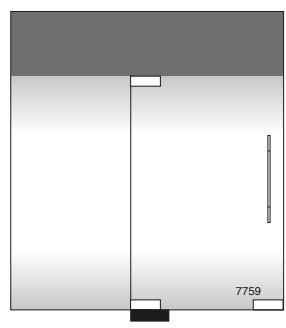
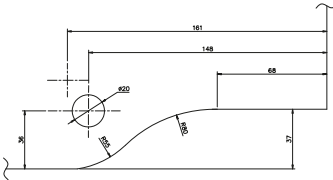
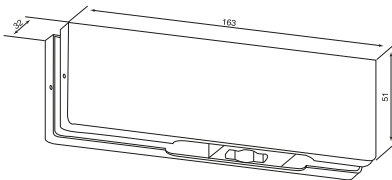
BOTTOM PATCH

Product Code 7758

UNSPSC Code 40141799SD00055

Features

- SS 304 cover for high corrosion resistance
- Spring loaded push pins for easy installation and for firm fitting
- Nickel plated pivot hole for long life
- Universal pivot hole dimensions for easy fitment with floor springs
- Gaskets provided to accommodate glass from 8-12 mm (0.8 - 1.2 cm) thickness and avoid glass damage



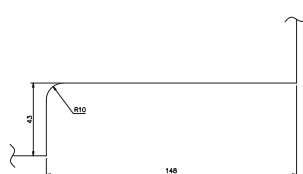
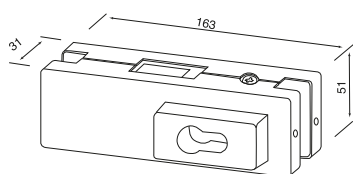
BOTTOM LOCK PATCH

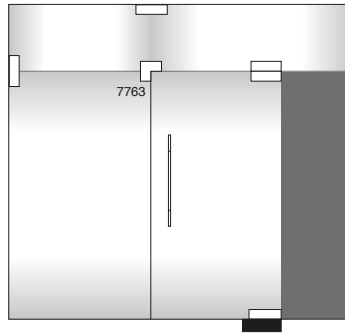
Product Code 7759

UNSPSC Code 40141799SD00054

Features

- SS 304 cover for high corrosion resistance
- Spring loaded push pins for easy installation and for firm fitting
- Gaskets provided to accommodate glass from 8-12 mm (0.8 - 1.2 cm) thickness and avoid glass damage
- Compatible with Godrej Level 3, 4 high security cylinders
- Bolt throw of 15 mm (1.5 cm)
- Master key facility (optional)



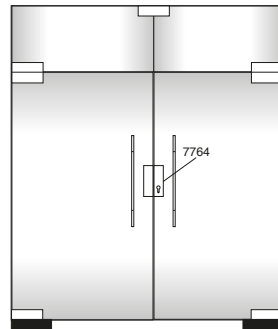
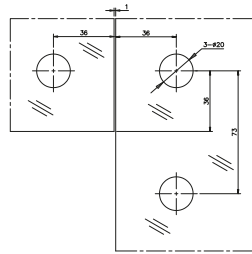
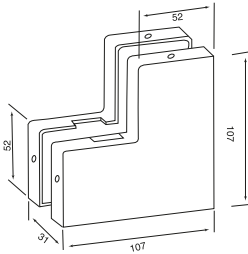


L-CONNECT PATCH

Product Code	7763
UNSPSC Code	40141799SD00064

Features

- SS 304 cover for high corrosion resistance
- Spring loaded push pins for easy installation and for firm fitting
- Gaskets provided to accommodate glass from 8-12 mm (0.8 - 1.2 cm) thickness and avoid glass damage

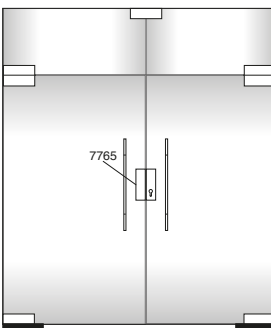
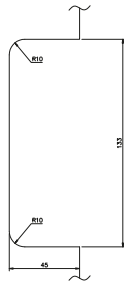
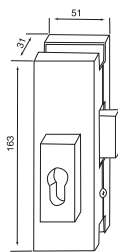


SIDE LOCK PATCH

Product Code	7764
UNSPSC Code	40141799SD00096

Features

- SS 304 cover for high corrosion resistance
- Spring loaded push pins for easy installation and for firm fitting
- Gaskets provided to accommodate glass from 8-12 mm (0.8 - 1.2 cm) thickness and avoid glass damage
- Compatible with Godrej Level 3, 4 high security cylinders
- Bolt throw of 15 mm (1.5 cm)

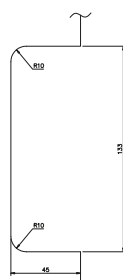
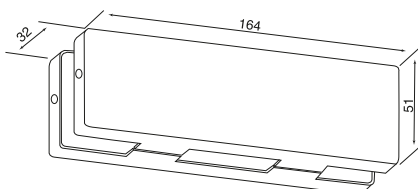


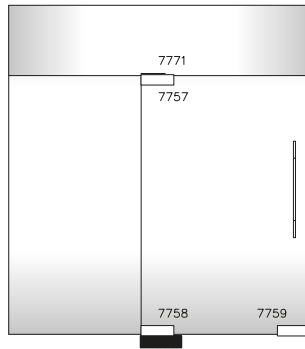
SIDE LOCK ADAPTOR

Product Code	7765
UNSPSC Code	40141799SD00097

Features

- SS 304 cover for high corrosion resistance
- Spring loaded push pins for easy installation and for firm fitting
- Gaskets provided to accommodate glass from 8-12 mm (0.8 - 1.2 cm) thickness and avoid glass damage





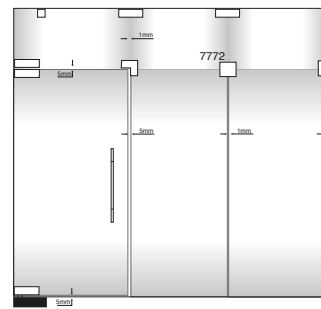
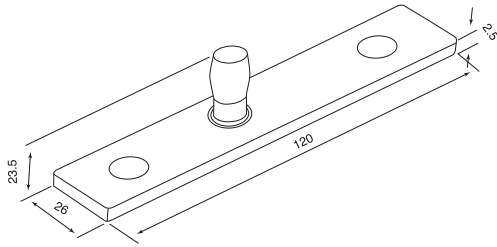
PIVOT PLATE

Product Code 7771

UNSPSC Code 40141799SD00058

Features

- SS 304 Pivot Plate for durability and high corrosion resistance
- Universal design
- Most suitable with Godrej Top Patch (PC: 7757)



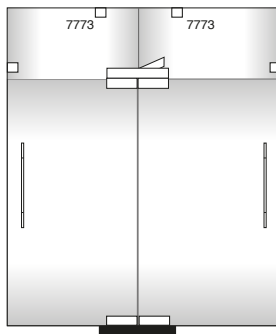
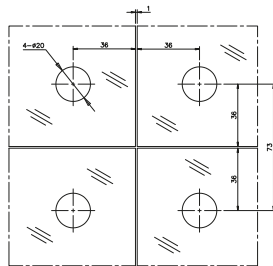
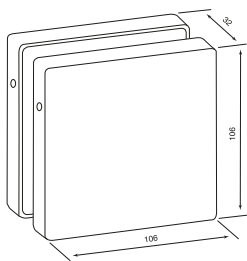
SQUARE CONNECT PATCH

Product Code 7772

UNSPSC Code 40141799SD00102

Features

- To connect four numbers of fixed glass together
- Spring loaded pins for easy installation and for firm fitting
- SS 304 cover for high corrosion resistance
- Gaskets provided to accommodate glass from 8-12 mm (0.8 - 1.2 cm) thickness and avoid glass damage



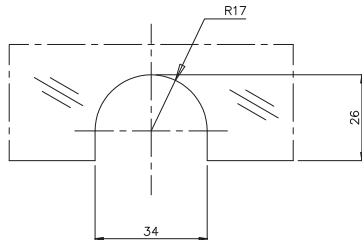
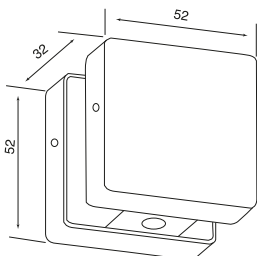
CONNECTOR PATCH GCP 640

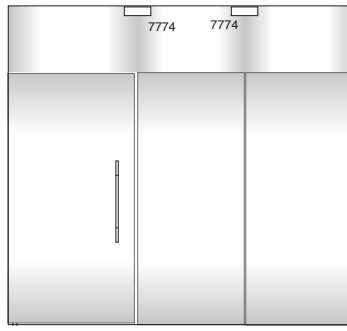
Product Code 7773

UNSPSC Code 40141799SD00065

Features

- Fix glass with wall, ceiling or floor
- Spring loaded pins for easy installation and for firm fitting
- SS 304 cover for high corrosion resistance
- Gaskets provided to accommodate glass from 8-12 mm (0.8 - 1.2 cm) thickness and avoid glass damage





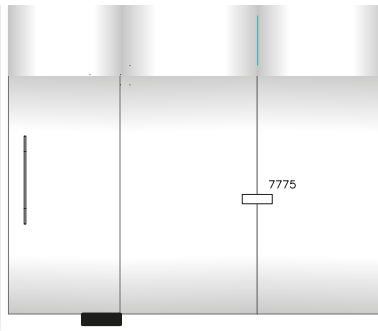
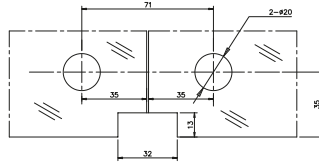
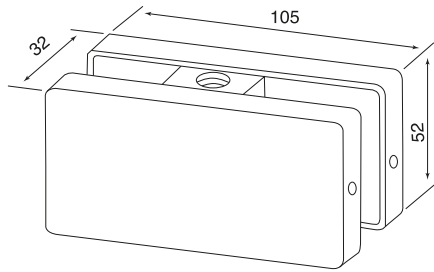
SIDE CONNECTOR PATCH

Product Code 7774

UNSPSC Code 40141799SD00066

Features

- Fix two numbers of glass together with wall, ceiling or floor
- Spring loaded pins for easy installation and for firm fitting
- SS 304 cover for high corrosion resistance
- Gaskets provided to accommodate glass from 8-12 mm (0.8 - 1.2 cm) thickness and avoid glass damage



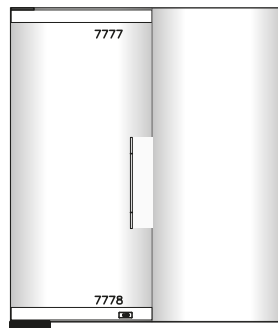
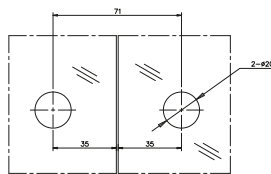
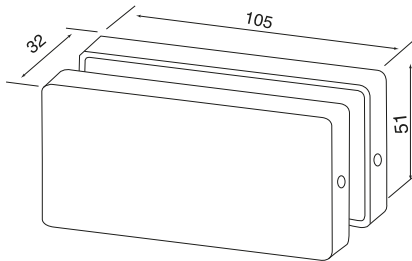
RECTANGULAR CONNECT PATCH

Product Code 7775

UNSPSC Code 40141799SD00101

Features

- To connect two numbers of fixed glass together
- Spring loaded pins for easy installation and for firm fitting
- SS 304 cover for high corrosion resistance
- Gaskets provided to accommodate glass from 8-12 mm (0.8 - 1.2 cm) thickness and avoid glass damage



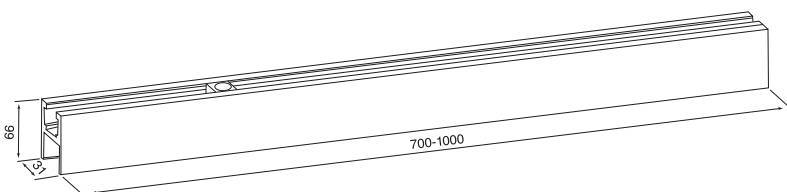
TOP RAIL

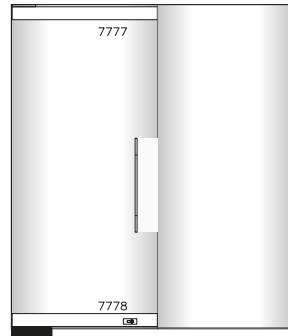
Product Code 7777

UNSPSC Code 40141799SD00076

Features

- Installed on top of the door
- Provided with clip on covers
- Firm grip for strength and rigidity to the door structure
- SS 304 cover for high corrosion resistance
- Length: 1 metre





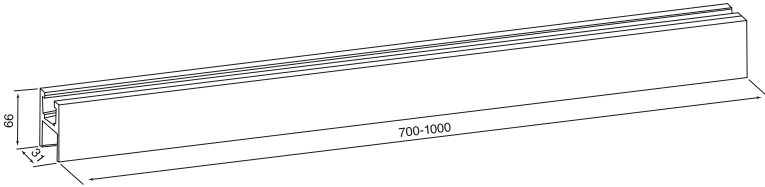
BOTTOM RAIL

Product Code 7778

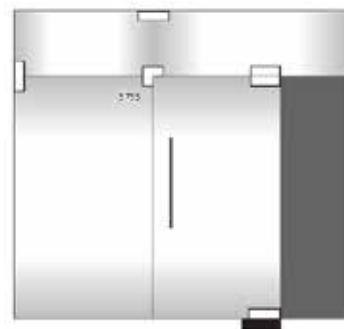
UNSPSC Code 40141799SD00077

Features

- Installed at the bottom of the door
- Provided with clip on covers
- Firm grip for strength and rigidity to the door structure
- SS 304 cover for high corrosion resistance
- Length: 1 metre
- Compatible with Godrej Security Strengths 1, 3 and 4 high security cylinders
- Master key facility (optional)
- Bolt throw: 17 mm (1.7 cm)



KURVE SERIES



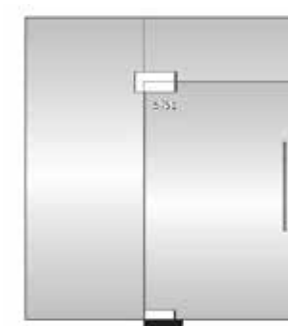
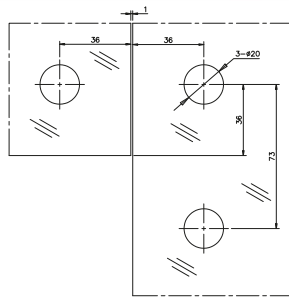
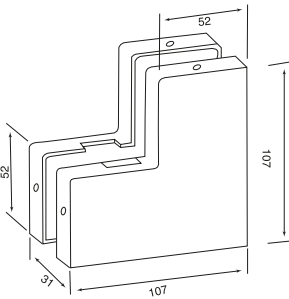
KURVE L CONNECT PATCH WITH STOPPER

Product Code 5755

UNSPSC Code 40141799SD00120

Features

- Elegant and appealing curvilinear design
- SS 304 cover for high corrosion resistance
- Spring loaded push pins for easy installation and for firm fitting
- Gaskets provided to accommodate glass from 8-12 mm (0.8 - 1.2 cm) thickness and avoid glass damage
- Can be used for one-way operation of door



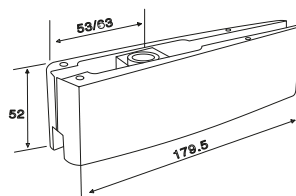
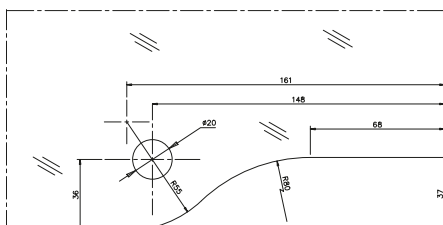
KURVE TOP PATCH

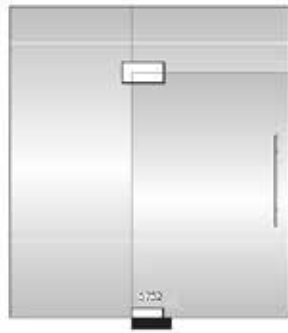
Product Code 5751

UNSPSC Code 40141799SD00132

Features

- Elegant and appealing curvilinear design
- SS 304 cover for high corrosion resistance
- Spring loaded push pin for easy installation and for firm fitting
- Adjustable pivot point of 55 or 60 mm (5.5 - 6 cm)
- Gasket provided to accommodate glass from 8-12 mm (0.8 - 1.2 cm) thickness and avoid glass damage





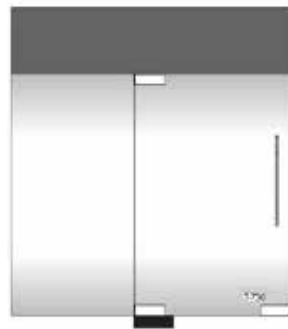
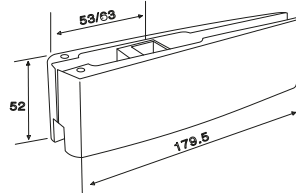
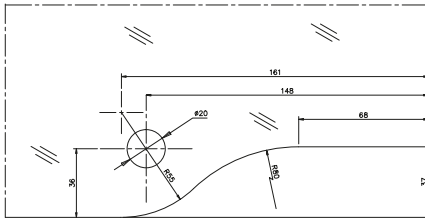
KURVE BOTTOM PATCH

Product Code 5752

UNSPSC Code 40141799SD00127

Features

- Elegant and appealing curvilinear design
- SS 304 cover for high corrosion resistance
- Universal pivot hole dimension for easy fitment with floor springs
- Gasket provided to accommodate glass from 8-12 mm (0.8 - 1.2 cm) thickness and avoid glass damage



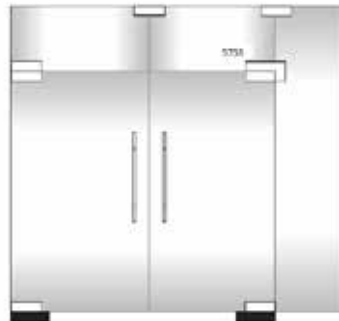
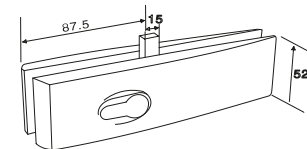
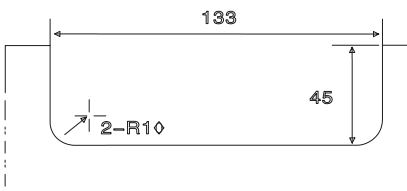
KURVE BOTTOM PATCH LOCK

Product Code 5756

UNSPSC Code 40141799SD00133

Features

- Elegant and appealing curvilinear design
- SS 304 cover for high corrosion resistance
- Spring loaded push pin for easy installation and for firm fitting
- Gaskets provided to accommodate glass from 8-12 mm (0.8 - 1.2 cm) thickness and avoid glass damage
- Bolt throw of 15 mm (1.5 cm)



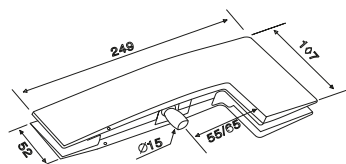
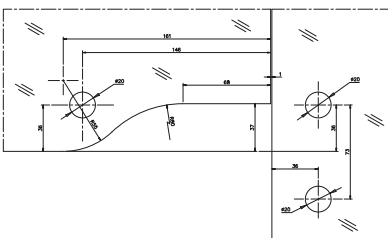
KURVE L-ARM PATCH WITH PIVOT

Product Code 5753

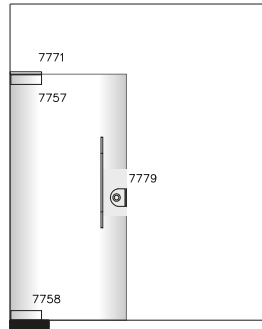
UNSPSC Code 40141799SD00126

Features

- Elegant and appealing curvilinear design
- SS 304 cover for high corrosion resistance
- Spring loaded push pin for easy installation and for firm fitting
- Pivot zinc plated for long life
- Adjustable pivot
- Pivot diameter of 15 mm (1.5 cm)
- Gasket provided to accommodate glass from 8-12 mm (0.8 - 1.2 cm) thickness and avoid glass damage



GLASS DOOR LOCKS

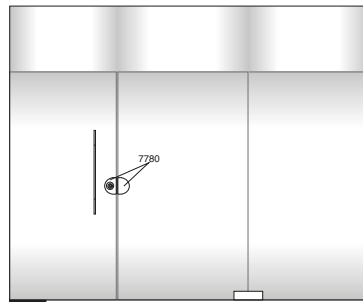
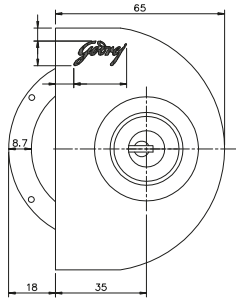
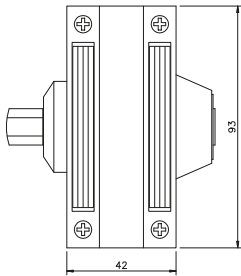


GLASS TO WALL LOCK - ROUND

Product Code	7779
UNSPSC Code	40141799SD00067

Features

- Glass to Wall Lock round type suitable for 10 mm (1 cm) and 12 mm (1.2 cm) glass
- Requires no cutout in the glass
- Operated with Dimple technology key from one side and knob on the other side
- SS 304 for high corrosion resistance

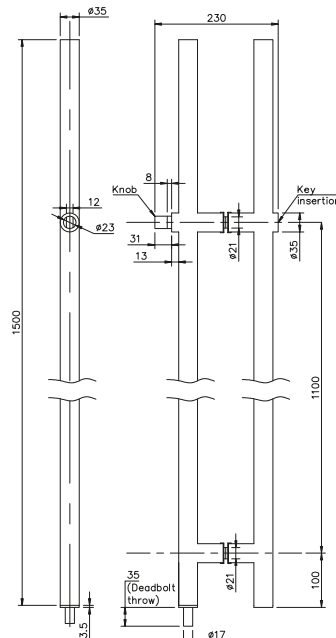
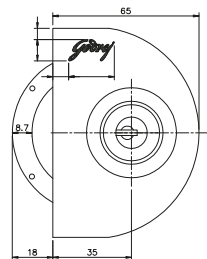
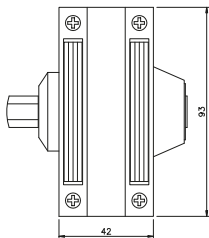


GLASS TO GLASS LOCK - ROUND TYPE

Product Code	7780
UNSPSC Code	40141799SD00068

Features

- Glass to Glass Lock round type suitable for double doors of 10 mm (1 cm) and 12 mm (1.2 cm) thickness
- Requires no cutout in the glass
- Operated with Dimple technology key from one side and knob on the other side
- SS 304 for high corrosion resistance



PULL HANDLE WITH LOCK

Product Code	7781
UNSPSC Code	31162801SD00050

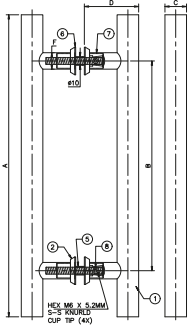
Features

- Made of SS 304 material for high corrosion resistance
- 1CK model for ease of operation
- Deadbolt length: 35 mm (3.5 cm) for extra security
- 5 keys available with handle pair
- Dust proof spring loaded receptacle



H-Type Handles

SIZE (mm)	PRODUCT CODE	UNSPSC CODE	A	B	C	D	E	F
300 X 25	2807	31162801SD00517	300	212	25	58	24	19
325 X 25	2808	31162801SD00518	325	240	25	58	24	19
400 X 25	2809	31162801SD00519	400	332	25	58	24	19
600 X 25	2810	31162801SD00520	600	455	25	58	24	19
457 X 32	2811	31162801SD00521	457	305	32	70	31	25
600 X 32	2812	31162801SD00522	600	480	32	70	31	25
840 X 32	2813	31162801SD00523	840	480	32	70	31	25
900 X 32	2814	31162801SD00524	900	700	32	70	31	25



Features

- Made of SS 304 material for high corrosion resistance
- Sleek design for firm grip
- Gasket to prevent glass damage
- Concealed grub screws
- Available in different sizes

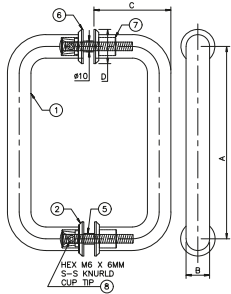
H-TYPE PULL HANDLE

Product Code	2807	Product Code	2812
UNSPSC Code	31162801SD00517	UNSPSC Code	31162801SD00522
Product Code	2808	Product Code	2813
UNSPSC Code	31162801SD00518	UNSPSC Code	31162801SD00523
Product Code	2809	Product Code	2814
UNSPSC Code	31162801SD00519	UNSPSC Code	1162801SD00524
Product Code	2810	Product Code	7535
UNSPSC Code	31162801SD00520	UNSPSC Code	31162801SD00065
Product Code	2811		
UNSPSC Code	31162801SD00521		



D-Type Handles

SIZE (mm)	PRODUCT CODE	UNSPSC CODE	A	B	C	D
200 X 25	2801	31162801SD00511	200	22	80	31
300 X 25	2802	31162801SD00512	300	25	80	31
350 X 25	2803	31162801SD00513	350	25	80	31
400 X 25	2804	31162801SD00514	400	25	80	31
450 X 25	2805	31162801SD00515	450	25	80	31
600 X 32	2806	31162801SD00516	600	32	80	39



Features

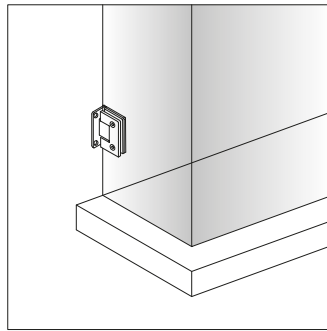
- Made of SS 304 material for high corrosion resistance
- Sleek design for firm grip
- Gasket to prevent glass damage
- Concealed grub screws
- Available in different sizes

D-TYPE PULL HANDLE

Product Code	2801
UNSPSC code	31162801SD00511
Product Code	2802
UNSPSC code	31162801SD00512
Product Code	2803
UNSPSC code	31162801SD00513
Product Code	2804
UNSPSC code	31162801SD00514
Product Code	2805
UNSPSC code	31162801SD00515
Product Code	2806
UNSPSC code	31162801SD00516



- ● Shower Fittings



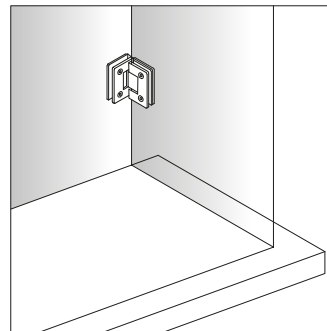
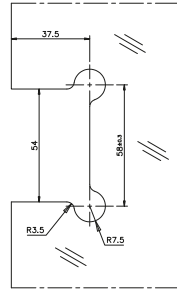
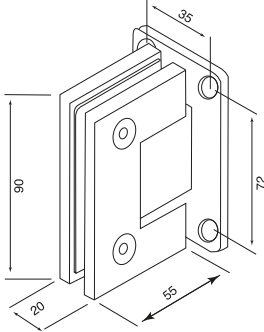
WALL TO GLASS HINGE

Product Code 7601

UNSPSC Code 40141799SD00108

Features

- Developed for firm holding of glass door to the wall
- Made of SS 304 which makes the fittings highly corrosion resistant
- Surface polishing with chrome prevents water seeping into the fitting
- Gaskets provided to accommodate glass from 8-12 mm (0.8 - 1.2 cm)
- Suitable for door weight up to 50 kg
- The door will shut automatically when closed till 25°
- Can be used for two-way operation of door



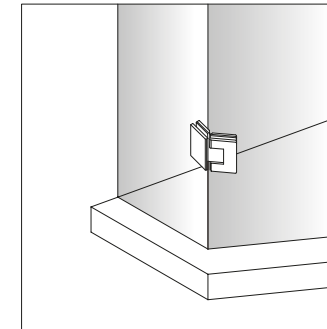
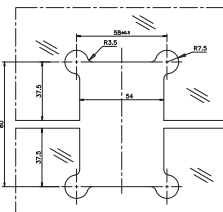
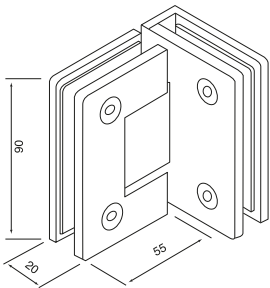
GLASS TO GLASS HINGE 90°

Product Code 7602

UNSPSC Code 40141799SD00109

Features

- Developed for firm connecting of glass door with fixed glass at 90°
- Made of SS 304 which makes the fittings highly corrosion resistant
- Surface polishing with chrome prevents water seeping into the fitting
- Gaskets provided to accommodate glass from 8-12 mm (0.8 - 1.2 cm) thickness and avoid glass damage
- Suitable for door weight up to 50 kg
- The door will shut automatically when closed till 25°
- Can be used for two-way operation of door



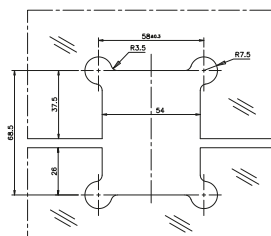
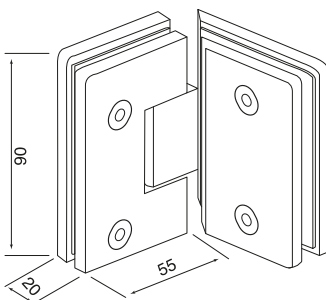
GLASS TO GLASS HINGE 135°

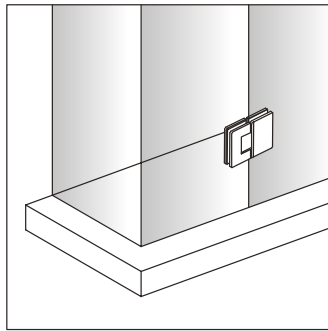
Product Code 7603

UNSPSC Code 40141799SD00110

Features

- Developed for firm connecting of glass door with fixed glass at 135°
- Made of SS 304 which makes the fittings highly corrosion resistant
- Surface polishing with chrome prevents water seeping into the fitting
- Gaskets provided to accommodate glass from 8-12 mm (0.8 - 1.2 cm) thickness and avoid glass damage
- Suitable for door weight up to 50 kg
- The door will shut automatically when closed till 25°
- Can be used for two-way operation of door





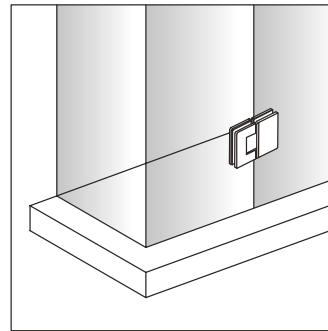
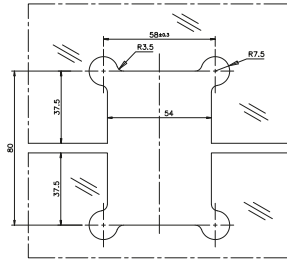
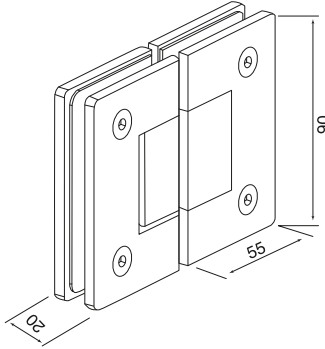
GLASS TO GLASS HINGE 180°

Product Code 7604

UNSPSC Code 40141799SD00111

Features

- Developed for firm connecting of glass door with fixed glass at 180°
- Made of SS 304 which makes the fittings highly corrosion resistant
- Surface polishing with chrome prevents water seeping into the fitting
- Gaskets provided to accommodate glass from 8-12 mm (0.8 - 1.2 cm) thickness and avoid glass damage
- Suitable for door weight up to 50 kg
- The door will shut automatically when closed till 25°
- Can be used for two-way operation of door



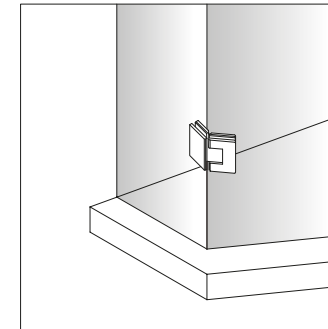
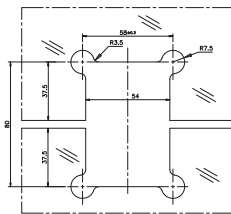
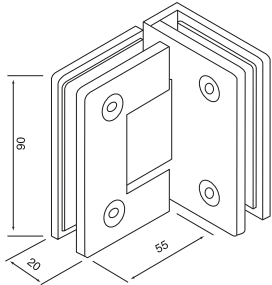
GLASS TO GLASS HINGE 180°

Product Code 7604

UNSPSC Code 40141799SD00111

Features

- Developed for firm connecting of glass door with fixed glass at 180°
- Made of SS 304 which makes the fittings highly corrosion resistant
- Surface polishing with chrome prevents water seeping into the fitting
- Gaskets provided to accommodate glass from 8-12 mm (0.8 - 1.2 cm) thickness and avoid glass damage
- Suitable for door weight up to 50 kg
- The door will shut automatically when closed till 25°
- Can be used for two-way operation of door



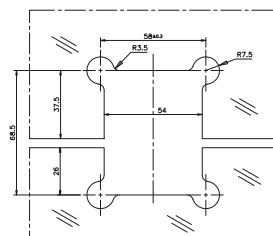
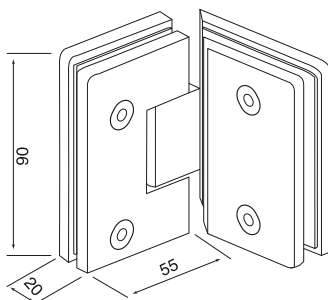
GLASS TO GLASS HINGE 135°

Product Code 7603

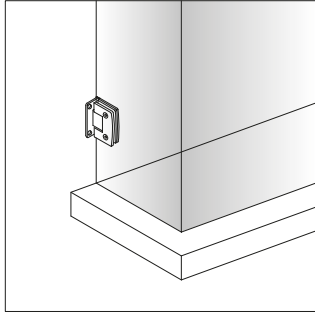
UNSPSC Code 40141799SD00110

Features

- Developed for firm connecting of glass door with fixed glass at 135°
- Made of SS 304 which makes the fittings highly corrosion resistant
- Surface polishing with chrome prevents water seeping into the fitting
- Gaskets provided to accommodate glass from 8-12 mm (0.8 - 1.2 cm) thickness and avoid glass damage
- Suitable for door weight up to 50 kg
- The door will shut automatically when closed till 25°
- Can be used for two-way operation of door



KURVE SERIES

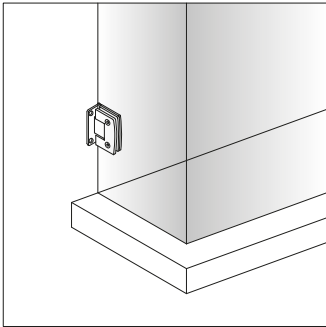
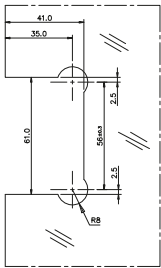
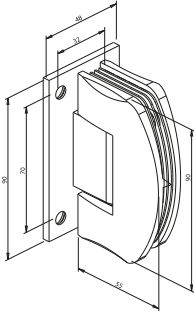


KURVE WALL TO GLASS CURVE HINGE

Product Code	5757
UNSPSC Code	40141799SD00121

Features

- Elegant and appealing curvilinear design
- Developed for firm holding of glass door to the wall
- Made of SS 304 which makes the fittings highly corrosion resistant
- Surface polishing with chrome prevents water seeping into the fitting
- Gasket provided to accommodate glass from 8-12 mm (0.8 - 1.2 cm)
- Suitable for door weight up to 45 kg and width up to 1000 mm (1 meter)
- The door will shut automatically when closed till 30°
- Can be used for two-way operation of door

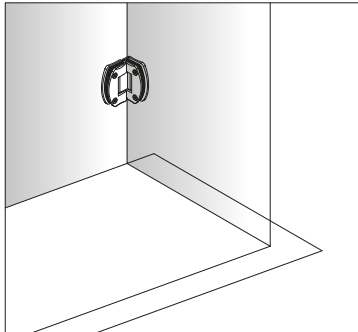
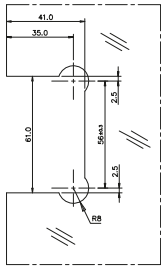
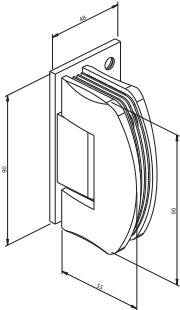


KURVE OFFSET WALL TO GLASS CURVE HINGE

Product Code	5758
UNSPSC Code	40141799SD00119

Features

- Elegant and appealing curvilinear design
- Developed for firm holding of glass door offset to the wall
- Made of SS 304 which makes the fittings highly corrosion resistant
- Surface polishing with chrome prevents water seeping into the fitting
- Gasket provided to accommodate glass from 8-12 mm (0.8 - 1.2 cm)
- Suitable for door weight up to 45 kg and width up to 1000 mm (1 meter)
- The door will shut automatically when closed till 30°
- Can be used for two-way operation of door

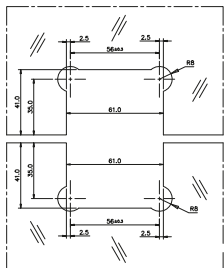
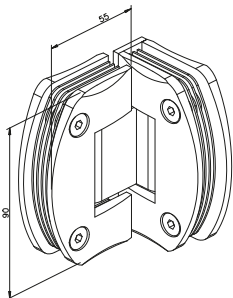


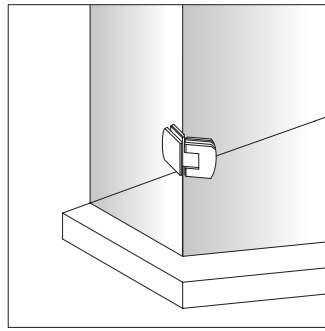
KURVE GLASS TO GLASS CURVE HINGE 90°

Product Code	5765
UNSPSC Code	40141799SD00131

Features

- Elegant and appealing curvilinear design
- Developed for firm holding of glass door with fixed glass at 90°
- Made of SS 304 which makes the fittings highly corrosion resistant
- Surface polishing with chrome prevents water seeping into the fitting
- Gasket provided to accommodate glass from 8-12 mm (0.8 - 1.2 cm)
- Suitable for door weight up to 45 kg and width up to 1000 mm (1 meter)
- The door will shut automatically when closed till 30°
- Can be used for two-way operation of door





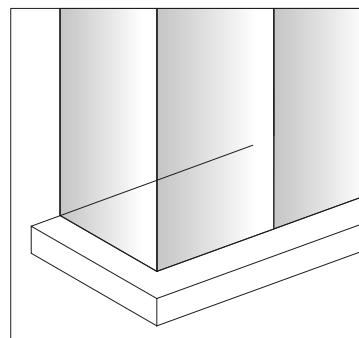
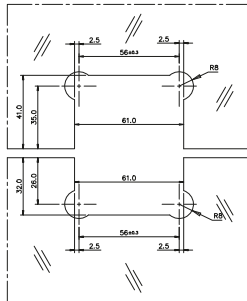
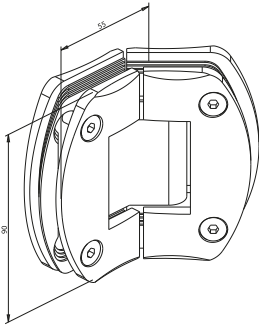
KURVE GLASS TO GLASS CURVE HINGE 135°

Product Code 5764

UNSPSC Code 40141799SD00130

Features

- Elegant and appealing curvilinear design
- Developed for firm holding of glass door to the wall
- Made of SS 304 which makes the fittings highly corrosion resistant
- Surface polishing with chrome prevents water seeping into the fitting
- Gasket provided to accommodate glass from 8-12 mm (0.8 - 1.2 cm)
- Suitable for door weight up to 45 kg and width up to 1000 mm (1 meter)
- The door will shut automatically when closed till 30°
- Can be used for two-way operation of door



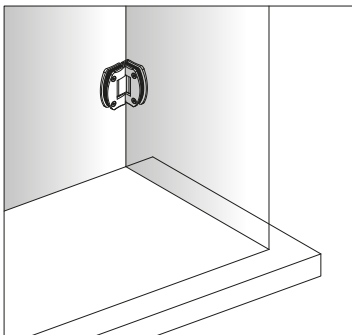
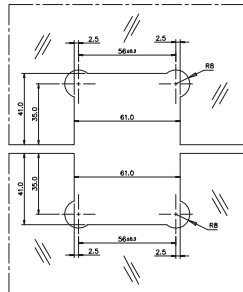
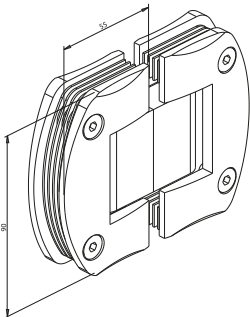
KURVE GLASS TO GLASS CURVE HINGE 180°

Product Code 5759

UNSPSC Code 40141799SD00118

Features

- Elegant and appealing curvilinear design
- Developed for firm holding of glass door with fixed glass at 180°
- Made of SS 304 which makes the fittings highly corrosion resistant
- Surface polishing with chrome prevents water seeping into the fitting
- Gasket provided to accommodate glass from 8-12 mm (0.8 - 1.2 cm)
- Suitable for door weight up to 45 kg and width up to 1000 mm (1 meter)
- The door will shut automatically when closed till 30°
- Can be used for two-way operation of door
- Can be used for two-way operation of door



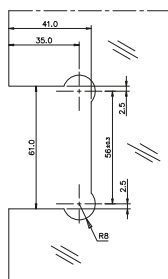
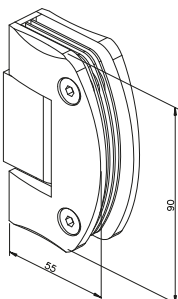
KURVE WALL TO GLASS BRACKET CURVE HINGE

Product Code 5766

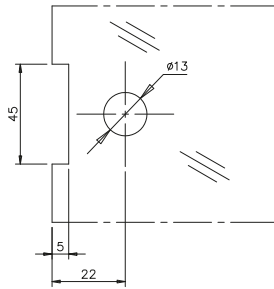
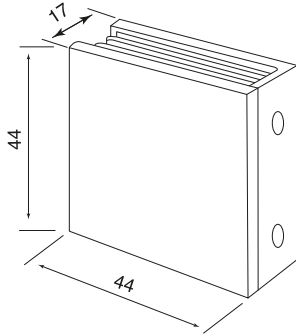
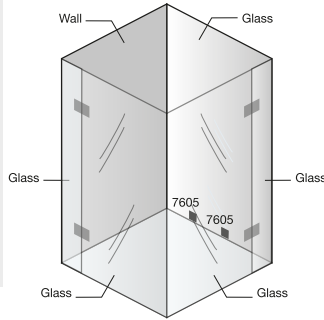
UNSPSC Code 40141799SD00130

Features

- Elegant and appealing curvilinear design
- Developed for firm holding of glass to the wall
- Made of SS 304 which makes the fittings highly corrosion resistant
- Surface polishing with chrome prevents water seeping into the fitting
- Gasket provided to accommodate glass from 8-12 mm (0.8 - 1.2 cm)
- Suitable for door weight up to 45 kg and width up to 1000 mm (1 meter)



GLASS CLIPS

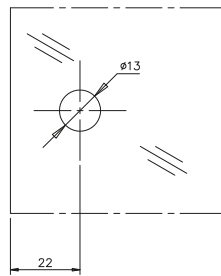
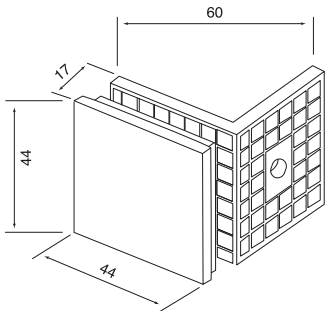
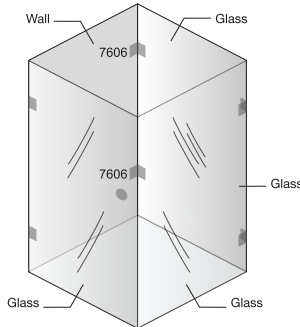


WALL TO GLASS CLIP

Product Code	7605
UNSPSC Code	40141799SD00069

Features

- Shower Clip for firm holding of glass with wall or floor
- Made of SS 304 which makes the fittings highly corrosion resistant
- Surface polishing with chrome prevents water seeping into the fitting
- Gaskets provided to accommodate glass from 8-12 mm (0.8 - 1.2 cm) thickness and avoid glass damage

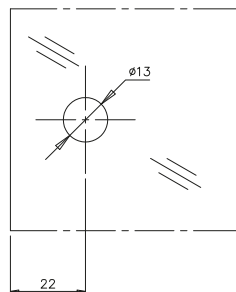
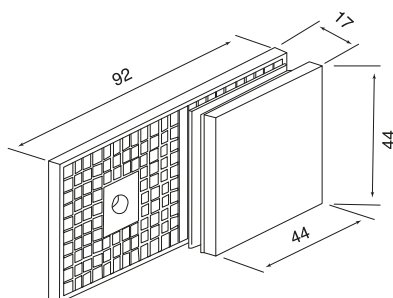
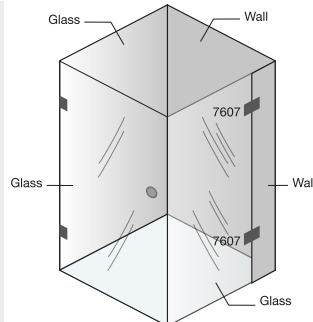


WALL TO GLASS CLIP 90°

Product Code	7606
UNSPSC Code	40141799SD00070

Features

- Shower Clip for firm holding of glass with wall
- Made of SS 304 which makes the fittings highly corrosion resistant
- Surface polishing with chrome prevents water seeping into the fitting
- Gaskets provided to accommodate glass from 8-12 mm (0.8 - 1.2 cm) thickness and avoid glass damage

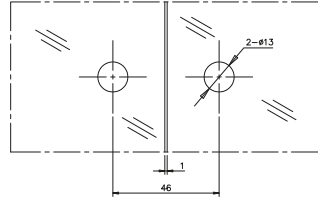
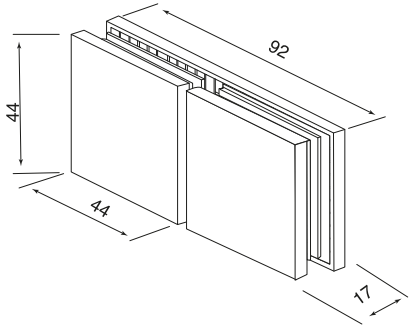
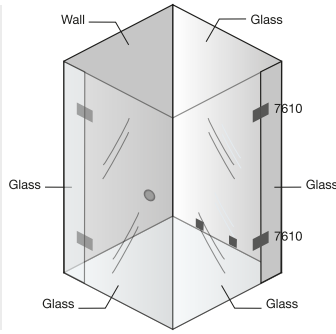


WALL TO GLASS CLIP 180°

Product Code	7607
UNSPSC Code	40141799SD00104

Features

- Shower Clip for firm holding of fixed glass in line with the wall
- Made of SS 304 which makes the fittings highly corrosion resistant
- Surface polishing with chrome prevents water seeping into the fitting
- Gaskets provided to accommodate glass from 8-12 mm (0.8 - 1.2 cm) thickness and avoid glass damage



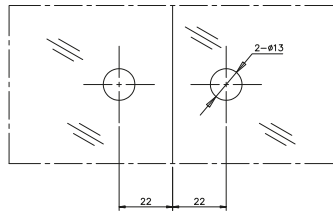
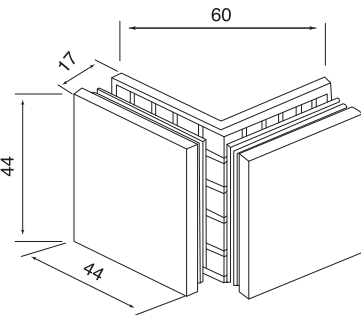
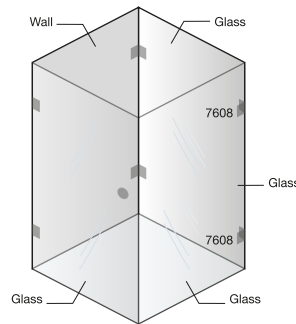
GLASS TO GLASS CLIP 180°

Product Code 7610

UNSPSC Code 40141799SD00107

Features

- Shower Clip for firm holding of fixed glass at 180°
- Made of SS 304 which makes the fittings highly corrosion resistant
- Surface polishing with chrome prevents water seeping into the fitting
- Gaskets provided to accommodate glass from 8-12 mm (0.8 - 1.2 cm) thickness and avoid glass damage



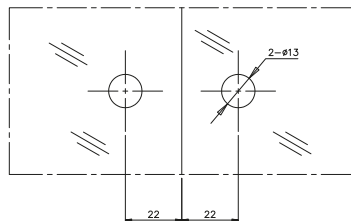
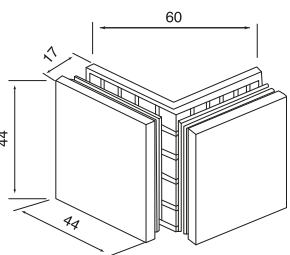
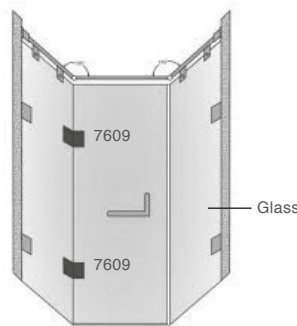
GLASS TO GLASS CLIP 90°

Product Code 7608

UNSPSC Code 40141799SD00105

Features

- Shower Clip for firm holding of fixed glass at 90°
- Made of SS 304 which makes the fittings highly corrosion resistant
- Surface polishing with chrome prevents water seeping into the fitting
- Gaskets provided to accommodate glass from 8-12 mm (0.8 - 1.2 cm) thickness and avoid glass damage



GLASS TO GLASS CLIP 135°

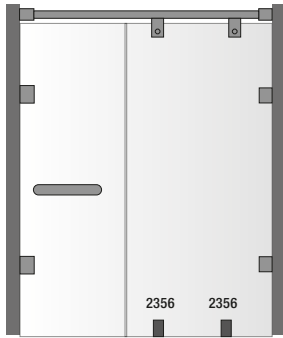
Product Code 7609

UNSPSC Code 40141799SD00106

Features

- Shower Clip for firm holding of fixed glass at 135°
- Made of SS 304 which makes the fittings highly corrosion resistant
- Surface polishing with chrome prevents water seeping into the fitting
- Gaskets provided to accommodate glass from 8-12 mm (0.8 - 1.2 cm) thickness and avoid glass damage

EGF SERIES

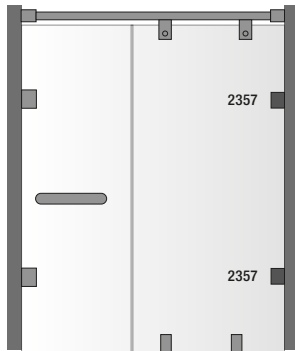


EGF WALL TO GLASS CLIP

Product Code	2356
UNSPSC Code	40141799SD00306

Features

- Made of SS 304 which makes the fittings highly corrosion resistant
- Gaskets provided to hold the glass firmly.
- Suitable for 8-12 mm (0.8 - 1.2 cm) glass

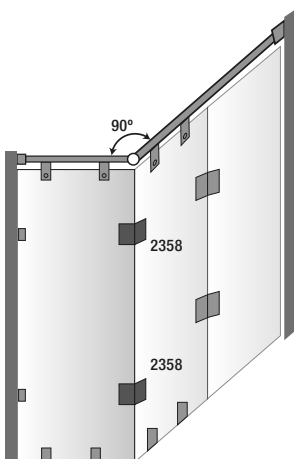
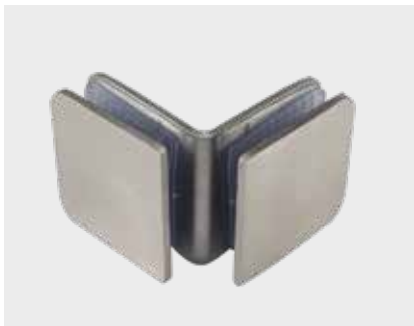


EGF WALL TO GLASS CLIP 90°

Product Code	2357
UNSPSC Code	40141799SD00307

Features

- Made of SS 304 which makes the fittings highly corrosion resistant
- Gaskets provided to hold the glass firmly.
- Suitable for 8-12 mm (0.8 - 1.2 cm) glass

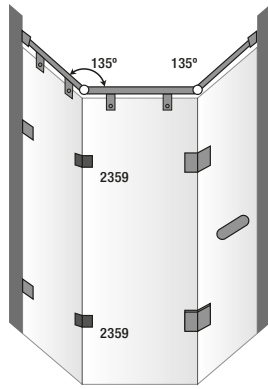


EGF GLASS TO GLASS CLIP 90°

Product Code	2358
UNSPSC Code	40141799SD00308

Features

- Made of SS 304 which makes the fittings highly corrosion resistant
- Gaskets provided to hold the glass firmly
- Suitable for 8-12 mm (0.8 - 1.2 cm) glass



EGF GLASS TO GLASS CLIP 135°

Product Code 2359

UNSPSC Code 40141799SD00309

Features

- Made of SS 304 which makes the fittings highly corrosion resistant
- Gaskets provided to hold the glass firmly
- Suitable for 8-12 mm (0.8 - 1.2 cm) glass



EGF GLASS TO GLASS CLIP 180°

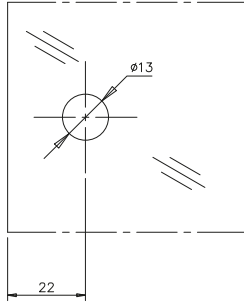
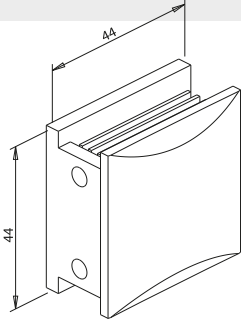
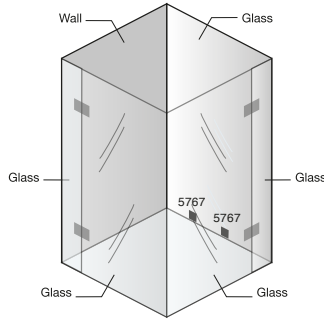
Product Code 2360

UNSPSC Code 40141799SD00310

Features

- Made of SS 304 which makes the fittings highly corrosion resistant
- Gaskets provided to hold the glass firmly
- Suitable for 8-12 mm (0.8 - 1.2 cm) glass

KURVE SERIES

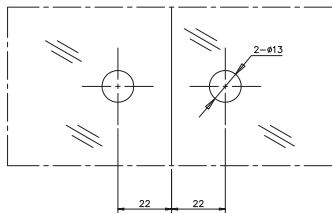
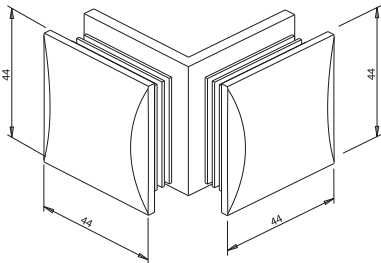
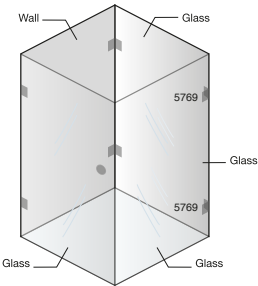


KURVE WALL TO GLASS CLIP

Product Code	5767
UNSPSC Code	40141799SD00129

Features

- Elegant and appealing curvilinear design
- Shower Clip for firm holding of glass with wall or floor
- Made of SS 304 which makes the fittings highly corrosion resistant
- Surface polishing with chrome prevents water seeping into the fitting
- Gasket provided to accommodate glass from 8-12 mm (0.8 - 1.2 cm) thickness and avoid glass damage

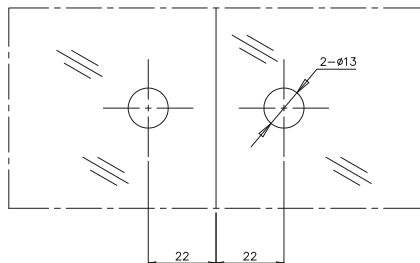
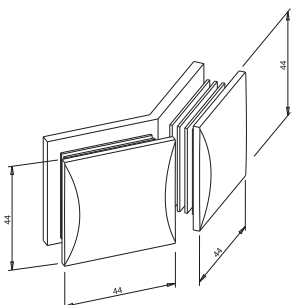
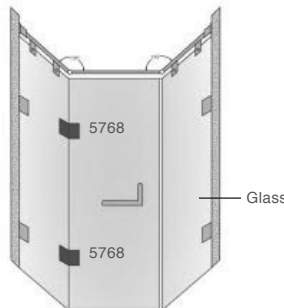


KURVE GLASS TO GLASS CLIP 90°

Product Code	5769
UNSPSC Code	40141799SD00125

Features

- Elegant and appealing curvilinear design
- Shower Clip for firm holding of fixed glass at 90°
- Made of SS 304 which makes the fittings highly corrosion resistant
- Surface polishing with chrome prevents water seeping into the fitting
- Gasket provided to accommodate glass from 8-12 mm (0.8 - 1.2 cm) thickness and avoid glass damage

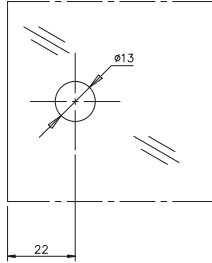
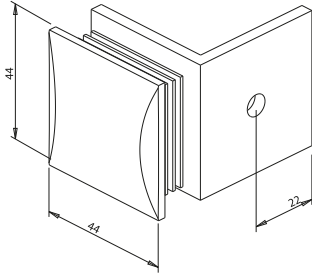
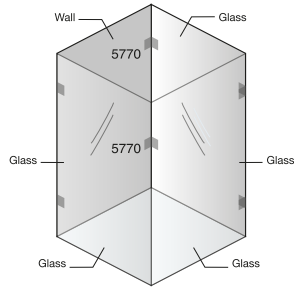


KURVE GLASS TO GLASS CLIP 135°

Product Code	5768
UNSPSC Code	40141799SD00128

Features

- Elegant and appealing curvilinear design
- Shower Clip for firm holding of fixed glass at 135°
- Made of SS 304 which makes the fittings highly corrosion resistant
- Surface polishing with chrome prevents water seeping into the fitting
- Gasket provided to accommodate glass from 8-12 mm (0.8 - 1.2 cm) thickness and avoid glass damage



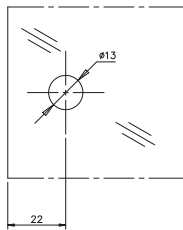
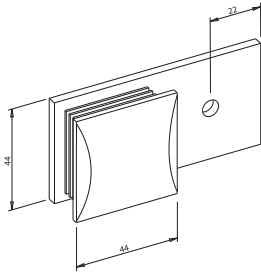
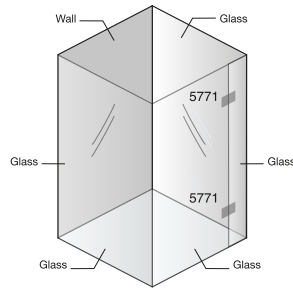
KURVE WALL TO GLASS CLIP 90°

Product Code 5770

UNSPSC Code 40141799SD00124

Features

- Elegant and appealing curvilinear design
- Shower Clip for firm holding of fixed glass in line with the wall
- Made of SS 304 which makes the fittings highly corrosion resistant
- Surface polishing with chrome prevents water seeping into the fitting
- Gasket provided to accommodate glass from 8-12 mm (0.8 - 1.2 cm) thickness and avoid glass damage



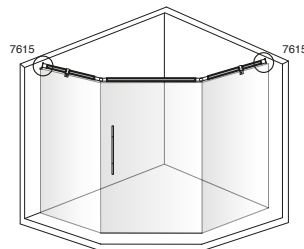
KURVE WALL TO GLASS CLIP 180°

Product Code 5771

UNSPSC Code 40141799SD00122

Features

- Elegant and appealing curvilinear design
- Shower Clip for firm holding of fixed glass at 135°
- Made of SS 304 which makes the fittings highly corrosion resistant
- Surface polishing with chrome prevents water seeping into the fitting
- Gasket provided to accommodate glass from 8-12 mm (0.8 - 1.2 cm) thickness and avoid glass damage



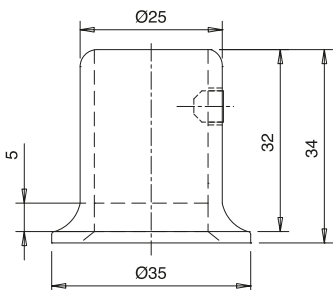
SHOWER HEADER CLIP - WALL TO BAR

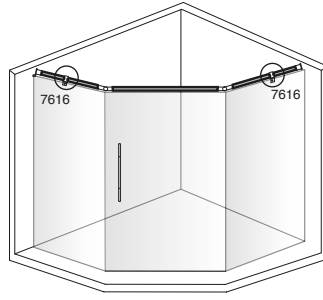
Product Code 7615

UNSPSC Code 40141799SD00071

Features

- Shower Header Clip to hold pipe with the wall
- Made of brass which makes the fittings highly corrosion resistant and durable
- Surface polishing with chrome prevents water seeping into the fitting
- High load bearing capacity
- Suitable for $\phi 19$ mm (1.9 cm) pipe





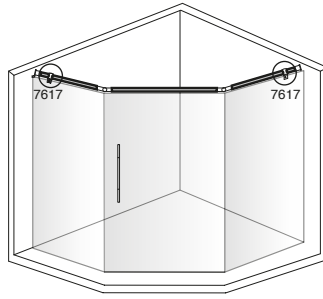
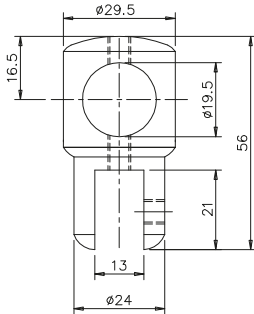
SHOWER HEADER CENTRE CLIP

Product Code 7616

UNSPSC Code 40141799SD00072

Features

- Shower Header Clip to hold reinforcing pipe with the glass
- Made of brass which makes the fittings highly corrosion resistant and durable
- Surface polishing with chrome prevents water seeping into the fitting
- High load bearing capacity
- Suitable for Ø19 mm (1.9 cm) pipe



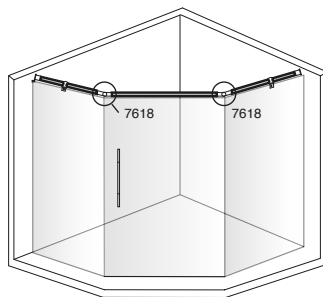
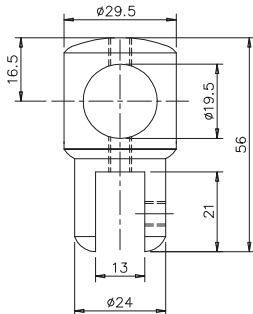
SHOWER HEADER CORNER CLIP

Product Code 7617

UNSPSC Code 40141799SD00073

Features

- Shower Header Clip to hold pipe with the glass
- Made of brass which makes the fittings highly corrosion resistant and durable
- Surface polishing with chrome prevents water seeping into the fitting
- High load bearing capacity
- Suitable for Ø19 mm (1.9 cm) pipe



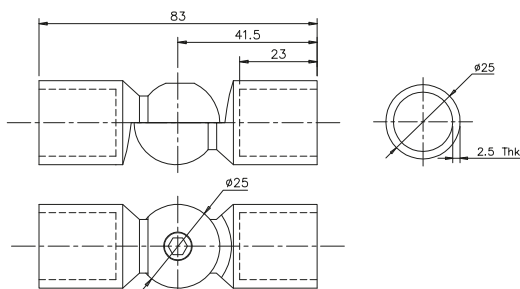
TWO SHOWER BAR CONNECTOR

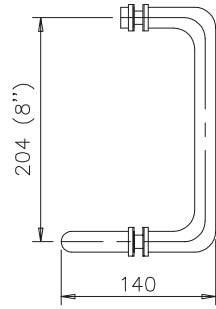
Product Code 7618

UNSPSC Code 40141799SD00074

Features

- Shower Header Clip to hold shower bar at any angle between 75° and 285°
- Made of brass which makes the fittings highly corrosion resistant and durable
- Surface polishing with chrome prevents water seeping into the fitting
- High load bearing capacity
- Suitable for Ø19 mm (1.9 cm) pipe





SHOWER CUBICLE HANDLE - D TYPE

Product Code 3372 (Matte)

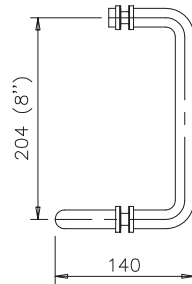
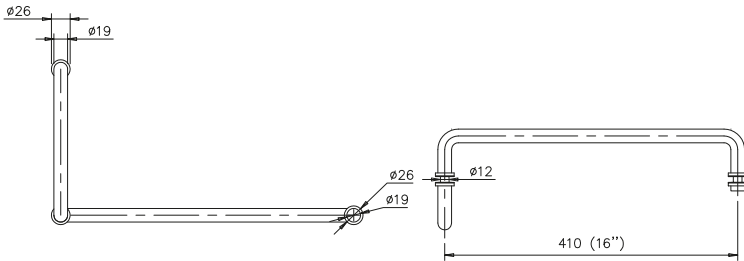
UNSPSC Code 31162801SD00066

Product Code 3170 (Glossy)

UNSPSC Code 31162801SD00456

Features

- Shower Door Handle with towel handle
- Sleek design
- Towelbar outside and handle inside
- Made of SS 304 which offers high corrosion resistance
- Matte finish



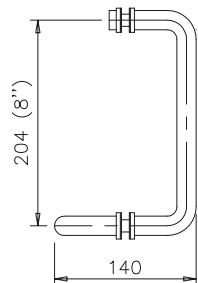
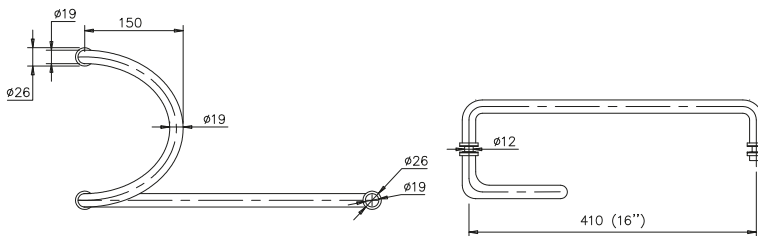
SHOWER CUBICLE HANDLE - U TYPE

Product Code 3373

UNSPSC Code 31162801SD00067

Features

- Shower Door Handle with towel handle
- Sleek design
- Towelbar outside and handle inside
- Made of SS 304 which offers high corrosion resistance
- Matte finish



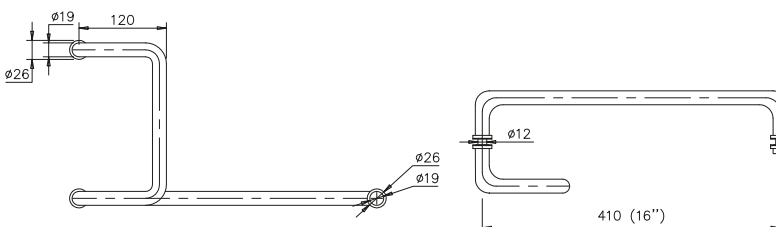
SHOWER CUBICLE HANDLE - C TYPE

Product Code 3680

UNSPSC Code 31162801SD00068

Features

- Shower Door Handle with towel handle
- Sleek design
- Towelbar outside and handle inside
- Made of SS 304 which offers high corrosion resistance
- Matte finish





MAGNETIC SEALS - 90°

Product Code	7333 (8 mm)
UNSPSC Code	40141799SD00084
Product Code	7334 (10 mm)
UNSPSC Code	40141799SD00085
Product Code	7335 (12 mm) (1.2 cm)
UNSPSC Code	40141799SD00086

Features

- Made of PVC for durability
- Twin magnetic strips for firm closing
- Length of 2.1M



MAGNETIC SEALS - 135°

Product Code	7330 (8 mm)
UNSPSC Code	40141799SD00081
Product Code	7331 (10 mm)
UNSPSC Code	40141799SD00082
Product Code	7332 (12 mm) (1.2 cm)
UNSPSC Code	40141799SD00083

Features

- Made of PVC for durability
- Twin magnetic strips for firm closing
- Length of 2.1M



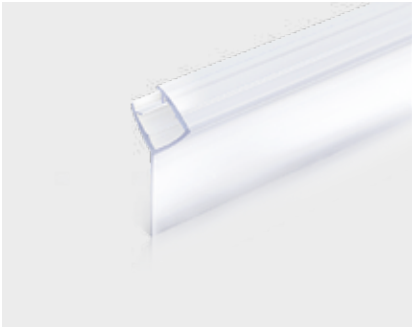
MAGNETIC SEALS - 180°

Product Code	7327 (8 mm)
UNSPSC Code	40141799SD00078
Product Code	7328 (10 mm)
UNSPSC Code	40141799SD00079
Product Code	7329 (12 mm) (1.2 cm)
UNSPSC Code	40141799SD00080

Features

- Made of PVC for durability
- Twin magnetic strips for firm closing
- Length of 2.1M

ONE SIDE SEAL



Product Code	7336 (8 mm)
UNSPSC Code	40141799SD00087
Product Code	7337 (10 mm)
UNSPSC Code	40141799SD00088
Product Code	7338 (12 mm) (1.2 cm)
UNSPSC Code	40141799SD00089

Features

- Made of PVC for durability
- Soft PVC at the tip to ensure cushion
- Suitable for use between glass and wall
- Length of 2.1M

CENTRAL 180° WEATHER SEALS



Product Code	7339 (8 mm)
UNSPSC Code	40141799SD00090
Product Code	7340 (10 mm)
UNSPSC Code	40141799SD00091
Product Code	7341 (12 mm) (1.2 cm)
UNSPSC Code	40141799SD00092

Features

- Made of PVC for durability
- 180° soft PVC at the tip to ensure cushion
- Suitable for use between two glasses
- Length of 2.1M

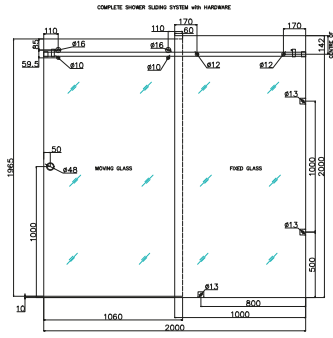
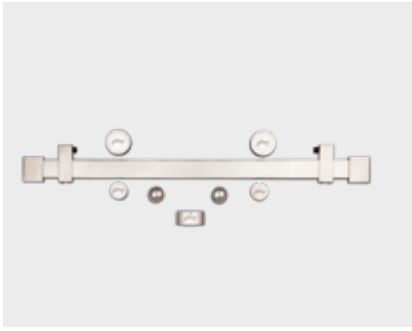
WATER DEFLECTOR SEAL



Product Code	7342 (8 mm)
UNSPSC Code	40141799SD00093
Product Code	7343 (10 mm)
UNSPSC Code	40141799SD00094
Product Code	7344 (12 mm) (1.2 cm)
UNSPSC Code	40141799SD00095

Features

- Made of PVC for durability
- Mop-like shape for proper seepage of water
- Suitable for use at the bottom of glass door
- Length of 2.1M



"This drawing is for representation purpose only and may vary based on actual measurement of the site."

SHOWER SLIDING KIT

Product Code 5792

UNSPSC Code 40141799SD00210

SHOWER SLIDING TRACK

Product Code 5793

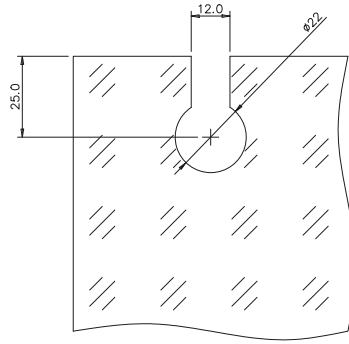
UNSPSC Code 40141799SD00211

Features

- Enhance esthetic appeal of shower cubicle with clean looks of sliding system
- All parts of the sliding system made of stainless steel 304 (SS304) material for rust resistance
- Glossy finish to match with other shower cubicle accessories
- Easy to accommodate 8mm to 12mm (0.8 to 1.2 cm) of glass thickness with a weight capacity of 65kg.
- Shower sliding track made of stainless steel 304 (SS304) material for rust resistance
- Shower sliding track is of length 2 meters
- Durability tested for 50000 lifecycles



- ● Sliding System



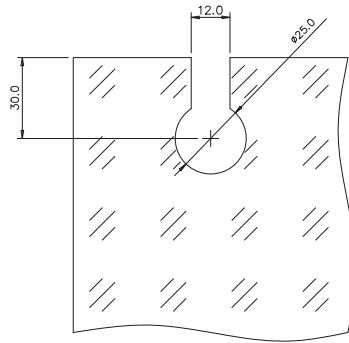
GLASS SLIDING DOOR SYSTEM GSS144 - 60 KG

Product Code 5787

UNSPSC Code 30171514SD00179

Features

- SS 304 glass holding point for high corrosion resistance
- Height adjustable glass holder point
- Roller configuration for even distribution of load
- Independently connected rollers to prevent damage to track and rollers
- Suitable for 8 mm to 12 mm (0.8 to 1.2 cm) glass
- Suitable for door weight 60 kg
- 50,000 cycles tested



GLASS SLIDING DOOR SYSTEM GSS145 - 80 KG

Product Code 5788

UNSPSC Code 30171514SD00163

Features

- Four fiber reinforced plastic rollers of 30 mm (3 cm) diameter
- SS 304 glass holding point for high corrosion resistance
- Height adjustable glass holder point
- Roller configuration for even distribution of load
- Independently connected rollers to prevent damage to track and rollers
- Suitable for 8 mm to 12 mm (0.8 to 1.2 cm) glass
- Suitable for door weight 80 kg
- 50,000 cycles tested



SLIDING DOOR TRACK- T1

Product Code 5789

UNSPSC Code 30171514SD00164

Features

- Single door track
- Aluminum anodized track
- Wall/Ceiling/Glass mountable
- Small size for better look
- Standard size of 2 meter

DOUBLE SLIDING DOOR TRACK- T2



Product Code 5790

UNSPSC Code 30171514SD00165

Features

- Suitable for double door
- Aluminum anodized Track
- Robust in construction
- For ceiling mounting
- Small size for better look
- Standard size of 2 meter

DOUBLE SLIDING DOOR TRACK WITH FIX GLASS- T3



Product Code 5791

UNSPSC Code 30171514SD00166

Features

- Suitable for door and fixed glass
- Aluminum anodized Track
- Robust in construction
- For ceiling mounting
- Small size for better look
- Standard size of 2 meter

WALL TO TRACK CONNECTOR

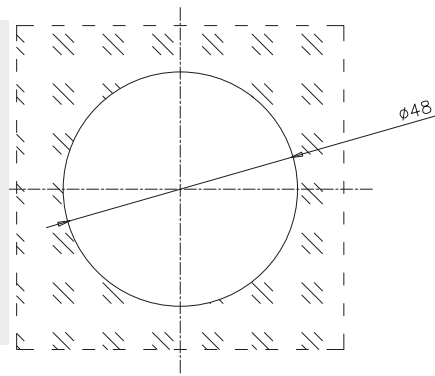


Product Code 5606

UNSPSC Code 40141799SD00140

Features

- Track mounting bracket
- Elongated hole to compensate for drilling inaccuracies
- Flat face for firm mounting
- Mounted on the top of the track
- Made of SS 304 material for high corrosion resistance



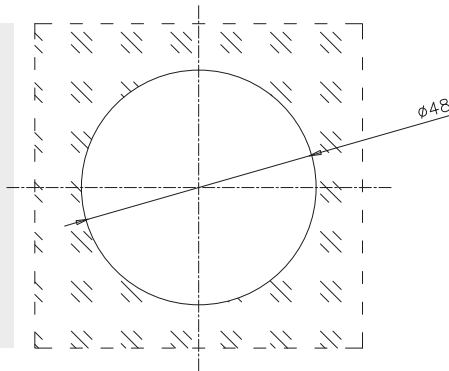
SLIDING DOOR HANDLE-01

Product Code 5450

UNSPSC Code 31162801SD00175

Features

- Sliding glass door handle
- SS 304 material for high corrosion resistance
- Glass preparation 48 mm (4.8 cm) diameter hole



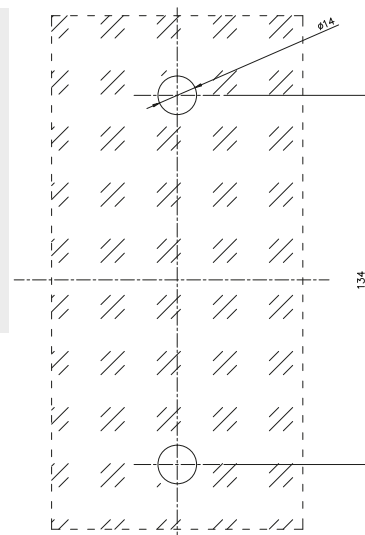
SLIDING DOOR HANDLE-02

Product Code 5452

UNSPSC Code 31162801SD00176

Features

- Sliding door through handle
- Ensures better operating comfort
- SS 304 material for high corrosion resistance



SLIDING DOOR HANDLE-03

Product Code 5453

UNSPSC Code 31162801SD00177

Features

- Sliding door handle
- SS 304 material for high corrosion resistance
- Rectangular shape handle



- ● Floor Springs



Features

- Adjustable closing speed and latching speed
- Mechanical hold open at 90°
- High grade cast iron body housed in galvanised steel box
- Thermostable hydraulic fluid to ensure smooth operation in any climatic condition
- Fixed power size - 2
- Maximum closing moment - 22 Nm
- SS 304 Coverplate for high corrosion resistance

FLOOR SPRING D60

Product Code 7477

UNSPSC Code 30171514SD00053

Maximum door weight	60 kg
Maximum door width	900 mm (90 cm)
Product dimensions (LxWxH)	260x106x44.5
Power size	2
Adj. latching speed	Yes
Adj. closing speed	Yes
Hold open	Yes
Lifecycles	1 lakh



Features

- Adjustable closing speed and latching speed
- Mechanical hold open at 90°
- High grade cast iron body housed in galvanised steel box
- Thermostable hydraulic fluid to ensure smooth operation in any climatic condition
- Fixed power size - 2
- Maximum closing moment - 22 Nm
- SS 304 Coverplate for high corrosion resistance

FLOOR SPRING D80

Product Code 8293

UNSPSC Code 30171514SD00036

Maximum door weight	80 kg
Maximum door width	950 mm (90 cm)
Product dimensions (LxWxH)	256x105x50
Power size	2
Adj. latching speed	Yes
Adj. closing speed	Yes
Lifecycles	1 lakh



Features

- Adjustable closing speed and latching speed
- Installation height at 40 mm (4 cm) which enables thin slab application
- Mechanical hold open at 90°
- High grade cast iron body housed in galvanised steel box
- Thermostable hydraulic fluid to ensure smooth operation in any climatic condition
- Fixed power size - 2
- Maximum closing moment - 20 Nm
- SS 304 Coverplate for high corrosion resistance

FLOOR SPRING B710

Product Code 8341

UNSPSC Code 30171514SD00014

Maximum door weight	80 kg
Maximum door width	900 mm (90 cm)
Product dimensions (LxWxH)	274x97x40
Power size	2
Adj. latching speed	Yes
Adj. closing speed	Yes
Hold open	Yes
Lifecycles	1 lakh

FLOOR SPRING D100



Features

- Adjustable closing speed and latching speed
- Installation height at 40 mm (4 cm) which enables thin slab application
- Mechanical hold open at 90°
- High grade cast iron body housed in galvanised steel box
- Thermostable hydraulic fluid to ensure smooth operation in any climatic condition
- Fixed power size - 3
- Maximum closing moment - 22 Nm
- SS 304 Coverplate for high corrosion resistance

Product Code 8294

UNSPSC Code 30171514SD00035

Maximum door weight	100 kg
Maximum door width	1050 mm (1.05 meter)
Product dimensions (LxWxH)	308x108x40
Power size	3
Adj. latching speed	Yes
Adj. closing speed	Yes
Hold open	Yes
Lifecycles	5 lakh
EN rating	Yes
Fire rating	Yes



SUPER HEAVY DUTY FLOOR SPRING D120



Features

- Adjustable closing speed and latching speed
- Mechanical hold open at 90°
- Installation height at 40 mm (4 cm) which enables thin slab application
- High grade cast iron body housed in galvanised steel box
- Thermostable hydraulic fluid to ensure smooth operation in any climatic condition
- Fixed power size - 4
- Maximum closing moment - 33 Nm
- SS 304 Coverplate for high corrosion resistance

Product Code 7381

UNSPSC Code 30171514SD00054

Maximum door weight	120 kg
Maximum door width	1250 mm (1.25 meter)
Product dimensions (LxWxH)	308x108x40
Power size	4
Adj. latching speed	Yes
Adj. closing speed	Yes
Hold open	Yes
Lifecycles	5 lakh
EN rating	Yes
Fire rating	Yes



SUPER HEAVY DUTY FLOOR SPRING D150



Features

- Adjustable closing speed and latching speed
- Installation height at 40 mm (4 cm) which enables thin slab application
- Mechanical hold open at 90°
- High grade cast iron body housed in galvanised steel box
- Thermostable hydraulic fluid to ensure smooth operation in any climatic condition
- Fixed power size - 4
- Maximum closing moment - 22 Nm
- SS 304 Coverplate for high corrosion resistance

Product Code 7382

UNSPSC Code 30171514SD00055

Maximum door weight	150 kg
Maximum door width	1300 mm (1.3 meter)
Product dimensions (LxWxH)	308x108x40
Power size	4
Adj. latching speed	Yes
Adj. closing speed	Yes
Hold open	Yes
Lifecycles	5 lakh
EN rating	Yes
Fire rating	Yes



FLOOR SPRING B803



Features

- Adjustable closing speed and latching speed
- Installation height at 40 mm (4 cm) which enables thin slab application
- High grade cast iron body housed in galvanised steel box
- Thermostable hydraulic fluid to ensure smooth operation in any climatic condition
- Fixed power size - 3
- Maximum closing moment - 25 Nm
- SS 304 Coverplate for high corrosion resistance
- EN Certified and CE Marked

Product Code	7886
UNSPSC Code	30171514SD00168

Maximum door weight	100 kg
Maximum door width	1000 mm (1 meter)
Product dimensions (LxWxH)	307x108x40
Power size	3
Adj. latching speed	Yes
Adj. closing speed	Yes
Hold open	No
Lifecycles	5 lakh
EN rating	Yes
Fire rating	Yes



FLOOR SPRING B804



Features

- Adjustable closing speed and latching speed
- Installation height at 40 mm (4 cm) which enables thin slab application
- High grade cast iron body housed in galvanised steel box
- Thermostable hydraulic fluid to ensure smooth operation in any climatic condition
- Fixed power size - 4
- Maximum closing moment - 25 Nm
- SS 304 Coverplate for high corrosion resistance
- EN Certified and CE Marked

Product Code	7887
UNSPSC Code	30171514SD00169

Maximum door weight	100 kg
Maximum door width	1100 mm (1.1 meter)
Product dimensions (LxWxH)	307x108x40
Power size	4
Adj. latching speed	Yes
Adj. closing speed	Yes
Hold open	No
Lifecycles	5 lakh
EN rating	Yes
Fire rating	Yes



FLOOR SPRING DCF-80



Features

- Double cylinder floor spring
- Adjustable closing speed and latching speed
- Mechanical hold open at 90 degree
- High grade cast iron body housed in galvanised steel box
- Thermostable hydraulic fluid to ensure smooth operation in any climatic condition
- Fixed power size of 3
- Maximum closing moment-22Nm
- SS304 cover plate for high corrosion resistance

Product Code	5749
UNSPSC Code	30171514SD00171

Maximum door weight	80 kg
Maximum door width	1050 mm (1.05 meter)
Product dimensions (LxWxH)	308x109x43.5
Power size	3
Adj. latching speed	Yes
Adj. closing speed	Yes
Hold open	Yes
Lifecycles	1 lakh



TOP AND BOTTOM PIVOT FOR FLOOR SPRING

Product Code	6618
UNSPSC Code	30171514PA00017

Features

- Stainless Steel cover provided for enhanced aesthetics & corrosion resistance
- Zinc Plated part with yellow passivation for long life & corrosion resistance
- Bolt throw adjustment provided in hinge for ease of installation.
- Distance adjustment for insets provided in hinge bush for the case of installation

Suitable for:

- Floor Spring with wooden or aluminum framed doors



HYDRAULIC DOOR PATCH

Product Code	4566
UNSPSC Code	40141799SD00243

Description	Hydraulic Patch-100kg
Std. packaging	02
Product dimensions (LxWxH)	182 x 80 x 42 mm
	18.2 X 8 X 4.2 cm
Maximum door weight	100 kg
Power size	3
Mechanical hold open	90°
Maximum door opening angle	170°
Adj. latching speed	15° to 0°
Adj. closing speed	170° to 15°

Features

- No digging and cutting of floor required
- Adjustable closing and latching speed
- Mechanical hold open at 90°
- Thermostable hydraulic fluid to ensure smooth operation in any climatic condition
- SS304 cover plate for hydraulic patch
- UL certified hydraulic patch with 100000 life cycle tested

Benefits

- Provides quick and easy installation. Saves time.
- Provides ease of closing as per user's requirement
- Ensures complete opening of door without closing
- Smooth and uninterrupted functioning in any climatic conditions (-10°C to +50°C)
- Provides high corrosion resistance
- Tested to world standards ensuring better product functionality



Features

- Adjustable closing speed and latching speed
- Mechanical hold open at 90°
- High grade cast iron body housed in galvanised steel box
- Thermostable hydraulic fluid to ensure smooth operation in any climatic condition
- Fixed power size - 2
- Maximum closing moment - 22 Nm
- SS 304 Coverplate for high corrosion resistance
- Dumble shape provides firm grip in the pivot hole in top patch
- Restrict elongation of pivot hole in usage
- Adjustable pivot point provide adjustment during fitment of glass

FLOOR SPRING COMBO WITHOUT LOCK PATCH (60 KG)

Product Code	2217
UNSPSC Code	30171514SD00280

Maximum door weight	60 kg
Maximum door width	900 mm (90 cm)
Product dimensions (LxWxH)	260x106x44.5
Power size	2
Adj. latching speed	Yes
Adj. closing speed	Yes
Hold open	Yes
Lifecycles	1 lakh



Features

- Adjustable closing speed and latching speed
- Mechanical hold open at 90°
- High grade cast iron body housed in galvanised steel box
- Thermostable hydraulic fluid to ensure smooth operation in any climatic condition
- Fixed power size - 2
- Maximum closing moment - 22 Nm
- SS 304 Coverplate for high corrosion resistance
- Dumble shape provides firm grip in the pivot hole in top patch
- Restrict elongation of pivot hole in usage
- Adjustable pivot point provide adjustment during fitment of glass
- Locking bolts extends out to 15 mm (1.5 cm)

FLOOR SPRING COMBO WITH LOCK PATCH (60 KG)

Product Code	2218
UNSPSC Code	30171514SD00281

Maximum door weight	60 kg
Maximum door width	900 mm (90 cm)
Product dimensions (LxWxH)	260x106x44.5
Power size	2
Adj. latching speed	Yes
Adj. closing speed	Yes
Hold open	Yes
Lifecycles	1 lakh



Features

- Adjustable closing speed and latching speed
- Mechanical hold open at 90°
- High grade cast iron body housed in galvanised steel box
- Thermostable hydraulic fluid to ensure smooth operation in any climatic condition
- Fixed power size - 2
- Maximum closing moment - 22 Nm
- SS 304 Coverplate for high corrosion resistance
- Dumble shape provides firm grip in the pivot hole in top patch
- Restrict elongation of pivot hole in usage
- Adjustable pivot point provide adjustment during fitment of glass

FLOOR SPRING COMBO WITHOUT LOCK PATCH (80 KG)

Product Code	2219
UNSPSC Code	30171514SD00282

Maximum door weight	80 kg
Maximum door width	950 mm (95 cm)
Product dimensions (LxWxH)	256x105x50
Power size	2
Adj. latching speed	Yes
Adj. closing speed	Yes
Lifecycles	1 lakh

FLOOR SPRING COMBO WITH LOCK PATCH (80 KG)



Features

- Adjustable closing speed and latching speed
- Mechanical hold open at 90°
- High grade cast iron body housed in galvanised steel box
- Thermostable hydraulic fluid to ensure smooth operation in any climatic condition
- Fixed power size - 2
- Maximum closing moment - 22 Nm
- SS 304 Coverplate for high corrosion resistance
- Dumbbell shape provides firm grip in the pivot hole in top patch
- Restrict elongation of pivot hole in usage
- Adjustable pivot point provide adjustment during fitment of glass
- Locking bolts extends out to 15 mm (1.5 cm)

Product Code	2220
UNSPSC Code	30171514SD00283

Maximum door weight	80 kg
Maximum door width	950 mm (90 cm)
Product dimensions (LxWxH)	256x105x50
Power size	2
Adj. latching speed	Yes
Adj. closing speed	Yes
Lifecycles	1 lakh

FLOOR SPRING COMBO WITHOUT LOCK PATCH (100 KG)



Features

- Adjustable closing speed and latching speed
- Mechanical hold open at 90°
- High grade cast iron body housed in galvanised steel box
- Thermostable hydraulic fluid to ensure smooth operation in any climatic condition
- Fixed power size - 2
- Maximum closing moment - 22 Nm
- SS 304 Coverplate for high corrosion resistance
- Dumbbell shape provides firm grip in the pivot hole in top patch
- Restrict elongation of pivot hole in usage
- Adjustable pivot point provide adjustment during fitment of glass

Product Code	2221
UNSPSC Code	30171514SD00284

Maximum door weight	100 kg
Maximum door width	1050 mm (1.05 meter)
Product dimensions (LxWxH)	308x108x40
Power size	3
Adj. latching speed	Yes
Adj. closing speed	Yes
Hold open	Yes
Lifecycles	5 lakh
EN rating	Yes
Fire rating	Yes



FLOOR SPRING COMBO WITH LOCK PATCH (100 KG)



Features

- Adjustable closing speed and latching speed
- Mechanical hold open at 90°
- High grade cast iron body housed in galvanised steel box
- Thermostable hydraulic fluid to ensure smooth operation in any climatic condition
- Fixed power size - 2
- Maximum closing moment - 22 Nm
- SS 304 Coverplate for high corrosion resistance
- Dumbbell shape provides firm grip in the pivot hole in top patch
- Restrict elongation of pivot hole in usage
- Adjustable pivot point provide adjustment during fitment of glass
- Locking bolts extends out to 15mm (1.5 cm)

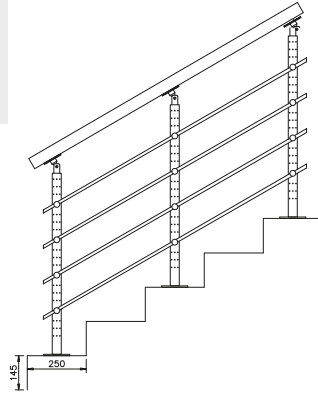
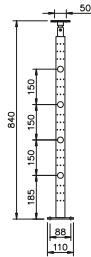
Product Code	2222
UNSPSC Code	30171514SD00285

Maximum door weight	100 kg
Maximum door width	1050 mm (1.05 meter)
Product dimensions (LxWxH)	308x108x40
Power size	3
Adj. latching speed	Yes
Adj. closing speed	Yes
Hold open	Yes
Lifecycles	5 lakh
EN rating	Yes
Fire rating	Yes





- ● Balustrades



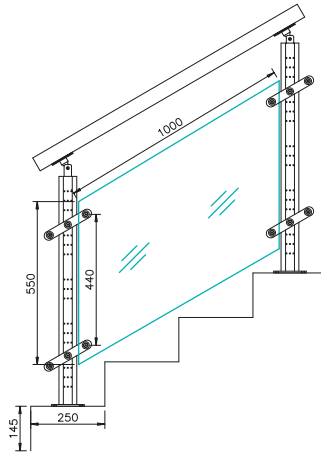
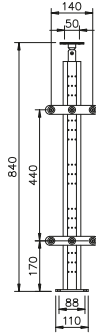
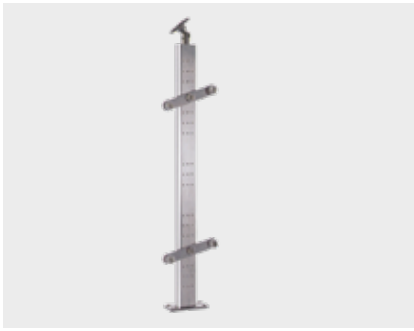
SS RAILING WITH 4 WIRE LOCATORS

Product Code 9381

UNSPSC Code 30103100SD00003

Features

- SS 304 Grade balustrade for strength and high corrosion resistance
- Suitable for pipes
- Suitable for handrails and midrails
- Surface mounted



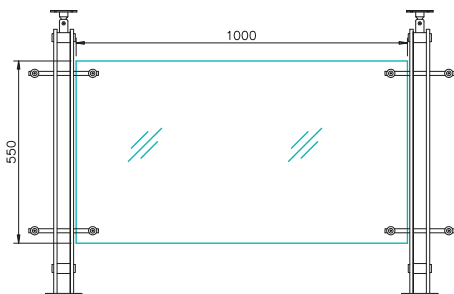
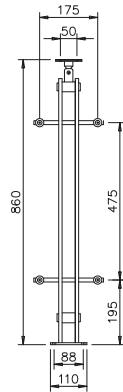
SS RAILING WITH 2 GLASS HOLDERS

Product Code 3013

UNSPSC Code 30103100SD00011

Features

- SS 304 Grade balustrade for strength and high corrosion resistance
- Suitable for glass structure
- Surface mounted



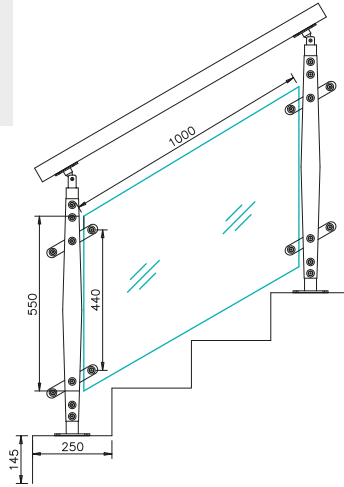
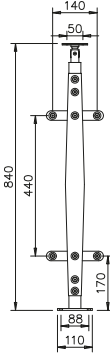
SS RAILING WITH 2 GLASS HOLDERS

Product Code 9382

UNSPSC Code 30103100SD00002

Features

- SS 304 Grade balustrade for strength and high corrosion resistance
- Suitable for glass structure
- Surface mounted



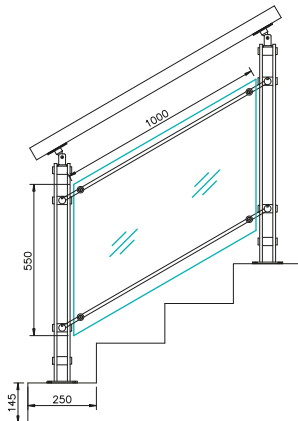
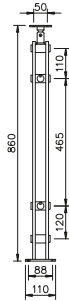
SS RAILING WITH 2 GLASS HOLDERS

Product Code 9383

UNSPSC Code 30103100SD00004

Features

- SS 304 Grade balustrade for strength and high corrosion resistance
- Suitable for glass structure
- Surface mounted



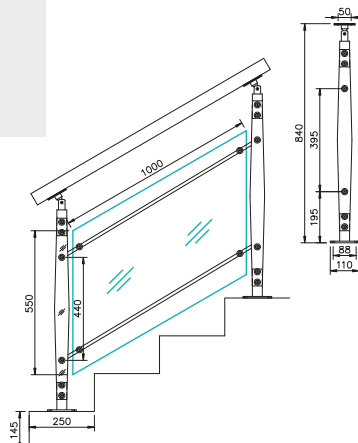
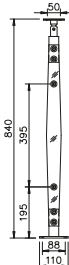
SS RAILING WITH 2 WIRE LOCATORS

Product Code 9384

UNSPSC Code 30103100SD00010

Features

- SS 304 Grade balustrade for strength and high corrosion resistance
- Suitable for glass structure
- Surface mounted



WOODEN RAILING WITH 2 INBOUND WIRE LOCATORS

Product Code 9385

UNSPSC Code 30103100SD00017

Features

- Wooden railing for aesthetic appeal
- Suitable for pipes and glass
- Suitable for handrails and midrails
- Surface mounted

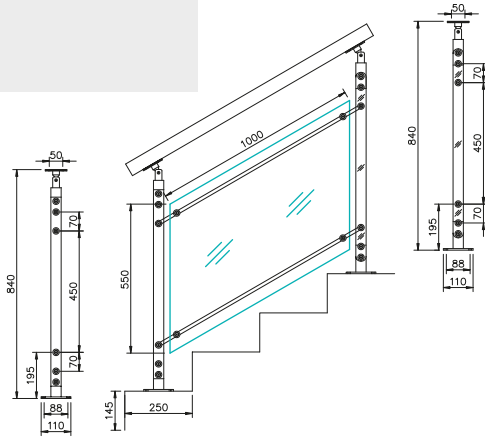


ORANGE WOODEN RAILING WITH 2 INBOUND WIRE LOCATORS

Product Code	9386
UNSPSC Code	30103100SD00013

Features

- Orange finish wooden railing for aesthetic appeal
- Suitable for pipes and glass
- Suitable for handrails and midrails
- Surface mounted

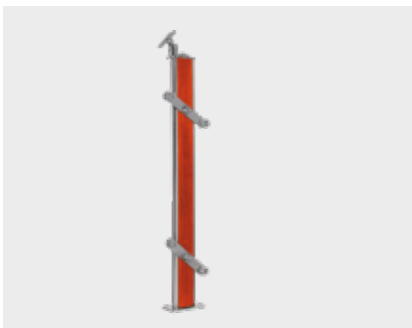
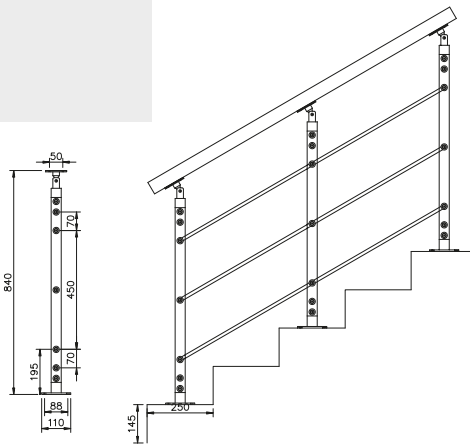


BLACK WOODEN RAILING WITH 3 INBOUND WIRE LOCATORS

Product Code	9387
UNSPSC Code	30103100SD00016

Features

- Black finish wooden railing for aesthetic appeal
- Suitable for pipes
- Suitable for handrails and midrails
- Surface mounted

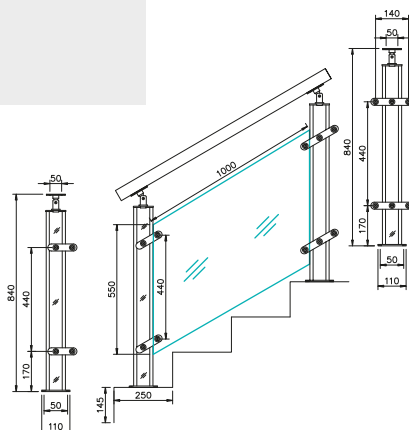


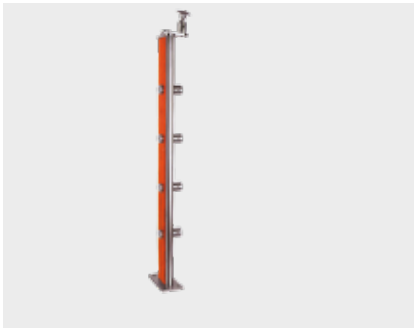
WOODEN RAILING WITH 2 GLASS HOLDERS

Product Code	9388
UNSPSC Code	30103100SD00012

Features

- Wooden railing for aesthetic appeal
- Suitable for glass structure
- Surface mounted





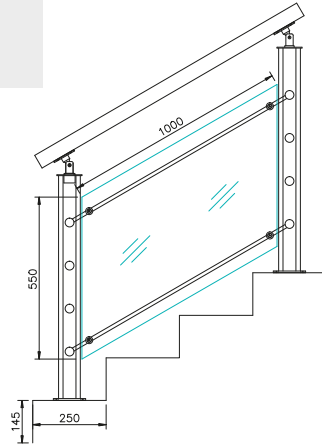
WOODEN RAILING WITH 4 WIRE LOCATORS

Product Code 9389

UNSPSC Code 30103100SD00015

Features

- Wooden railing for aesthetic appeal
- Suitable for pipes
- Suitable for handrails and midrails
- Surface mounted



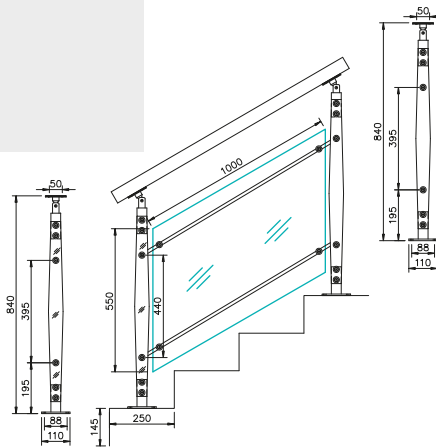
BLUE ACRYLIC OBLONG RAILING WITH 2 INBOUND WIRE LOCATORS

Product Code 9382

UNSPSC Code 30103100SD00007

Features

- Blue colour acrylic for aesthetic appeal
- Suitable for glass structure
- Suitable for handrails and midrails
- Surface mounted



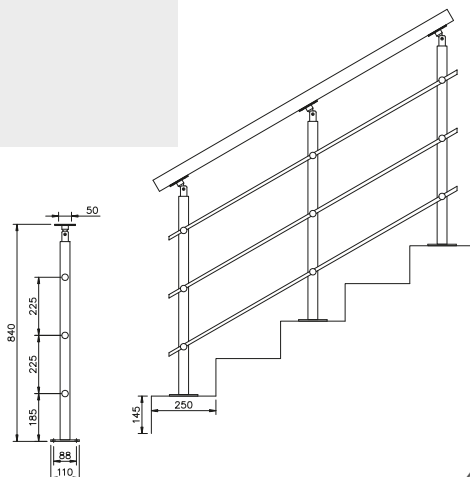
SS RAILING WITH 3 WIRE LOCATORS

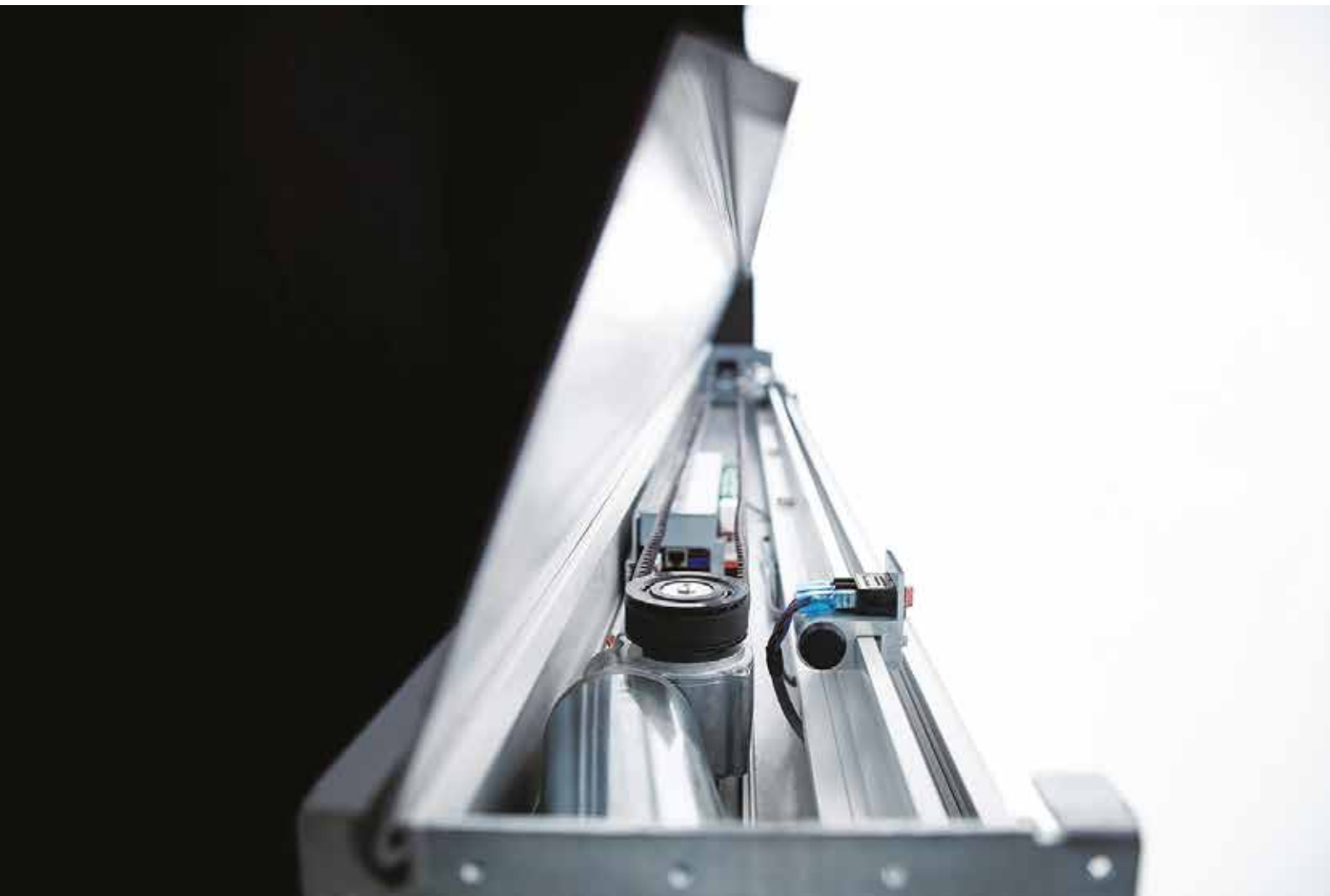
Product Code 8703

UNSPSC Code 30103100SD00008

Features

- SS 304 balustrade for strength and high corrosion resistance
- Suitable for pipes
- Suitable for handrails and midrails
- Surface mounted





- ● Automatic Door

• • **Door Automatic**



• • **Door Automatic Internal Components**

• **Aluminium Profile (Rail & Cover)**



• **Motor**



• **Controller**



• **Timing Belt**



• **Hanger Roller**



• **Pulley**



• **On/Off Switch**



• **Guide Roller**



Product Code	Length of Operator	Max door weight	Clear Passage Length
5089	4.2 m	130 kg X 1 & 120 kg X 2	2000 mm (2 meter)
4298	5.2 m	130 kg X 1 & 120 kg X 2	2500 mm (2.5 meter)
4135	6.2 m	130 kg X 1 & 120 kg X 2	3000 mm (3 meter)

• • **Door Automatic accessories**

• **Safety Sensor**



Product Code > 9009

• **Upper Sensor**



Product Code > 4079

• **Auto door clamp**



Product Code > 5090 - 1m

Product Code > 4316 - 1.5m

TABLE A

Technical Data			
Product Code	5089	4298	4135
Length of operator	4200 mm (4.2 m)	5200 mm (5.2 m)	6200 mm (6.2 m)
Model Name	ST25D	ST25D	ST25D
Max. Door Weight	130 kg x 1 120 kg x 2	130 kg x 1 120 kg x 2	130 kg x 1 120 kg x 2
Clear Passage Length	Max. 2050 mm (2.05 m)	Max. 2550 mm (2.55 m)	Max. 3050 mm (3.05 m)
Clear Passage Height	No Limit (but must consider door weight and door width) 2100 mm - 3000 mm		
Power Consumption	100 Watts		
Power Supply Factory	Set: 180 - 240V (110V; on demand) (SMPS Type)		
Open/Close Speed	(Door Weight: 70 kg) Open Speed 135 mm/sec - 550 mm/sec		
Close Speed	75 mm/sec - 350 mm/sec		
Open Hold Time	Max .999 seconds		
Power Failure	Adjustable: 1. No open 2. 100 mm open 3. Full open (option battery pack)		
Certifications	Lifecycle tests 3 million (3,000,000) cycling test pass		

Product Components Name	ST25D - 4.2 m	ST25D - 5.2 m	ST25D - 6.2 m
Length of operator	4200 mm (4.2 m)	5200 mm (5.2 m)	6200 mm (6.2 m)
Motor	From Germany (Drunkermotor)		
Controller	PI (Proportional - Integral) Control		
Upper Sensor	Motion Sensor		
Safety Sensor	Safety sensor eye		
Hanger Roller	4	4	4
Guide Roller	1	2	2
Switch cum stopper	1	1	1
Timing Belt	7.4 m	9.4 m	11.4 m
Idle Pulley	1	1	1
Single Belt Connector	1	1	1
Double Belt Connector	1	1	1
Aluminium Rail	4.2 m (box & cover)	5.2 m (box & cover)	6.2 m (box & cover)
Side Bracket	2	2	2
Control Jack	1	1	1
Cable Clip	8	10	10
Stopper	1	1	1
Availability of above models			
Optional	✓	✓	✓
Touch Switch	✓	✓	✓
Switch for Handicapped	✓	✓	✓
Card Reader	✓	✓	✓



- ● Digital Door Lock



• Advantis Crystal

Product Code 5000
UNSPSC Code 46171599SD00084



ACCESS MODE:
Password: 4 to 12 digits for enhanced password strength (Register up to 4 unique passwords).



RFID CARD:
Register up to 100 cards for multiple user access.



AUTOLOCKING:
Eliminates the hassle of manually locking the door.



FIRE SENSOR*:
Automatically unlocks the door in case of a fire.



MULTI-LEVEL VOLUME CONTROL:
Adjustable volume with mute function for silent operation.



LOW BATTERY INDICATION:
A beep sound alerts you in advance to replace the battery.



COMPATIBILITY:
The lock is compatible with the remote and video door phone for ease of operation.



BREAK-IN DAMAGE ALARM:
Alarm goes off if a wrong password is entered 5 times in a row.



ADJUSTABLE SPYCODE:
Random numbers can be added before or after the password in the presence of strangers, thereby maintaining secrecy.



EMERGENCY BATTERY:
In case the battery is completely discharged, an external 9V battery can be used to operate the lock.

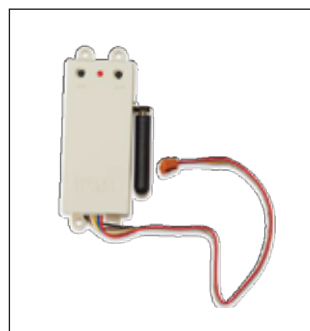
• RFID Tag



• Remote



• VDP Module



• Strike Box



Product Code 4986

Product Code 5106

Product Code 4998



ARCHITECTURAL FITTINGS AND SYSTEMS

SMART ENGINEERING FOR MODERN LIVING.

New Delhi	:	+91 - 11 - 6650 7320 / 24 - 26
Chandigarh	:	+91 - 172 - 501 6644
Lucknow	:	+91 - 522 - 426 5793 / 91
Jaipur	:	+91 - 141 - 670 1425 / 421 - 422
Kolkata	:	+91 - 22 - 6601 3751 / 52/ 53 / 6601 3500 (Board line)
Guwahati	:	+91 - 361 - 611 0741 / 611 0743
Bhubaneshwar	:	+91 - 674 - 237 4600 / 644 / 649
Patna	:	+91 - 612 - 660 6100
Ranchi	:	+91 - 651 - 6603981 /84 / 02 / 03
Pune	:	+91 - 20 - 66255101 / 5000
Mumbai	:	+91 - 22 - 6796 1271 / 74
Ahmedabad	:	+91 - 79 - 6606 0666 / 690 / 611
Bhopal	:	+91 - 755 - 4089410 / 11/12/ 0755 - 4089555
Raipur	:	+91 - 771 - 660 6606 / 799
Chennai	:	+91 - 44 - 6654 4417
Hyderabad	:	+91 - 40 - 6643 1040 / 1150 / 1152
Bengaluru	:	+91 - 80 - 6647 2000 / 351-352 / 484
Kochi	:	+91 - 484 - 661 2600
Coimbatore	:	+91 - 70 9448 8363

Godrej & Boyce Mfg. Co. Ltd.

Godrej Locks & Architectural Fittings and Systems Division, Plant 18 A, Pirojshanagar, Vikhroli (E), Mumbai - 400 079. India

Tel: +91-22-6796 4890 | Toll Free No.: 1800 209 5511 | +91 93216 65511

Website: www.godrej.com | Email: locksmkt@godrej.com | GodrejLocks | godrejlocks | GodrejLocksS