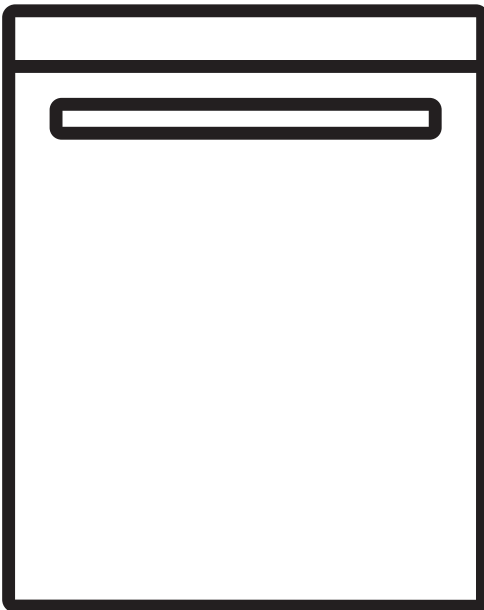


HOW TO GET BEST OUT OF YOUR  
**GODREJ DISHWASHER**  
PART I : **Generic Version**



This image is for representation purpose only.

Dishwasher  
**USER MANUAL**  
DWT EON MGNS 8C NF

## **Congratulations!**

You are now the proud owner of a new Godrej Dishwasher Machine. You can look forward to years of smooth, trouble-free usage from your dishwasher, as well as considerable savings in time, money and effort. Please read this manual carefully as it will tell you how to operate your machine optimally in order to get the best results. If you need any further clarifications, do contact your nearest Godrej dealer or any of our service centres/offices. We would be glad to help you. We wish you an easier, more convenient life with your new Godrej Dishwasher.

# CONTENTS - PART I

|    |    |  |
|----|----|--|
| 01 | 3  | <b>SAFETY INFORMATION</b>                        |
| 02 | 8  | <b>PRODUCT OVERVIEW</b>                          |
| 03 | 9  | <b>USING YOUR DISHWASHER</b>                     |
|    | 9  | Loading The Salt Into The Softener               |
| 04 | 11 | <b>MAINTENANCE AND CLEANING</b>                  |
|    | 11 | External Care                                    |
|    | 11 | Internal Care                                    |
|    | 14 | Caring For The Dishwasher                        |
| 05 | 15 | <b>INSTALLATION INSTRUCTION</b>                  |
|    | 15 | About Power Connection                           |
|    | 16 | Water Connection                                 |
|    | 17 | Connection Of Drain Hoses                        |
|    | 18 | Position The Appliance                           |
| 06 | 19 | <b>TROUBLESHOOTING TIPS</b>                      |
| 07 | 22 | <b>LOADING THE BASKETS ACCORDING TO EN 50242</b> |

## **NOTE:**

- Reviewing the section on troubleshooting Tips will help you solve some common problems by yourself.
- If you cannot solve the problems by yourself, please reach us out at Godrej Smart care toll free no. 1800-209-5511 or Whatsapp "Hi" to 9321665511.
- The manufacturer, following a policy of constant development and updating of the product, may make modifications without giving prior notice.
- If lost or out-of-date, you can receive a new user manual from the manufacturer or responsible vendor.

## SAFETY INFORMATION

### **⚠ WARNING**

**When using your dishwasher , follow the precautions listed below:**

- This appliance is intended to be used in household and similar applications such as:
  - staff kitchen areas in shops, offices and other working environments;
  - farm houses;
  - by clients in hotels, motels and other residential type environments;
  - bed and breakfast type environments.
- This appliance can be used by children aged from 8 years and above and persons with reduced physical, sensory or mental capabilities or lack of experience and knowledge, unless they have been given supervision or instruction concerning use of the appliance in a safe way and understand the hazards involved.

Children shall not play with the appliance. Cleaning and user maintenance shall not be done by children without supervision.(For EN60335-1)
- This appliance is not intended for use by persons(including children )with reduced physical, sensory or mental capabilities, or lack of experience and knowledge, unless they have been given



mental capabilities, or lack of experience and knowledge, unless they have been given supervision or instruction concerning use of the appliance by a person responsible for their safety. (For IEC60335-1 )

- Packaging material could be dangerous for children!
- This appliance is for indoor household use only.  
To protect against the risk of electrical shock, do not immerse the unit, cord or plug in water or other liquid.
- Please unplug before cleaning and performing maintenance on the appliance.
- Use a soft cloth moistened with mild soap, and then use a dry cloth to wipe it again.

## **Earthing Instructions**

---

- This appliance must be earthed. In the event of a malfunction or breakdown, earthing will reduce the risk of an electric shock by providing a path of least resistance of electric current. This appliance is equipped with an earthing conductor plug.
- The plug must be plugged into an appropriate outlet that is installed and earthed in accordance with all local codes and ordinances.
- Improper connection of the equipment-earthing conductor can result in the risk of an electric shock.
- Check with a qualified electrician or service representative if you are in doubt whether the appliance is properly grounded.

- Do not modify the plug provided with the appliance; If it does not fit the outlet.
- Have a proper outlet installed by a qualified electrician.
- Do not abuse, sit on, or stand on the door or dish rack of the dishwasher.
- Do not operate your dishwasher unless all enclosure panels are properly in place.
- Open the door very carefully if the dishwasher is operating, there is a risk of water squirting out.
- Do not place any heavy objects on or stand on the door when it is open. The appliance could tip forward.
- When loading items to be washed:
  - 1) Locate sharp items so that they are not likely to damage the door seal;
  - 2) Warning: Knives and other utensils with sharp points must be loaded in the basket with their points facing down or placed in a horizontal position.
- Some dishwasher detergents are strongly alkaline. They can be extremely dangerous if swallowed. Avoid contact with the skin and eyes and keep children away from the dishwasher when the door is open.
- Check that the detergent powder is empty after completion of the wash cycle.

- Do not wash plastic items unless they are marked "dishwasher safe" or the equivalent.
- For unmarked plastic items not so marked, check the manufacturer's recommendations.
- Use only detergent and rinse agents recommended for use in an automatic dishwasher.
- Never use soap, laundry detergent, or hand washing detergent in your dishwasher.
- The door should not be left open, since this could increase the risk of tripping.

If the supply cord is damaged, it must be replaced by the manufacturer or its service agent or a similarly qualified person in order to avoid a hazard.

- During installation, the power supply must not be excessively or dangerously bent or flattened.
- Do not tamper with controls.
- The appliance needs to be connected to the main water valve using new hose sets. Old sets should not be reused.
- To save energy, in stand by mode, the appliance will switch off automatically while there is no any operation in 30 minutes.

The maximum number of place settings to be washed is 8.

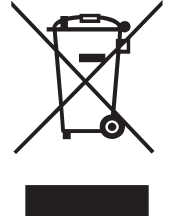
The maximum permissible inlet water pressure is 1MPa.

The minimum permissible inlet water pressure is 0.04MPa.

# Disposal

---

- For disposing of package and the appliance please go to a recycling center. Therefore cut off the power supply cable and make the door closing device unusable.

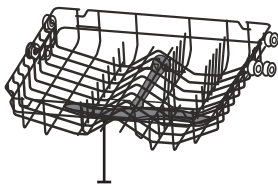
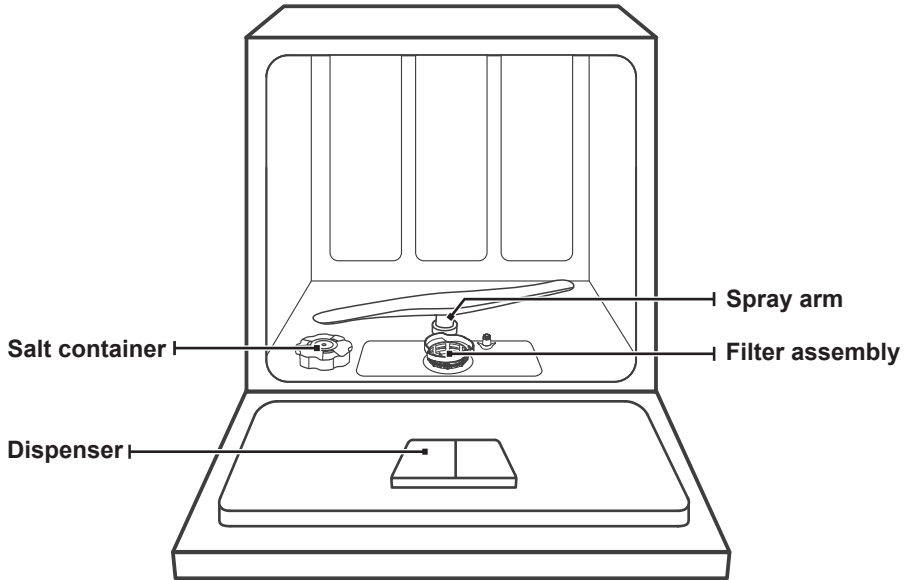


- Cardboard packaging is manufactured from recycled paper and should be disposed in the waste paper collection for recycling.
- By ensuring this product is disposed of correctly, you will help prevent potential negative consequences for the environment and human health, which could otherwise be caused by inappropriate waste handling of this product.
- For more detailed information about recycling of this product, please contact your local city office and your household waste disposal service.
- **DISPOSAL: Do not dispose this product as unsorted municipal waste. Collection of such waste separately for special treatment is necessary.**

# PRODUCT OVERVIEW

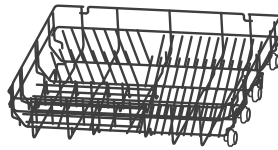
## ❗ IMPORTANT:

To get the best performance from your dishwasher, read all operating instructions before using it for the first time.

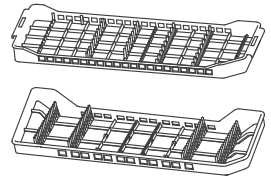


upper spray arm

Upper basket



Lower basket



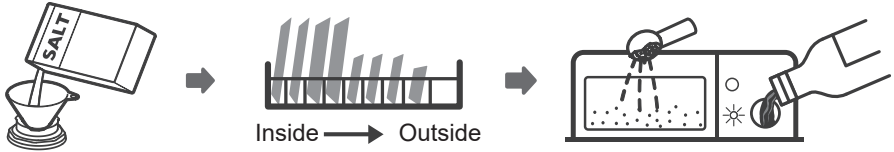
Cutlery rack

## 💡 NOTE:

Pictures are only for reference, different models may be different.  
Please prevail in kind.

# USING YOUR DISHWASHER

Before using your dishwasher :



1. Set the water softener
2. Loading the Salt Into the Softener
3. Loading the basket
4. Fill the dispenser



Please check the section "Water Softener" of PART II : Special Version, if you need to set the water softener.

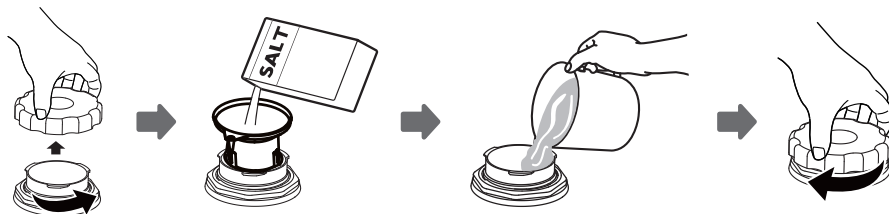
## Loading The Salt Into The Softener

Always use salt intended for dishwasher use. The salt container is located beneath the lower basket and should be filled as explained in the following:

### **⚠ WARNING**

- **Only use salt specifically designed for dishwashers use!**  
Every other type of salt not specifically designed for dishwasher use, especially table salt, will damage the water softener. In case of damages caused by the use of unsuitable salt the manufacturer does not give any warranty nor is liable for any damages caused.
- **Only fill with salt before running a cycle.**  
This will prevent any grains of salt or salty water, which may have been spilled, remaining on the bottom of the machine for any period of time, which may cause corrosion.

Please follow the steps below for adding dishwasher salt:



1. Remove the lower basket and unscrew the reservoir cap.
2. Place the end of the funnel (supplied) into the hole and pour in about 1kg of dishwasher salt.
3. Before first wash, fill the salt container to its maximum limit with water, It is normal for a small amount of water to come out of the salt container.
4. After filling the container, screw back the cap tightly.
5. The salt warning light will stop being after the salt container has been filled with salt.
6. Immediately after filling the salt into the salt container, a washing program should be started (We suggest to use "Quick 35" program). Otherwise the filter system, pump or other important parts of the machine may be damaged by salty water. This is out of warranty.

 **NOTE:**

- The salt container must only be refilled when the salt warning light (⚡) in the control panel comes on. Depending on how well the salt dissolves, the salt warning light may still be on even though the salt container is filled.
- If salt has spilled, run a Quick 35 program to remove it.

## External Care

---

### The door and the door seal

Clean the door seals regularly with a soft damp cloth to remove food deposits. When the dishwasher is being loaded, food and drink residues may drip onto the sides of the dishwasher door. These surfaces are outside the wash cabinet and are not accessed by water from the spray arms. Any deposits should be wiped off before the door is closed.

### The control panel

If cleaning is required, the control panel should be wiped with a soft damp cloth **ONLY**.

#### **WARNING**

- To avoid penetration of water into the door lock and electrical components, do not use a spray cleaner of any kind.
- Never use abrasive cleaners or scouring pads on the outer surfaces because they may scratch the finish. Some paper towels may also scratch or leave marks on the surface.

## Internal Care

---

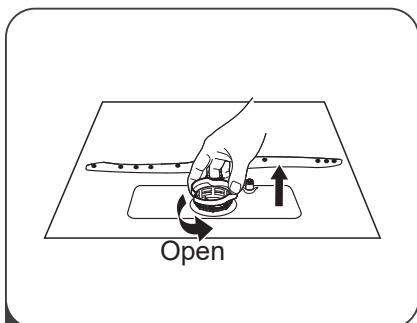
### Filtering system

The filtering system in the base of the wash cabinet retains coarse debris from the washing cycle. The collected coarse debris may cause the filters to clog. Check the condition of the filters regularly and clean them if necessary under running water. It is good practice to remove the larger food particles trapping in the filter after each wash cycle by rinsing the filter under running water. Follow the steps below to clean the filters in the wash cabinet.

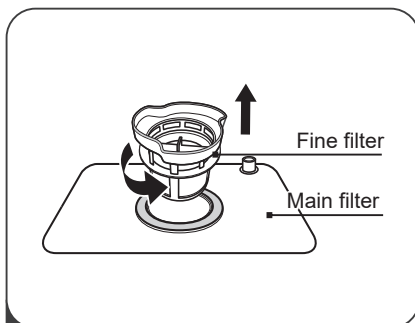
#### **NOTE:**

Pictures are only for reference, different models of the filtering system and spray arms may be different. Please prevail in kind.

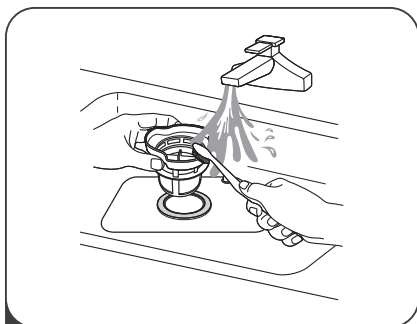




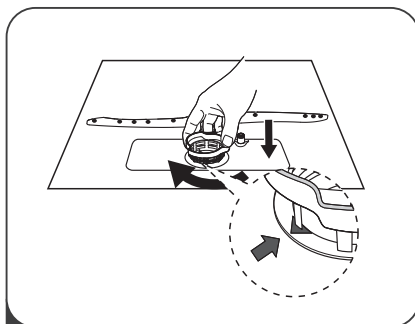
- 1** Hold the coarse filter and rotate it anticlockwise to unlock the filter. Lift the filter upwards and out of the dishwasher.



- 2** Lift fine filter up from main filter.



- 3** Larger food remnants can be cleaned by rinsing the filter under running water. For a more thorough clean, use a soft cleaning brush.



- 4** Reassemble the filters in the reverse order of the disassembly, replace the filter insert, and rotate clockwise to the close arrow.

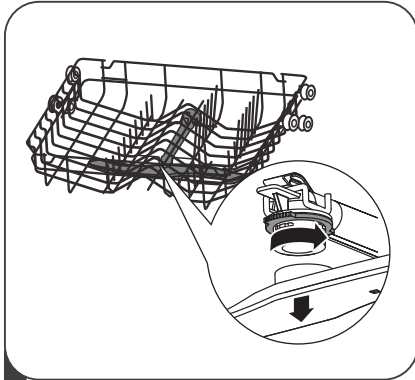
**⚠ WARNING**

- Do not over tighten the filters. Put the filters back in sequence securely, otherwise coarse debris could get into the system and cause a blockage.
- NEVER use the dishwasher without filters in place. Improper replacement of the filter may reduce the performance level of the appliance and damage dishes and utensils.

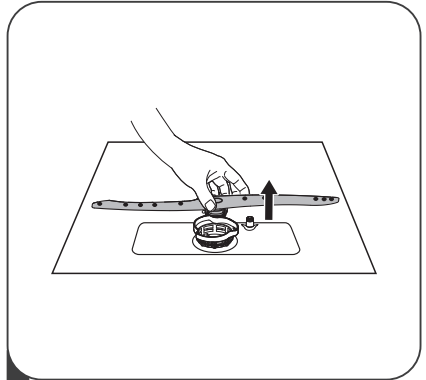
## Spray arms

It is necessary to clean the spray arms regularly for hard water chemicals will clog the spray arm jets and bearings.

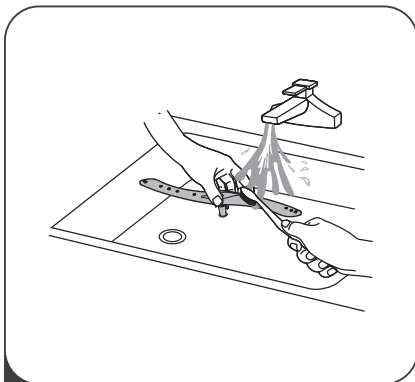
To clean the spray arms, follow the instructions below:



- 1** To remove the upper spray arm, hold the nut in the center still and rotate the spray arm counterclockwise to remove it.



- 2** To remove the lower spray arm, pull out the spray arm upward.



- 3** Wash the arms in soapy and warm water and use a soft brush to clean the jets. Replace them after rinsing them thoroughly.

# Caring For The Dishwasher

---

## Frost precaution

Please take frost protection measures on the dishwasher in winter. Every after washing cycles, please operate as follows:

1. Cut off the electrical power to the dishwasher at the supply source.
2. Turn off the water supply and disconnect the water inlet pipe from the water valve.
3. Drain the water from the inlet pipe and water valve. (Use a pan to gather the water)
4. Reconnect the water inlet pipe to the water valve.
5. Remove the filter at the bottom of the tub and use a sponge to soak up water in the sump.

## After every wash

After every wash, turn off the water supply to the appliance and leave the door slightly open so that moisture and odors are not trapped inside.

## Remove the plug

Before cleaning or performing maintenance, always remove the plug from the socket.

## No solvents or abrasive cleaning

To clean the exterior and rubber parts of the dishwasher, do not use solvents or abrasive cleaning products. Only use a cloth with warm soapy water.

To remove spots or stains from the surface of the interior, use a cloth dampened with water and a little vinegar, or a cleaning product made specifically for dishwashers.

## When not in use for a longtime

It is recommended that you run a wash cycle with the dishwasher empty and then remove the plug from the socket, turn off the water supply and leave the door of the appliance slightly open. This will help the door seals to last longer and prevent odors from forming within the appliance.

## Moving the appliance

If the appliance must be moved, try to keep it in the vertical position. If absolutely necessary, it can be positioned on its back.

# INSTALLATION INSTRUCTIONS

## ⚠ WARNING



### Electrical Shock Hazard

Disconnect electrical power before installing dishwasher.

Failure to do so could result in electrical shock.

## ⚠ Attention

The installation of the pipes and electrical equipments should be done by professionals.

## About Power Connection

## ⚠ WARNING

For personal safety:

- Do not use an extension cord or an adapter plug with this appliance.
- Do not, under any circumstances, cut or remove the earthing connection from the power cord.

### Electrical requirements

Please look at the rating label to know the rating voltage and connect the dishwasher to the appropriate power supply. Use the required fuse 13A time delay fuse or circuit breaker recommended and provide separate circuit serving only this appliance.

### Electrical connection

Ensure the voltage and frequency of the power being corresponds to those on the rating plate. Only insert the plug into an electrical socket which is earthed properly. If the electrical socket to which the appliance must be connected is not appropriate for the plug, replace the socket, rather than using a adaptors or the like as they could cause overheating and burns.

**⚠ Ensure that proper earthing exists before use**

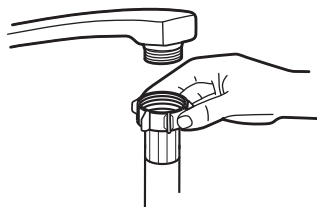
# Water Connection

---

## Cold water connection

Connect the cold water supply hose to a threaded 3/4(inch) connector and make sure that it is fastened tightly in place.

If the water pipes are new or have not been used for an extended period of time, let the water run to make sure that the water is clear. This precaution is needed to avoid the risk of the water inlet to be blocked and damage the appliance.



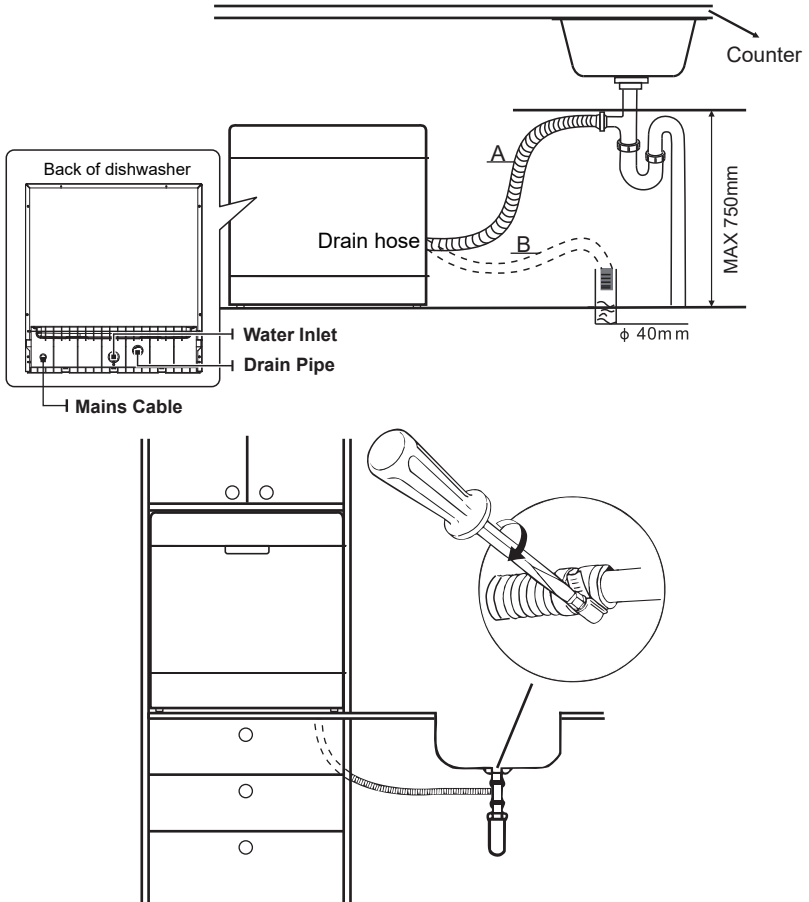
After the connections are made, turn the tap on fully and check for water leaks. Always turn off the water inlet tap after a wash program has finished.

We recommend fitting a filter to your water inlet supply in order to prevent damage to your machine due to contamination (sand, rust etc.) from indoor plumbing. This will also help prevent yellowish deposit formation after washing.

# Connection Of Drain Hoses

Insert the drain hose into a drain pipe with a minimum diameter of 4 cm, or let it run into the sink, making sure to avoid bending or crimping it. The height of drain pipe must be less than 750mm. The free end of the hose must not be immersed in water to avoid the back flow of it.

**⚠** Please securely fix the drain hose in either position A or position B



**Attention:** Secure the drain hose with a clamp to connect it with sink to avoid water spill outside due to loose connection.

## **How to drain excess water from hoses**

If the sink is 1000 higher from the floor, the excess water in hoses cannot be drained directly into the sink. It will be necessary to drain excess water from hoses into a bowl or suitable container that is held outside and lower than the sink.

## **Water outlet**

Connect the water drain hose. The drain hose must be correctly fitted to avoid water leaks. Ensure that the water drain hose is not kinked or squashed.

## **Extension hose**

If you need a drain hose extension, make sure to use a similar drain hose. It must be no longer than 4 meters; otherwise the cleaning effect of the dishwasher could be reduced.

# **Position The Appliance**

---

Position the appliance in the desired location. The back should rest against the wall behind it, and the sides, along the adjacent cabinets or walls. The dishwasher is equipped with water supply and drain hoses that can be positioned either to the right or the left sides to facilitate proper installation.

## **Before start of dishwasher**

The following things should be checked before starting the dishwasher.

1. The dishwasher is leveled and fixed properly.
2. The power cord is securely connected and power is switched on.
3. Inlet hose connections are fully tightened and no water leaks.
4. Drain hose is connected securely.
5. All packing materials, printings and accessories is taken out from the dishwasher.
6. ensure tap is open.

# TROUBLESHOOTING TIPS

## Before Calling For Service

Reviewing the charts on the following pages may save you from calling for service.

| Problem                          | Possible causes                              | Solution   |
|----------------------------------|--|--|
| Dishwasher doesn't start         | Fuse blown, or the circuit breaker tripped.  | Replace fuse or reset circuit breaker. Remove any other appliances sharing the same circuit with the dishwasher.   |
|                                  | Power supply is not turned on.               | Make sure the dishwasher is turned on and the door is closed securely. Make sure the power cord is properly plugged into the wall socket.  |
|                                  | Door of dishwasher not properly closed.      | Make sure to close the door properly and latch it.   |
| Water not pumped from dishwasher | Kink in drain hose                           | Check drain hose.  |
|                                  | Filter clogged.                              | Check the coarse filter. (see section titled "Internal Care")  |
|                                  | Kitchen sink clogged.                        | Check the kitchen sink to make sure it is draining well. If the problem is the kitchen sink that is not draining, you may need a plumber rather than a serviceman for dishwashers.   |
| Suds in the tub                  | Improper detergent                           | Use only the special dishwasher detergent to avoid suds. If this occurred, open the dishwasher and let suds evaporate. Add 1 gallon of cold water to the tub. Close and latch the dishwasher, then start any wash cycle to drain out the water. Repeat if necessary. |
|                                  | Spilled rinse-aid.                           | Always wipe up rinse-aid spills immediately.   |
| Stained tub interior             | Detergent with colourant may have been used. | Make sure that the detergent has no colourant.   |
| White film on inside surface     | Hard water minerals.                         | To clean the interior, use a damp sponge with dishwasher detergent and wear rubber gloves. Never use any other cleaner than dishwasher detergent for the risk of foaming or suds.  |

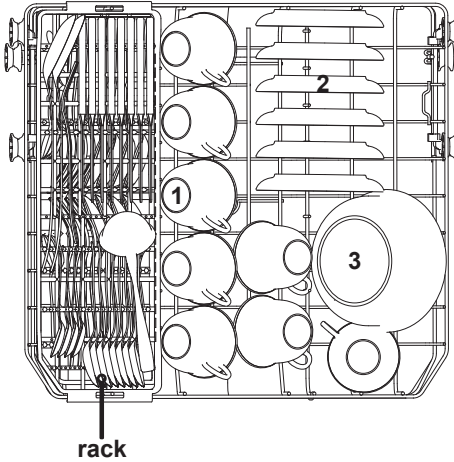


| <b>Problem</b>                     | <b>Possible Causes</b>  | <b>What To Do</b>   |
|------------------------------------|---|---|
| There are rust stains on cutlery   | The affected items are not corrosion resistant.   | Avoid washing items that are not corrosion resistant in the dishwasher.   |
|                                    | A program was not run after dishwasher salt was added. Traces of salt have gotten into the wash cycle.  | Always run the Quick 35 wash program. without any crockery in the dishwasher and without selecting the Turbo function (if present), after adding dishwasher salt. |
|                                    | The lid of the softer is loose.   | Check the lip. Ensure the fix is fine.  |
| Knocking noise in the wash cabinet | The spray arm is knocking against an item in a basket.  | Interrupt the program, and rearrange the items which are obstructing the spray arm.   |
| Rattling noise in the wash cabinet | Item of crockery are loose in the wash cabinet.   | Interrupt the program, and rearrange the items of crockery.   |
| Knocking noise in the water pipes  | This may be caused by on-site installation or the cross-section of the piping.  | This has no influence on the dishwasher function. If in doubt, contact a qualified plumber.   |
| The dishes are not clean           | The dishes were not loaded correctly.   | See PART II "Preparing And Loading Dishes".   |
|                                    | The program was not powerful enough.  | Select a more intensive program. See "Wash Cycle Table".  |
|                                    | Not enough detergent was dispensed.   | Use more detergent, or change your detergent.   |
|                                    | Item are blocking the path of spray arms.   | Rearrange the items so that the spray can rotate freely.  |
|                                    | The filter combination in the base of wash cabinet is not clean or is not correctly fitted. This may cause the spray arm jets to get blocked. | Clean and/or fit the filter correctly. Clean the spray arm jets.  |

| <b>Problem</b>                   | <b>Possible Causes</b>                            | <b>What To Do</b>  |
|----------------------------------|---|--|
| Cloudiness on glassware.         | Combination of soft water and too much detergent. | Use less detergent if you have soft water and select a shorter cycle to wash the glassware and to get them clean.  |
| Black or grey marks on dishes    | Aluminium utensils have rubbed against dishes     | Use a mild abrasive cleaner to eliminate those marks.  |
| Detergent left in dispenser cups | Dishes block detergent dispenser cups             | Re-loading the dishes properly.  |
| The dishes are not drying        | Improper loading                                  | Load the dishwasher as suggested in the directions.  |
|                                  | Dishes are removed too soon                       | Do not empty your dishwasher immediately after washing. Open the door slightly so that the steam can escape. Begin unloading the dishwasher only once the dishes are barely warm to the touch. Empty the low basket first. This prevents water from dropping off dishes in the upper basket. |
|                                  | Wrong program has been selected.                  | In short programs the washing temperature is lower. This also lowers cleaning performance. Choose a program with a long washing time.  |
|                                  | Use of cutlery with a low-quality coating.        | Water drainage is more difficult with these items. Cutlery or dishes of this type are not suitable for washing in the dishwasher.  |

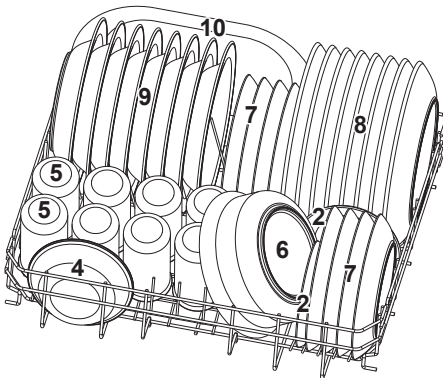
# LOADING THE BASKETS ACCORDING TO EN50242

## 1.Upper basket:



| Number | Item                |
|--------|---------------------|
| 1      | Cups                |
| 2      | Saucers             |
| 3      | Medium serving bowl |
| 4      | Small serving bowl  |
| 5      | Glasses             |

## 2.Lower basket:

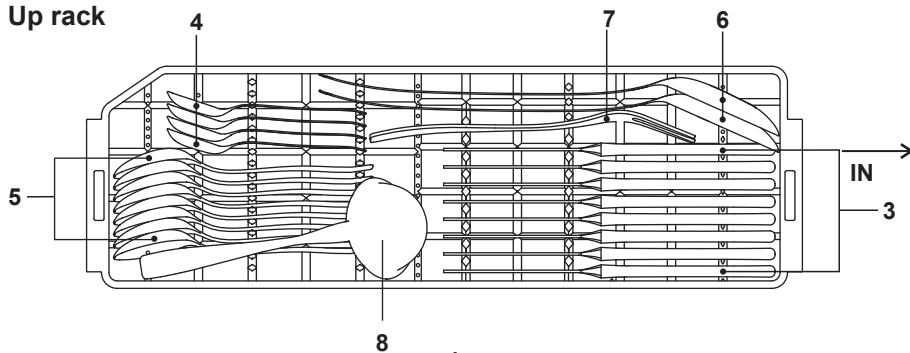


| Number | Item               |
|--------|--------------------|
| 6      | Large serving bowl |
| 7      | Dessert dishes     |
| 8      | Dinner plates      |
| 9      | Soup plates        |
| 10     | Oval platter       |

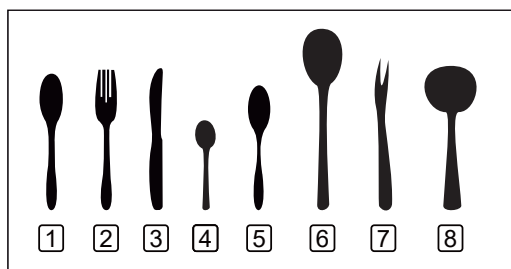
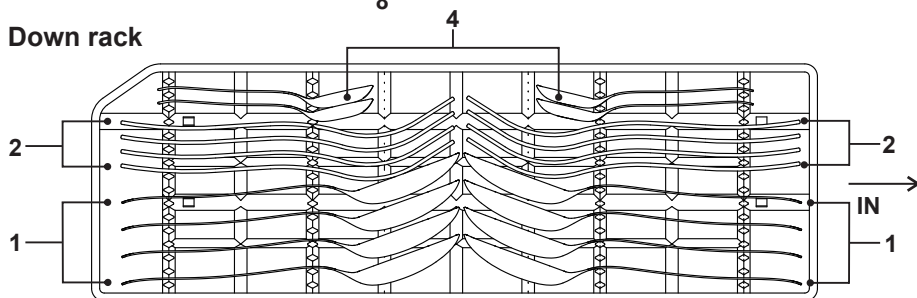
### 3. Cutlery rack:

**Note:** Please use light flat wares on the up rack. The total weight should be less than 2kg.

#### Up rack



#### Down rack



| Number | Item           |
|--------|----------------|
| 1      | Soup spoons    |
| 2      | Forks          |
| 3      | Knives         |
| 4      | Teaspoons      |
| 5      | Dessert spoons |
| 6      | Serving spoons |
| 7      | Serving forks  |
| 8      | Gravy ladles   |

Information for comparability

test in accordance with EN 50242

Capacity: 8 place settings

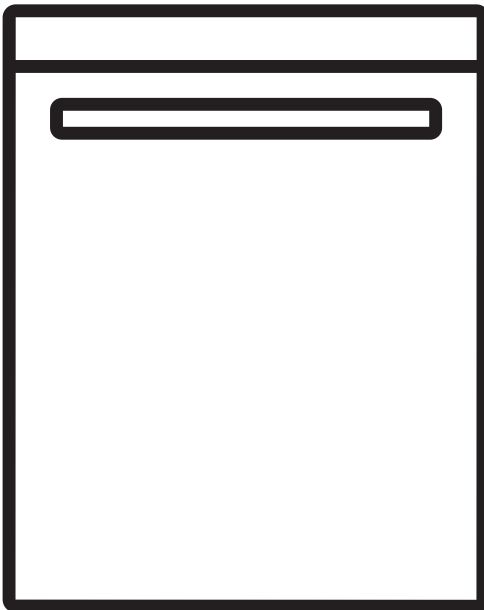
Position of the upper basket: lower position

Program: ECO

Rinse aid setting: 6

Softener setting: H4

HOW TO GET BEST OUT OF YOUR  
**GODREJ DISHWASHER**  
PART II : Special Version



This image is for representation purpose only.

Dishwasher  
**USER MANUAL**  
DWT EON MGNS 8C NF

# CONTENTS

|    |    |   |
|----|----|---|
| 01 | 3  | <b>QUICK USER GUIDE</b>                   |
|    | 4  | <b>USING YOUR DISHWASHER</b>              |
|    | 4  | Control Panel                             |
|    | 6  | Water Softener                            |
| 02 | 7  | Preparing And Loading Dishes              |
|    | 10 | Function Of The Rinse Aid And Detergent   |
|    | 11 | Filling The Rinse Aid Reservoir           |
|    | 12 | Filling The Detergent Dispenser           |
|    | 13 | <b>PROGRAMMING THE DISHWASHER</b>         |
|    | 13 | Wash Cycle Table                          |
| 03 | 14 | Starting A Wash Cycle                     |
|    | 14 | Changing The Program Mid-cycle            |
|    | 15 | Forget To Add A Dish?                     |
|    | 15 | End of Wash Cycle                         |
| 04 | 16 | <b>ERROR CODES</b>                        |
| 05 | 17 | <b>TECHNICAL INFORMATION</b>              |
| 06 | 18 | <b>PRODUCT SPECIFICATION</b>              |
| 07 | 19 | <b>BRANCH ADDRESSES / SERVICE CONNECT</b> |
| 08 | 20 | <b>WARRANTY DISHWASHERS</b>               |

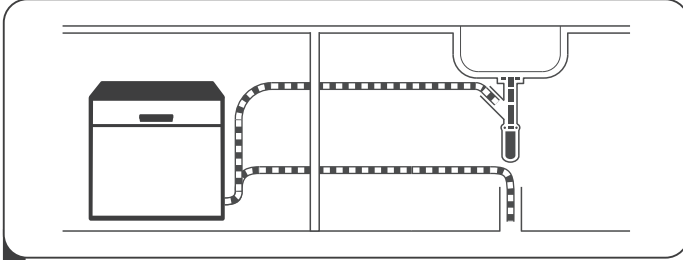


## **NOTE:**

- If you cannot solve the problems by yourself, please ask for help from a professional technician.
- The manufacturer, following a policy of constant development and updating of the product, may make modifications without giving prior notice.
- If lost or out-of-date, you can receive a new user manual from the manufacturer or responsible vendor.

# QUICK USER GUIDE

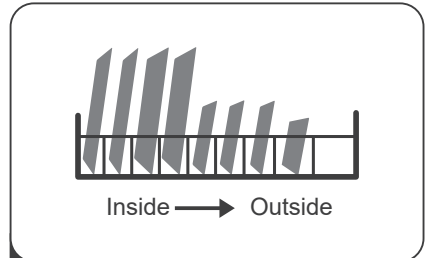
Please read the corresponding content on the instruction manual for detailed operating method.



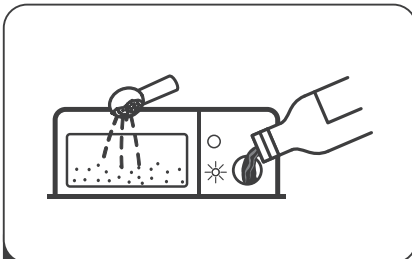
- 1 Install the dishwasher  
(Please check "INSTALLATION INSTRUCTION"  
of PART I: Generic Version.)



- 2 Removing the larger residue on the cutlery



- 3 Loading the baskets



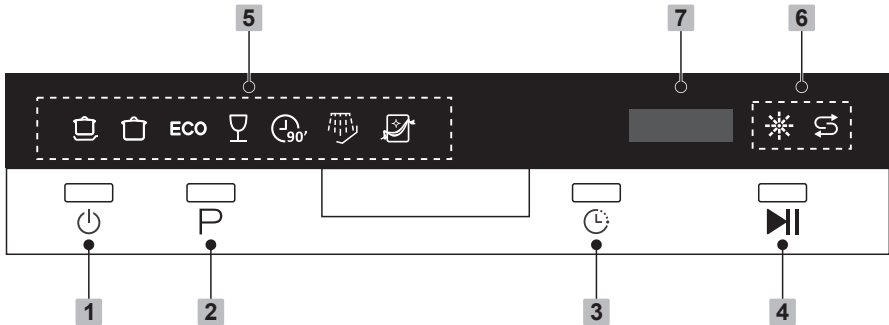
- 4 Filling the dispenser



- 5 Selecting a program and running the dishwasher

# USING YOUR DISHWASHER



## Control Panel









### Operation (Button)

|                        |  |
|------------------------|--|
| <b>1 Power</b>         | Press this button to turn on/off your dishwasher.  |
| <b>2 Program</b>       | Press this button to select the appropriate washing program, corresponding indicator will be lit.  |
| <b>3 Delay</b>         | Press the Delay button to increase the delay start time. Delay a cycle for up to 24 hours in one-hour increments. After setting the delay time, press the Start/Pause button to start. |
| <b>4 Start / Pause</b> | Press the button to start the selected washing program or pause the working program  |

### Display

|                            |  |
|----------------------------|--|
| <b>5 Program indicator</b> |  <b>Intensive 70</b><br>For heaviest soiled crockery, and normally soiled pots, pans, dishes etc. With dried-on food. |
|                            |  <b>Regular</b><br>For normally soiled loads, such as pots, plates, glasses and lightly soiled pans.                  |



|                                   |   |
|-----------------------------------|---|
| <p><b>5 Program indicator</b></p> | <p><b>ECO ECO WASH</b><br/>This is standard program, it is suitable to clean normally soiled tableware and it is the most efficient program in terms of its combined energy and water consumption for that type of tableware.</p> <p> <b>Delicates</b><br/>For lightly soiled crockery and glass.</p> <p> <b>Lite 90</b><br/>For normally soiled loads that need quick wash.</p> <p> <b>Quick 35</b><br/>A shorter wash for lightly soiled loads that do not need drying.</p> <p> <b>Self-Clean</b><br/>This program provides an effective cleaning of the dishwasher itself.</p> |
| <p><b>6 Warning indicator</b></p> | <p> <b>Rinse Aid</b><br/>If the "☼" indicator is lit, it means the dishwasher is low on dishwasher rinse aid and requires a refill.</p> <p> <b>Salt</b><br/>If the "☼" indicator is lit, it means the dishwasher is low on dishwasher salt and needs to be refilled.</p>  |
| <p><b>7 Display</b></p>           | <p>To show the reminding time, delay time, error code etc.</p>  |

# Water Softener

The water softener must be set manually, using the water hardness dial.

The water softener is designed to remove minerals and salts from the water, which would have a detrimental or adverse effect on the operation of the appliance.

The more minerals there are, the harder your water is.

The softener should be adjusted according to the hardness of the water in your area. Your local Water Authority can advise you on the hardness of the water in your area.

## Adjusting salt consumption

The dishwasher is designed to allow for adjustment in the amount of salt consumed based on the hardness of the water used. This is intended to optimise and customise the level of salt consumption.

Please follow the steps below for adjustment in salt consumption.

1. Switch on the appliance power;
2. Press the Program or Start/Pause button for more than 5 seconds to start the water softener set mode within 60 seconds after the appliance was switched on;
3. Press the Program or Start/Pause button to select the proper set according to your local environment, the sets will change in the following sequence: H1->H2->H3->H4->H5->H6;
4. Without any operation in five seconds, the machine will exit from set mode, the machine is into standby status.

| WATER HARDNESS    |                      | Setting on the water softener | Digital display stalls |
|-------------------|----------------------|-------------------------------|------------------------|
| °dH <sup>1)</sup> | Mmol/l <sup>2)</sup> |                               |                        |
| 0 - 5             | 0 - 0.9              | 1                             | H1                     |
| 6 - 11            | 1.0 - 2.0            | 2                             | H2                     |
| 12 - 17           | 2.1 - 3.0            | 3                             | H3                     |
| 18 - 22           | 3.1 - 4.0            | 4*                            | H4                     |
| 23 - 34           | 4.1 - 6.1            | 5                             | H5                     |
| 35 - 45           | 6.2 - 8.0            | 6                             | H6                     |

**1) German degree of measurement for the water hardness**

**2) millimol, international unit for water hardness**

**\*factory setting**



Please check the section "Loading The Salt Into The Softener" of PART I: Generic Version, if your dishwasher lacks salt.

## Preparing And Loading Dishes

---

- Consider buying utensils which are identified as dishwasher-proof.
- For particular items, select a program with the lowest possible temperature.
- To prevent damage, do not take glass and cutlery out of the dishwasher immediately after the program has ended.

### For washing the following cutlery/dishes

#### Unsuitable items for dishwashing:

- Cutlery and utensils made of wood.
- Delicate decorative glasses, craft and antique utensils. These utensils are not dishwasher-proof.
- Plastic parts not resistant to heat.
- Copper and tin utensils.
- Utensils which are soiled with ash, wax, lubricating grease or ink.
- Aluminum and silver parts have a tendency to discolor and fade during the wash cycle. Some types of glass (e.g. Crystal Glass Objects) may turn cloudy after many wash cycles.

#### Glass and utensils damage cause:

- Glass type and glass production process.
- Chemical composition of the detergent.
- Water temperature of the wash program.

#### Recommendation:

- Use only glasses and porcelain which the manufacturer designates as dishwasher-proof.
- Use a detergent which protects utensils.
- Take glass and cutlery out of the dishwasher as soon as possible after the program ends.

## Recommendations for loading the dishwasher

Scrape off any large amounts of leftover food. Soften remnants of burnt food in pans. It is not necessary to rinse the dishes under running water.

For best performance of the dishwasher, follow these loading guidelines.

**(Features and appearance of baskets and cutlery baskets may vary from your model.)**

Place objects in the dishwasher in following way:

- Items such as cups, glasses, pots/pans, etc. are faced downwards.
- Curved items, or ones with recesses, should be loaded aslant so that water can run off.
- All utensils are stacked securely and can not tip over.
- All utensils are placed in the way that the spray arms can rotate freely during washing.
- Load hollow items such as cups, glasses, pans etc. With the opening facing downwards so that water cannot collect in the container or a deep base.
- Dishes and items of cutlery must not lie inside one another, or cover each other.
- To avoid damage, glasses should not touch one another.
- The upper basket is designed to hold more delicate and lighter dishware such as glasses, coffee and tea cups.
- Long bladed knives stored in an upright position are a potential hazard!
- Long and / or sharp items of cutlery such as carving knives must be positioned horizontally in the upper basket.
- Please do not overload your dishwasher. This is important for good results and for reasonable consumption of energy.



### **NOTE:**

Very small items should not be washed in the dishwasher as they could easily fall out of the basket.

## Removing the dishes

To prevent water dripping from the upper basket into the lower basket, we recommend that you empty the lower basket first, followed by the upper basket.

### **▲ WARNING**



**Items will be hot! To prevent damage, do not take glass and cutlery out of the dishwasher for around 15 minutes after the program has ended.**

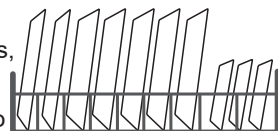
## Loading the upper basket

The upper basket is designed to hold more delicate and lighter dishware such as glasses, coffee and tea cups and saucers, as well as plates, small bowls and shallow pans (as long as they are not too dirty). Position the dishes and cookware so that they will not get moved by the spray of water.



## Loading the lower basket

We suggest that you place large items and the most difficult to clean items are to be placed into the lower basket: such as pots, pans, lids, serving dishes and bowls, as shown in the figure below. It is preferable to place serving dishes and lids on the side of the racks in order to avoid blocking the rotation of the top spray arm.



The maximum diameter advised for plates in front of the detergent dispenser is of 19 cm, this not to hamper the opening of it.

## Loading the cutlery rack

Cutlery should be placed in the cutlery rack separately from each other in the appropriate positions, and do make sure the utensils do not nest together, this may cause bad performance.

### **⚠ WARNING**



Do not let any item extend through the bottom.

Always load sharp utensils with the sharp point down!



For the best washing effect, please load the baskets refer to standard loading options on last section of PART I: **Generic Version**

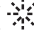
# Function Of The Rinse Aid And Detergent

The rinse aid is released during the final rinse to prevent water from forming droplets on your dishes, which can leave spots and streaks. It also improves drying by allowing water to roll off the dishes. Your dishwasher is designed to use liquid rinse aids.

## ⚠ WARNING

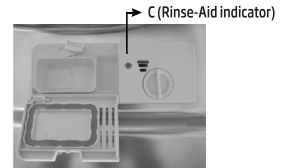
Only use branded rinse aid for dishwasher. Never fill the rinse aid dispenser with any other substances (e.g. Dishwasher cleaning agent, liquid detergent). This would damage the appliance.

## When to refill the rinse aid dispenser

Unless the rinse-aid warning light (  ) on the control panel is on, you can always estimate the amount from the color of the optical level indicator located next to the cap. When the rinse-aid container is full, the indicator will be fully dark. The size of the dark dot decreases as the rinse-aid diminishes. You should never let the rinse aid level be less than 1/4 full.

As the rinse aid diminishes, the size of the black dot on the rinse aid level indicator changes, as illustrated below.

● Full   ● 3/4 full   ● 1/2 full   ● 1/4 full   ○ Empty



## Function of detergent

The chemical ingredients that compose the detergent are necessary to remove, crush and dispense all dirt out of the dishwasher. Most of the commercial quality detergents are suitable for this purpose.

## ⚠ WARNING

### • Proper Use of Detergent

Use only detergent specifically made for dishwashers use. Keep your detergent fresh and dry.

Don't put powdered detergent into the dispenser until you are ready to wash dishes.

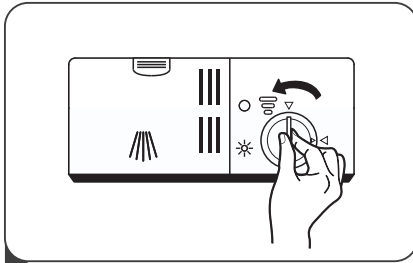


**Dishwasher detergent is corrosive! Keep dishwasher detergent out of the reach of children.**

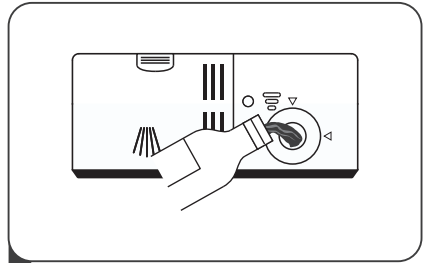
### Detergent Tablets

Detergent tablets of different brands dissolve at different speeds. For this reason some detergent tablets cannot dissolve their full cleaning short programs. Therefore please use long programs when using detergent tablets, to ensure the complete removal of detergent residuals.

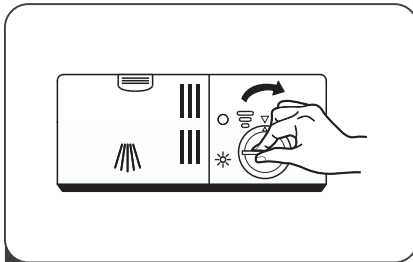
# Filling The Rinse Aid Reservoir



**1** Remove the rinse aid reservoir cap by rotating it counterclockwise.



**2** Carefully pour in the rinse aid into the dispenser, whilst avoiding it to overflow.

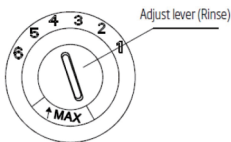


**3** Close the rinse aid reservoir cap by rotating it clockwise.

## **NOTE:**

Clean up any spilled rinse aid with an absorbent cloth to avoid excessive foaming during the next wash.

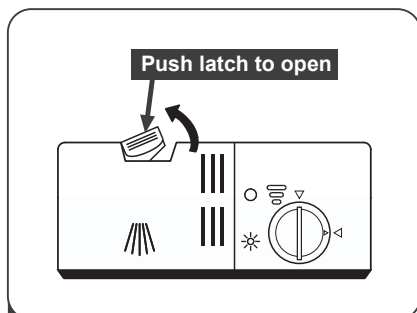
## Adjusting the rinse aid reservoir



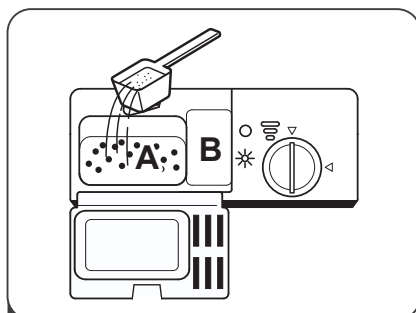
Remove the rinse aid reservoir cap. Turn the rinse aid indicator dial to a number. The higher the number, the more rinse aid the dishwasher uses.

If the dishes are not drying properly or are spotted, adjust the dial to the next higher number until your dishes are spot-free. Reduce it if there are sticky whitish stains on your dishes or a bluish film on glassware or knife blades. Factory setting is "4".

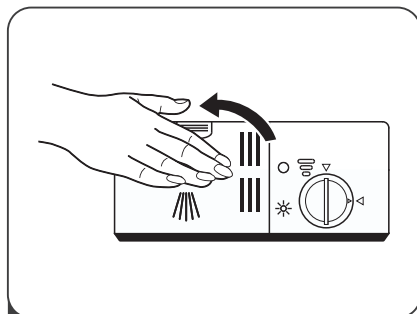
# Filling The Detergent Dispenser



**1** Press the release latch on the detergent dispenser to open the cover.



**2** Add detergent into the larger cavity (A) for main wash.  
For more heavily soiled wash loads, also add some detergent into the smaller cavity (B) for release during pre-wash.



**3** Close the cover and press on it until it locks into place.

## **NOTE:**

Please observe the manufacturer's recommendations on the detergent packaging.

The dispenser must be refilled before the start of each wash cycle. Generally, only one tablespoon of detergent is needed for a normal wash load. Also, more heavily soiled items need more detergent. Always add the detergent just before starting the dishwasher, otherwise it could get damp and will not dissolve properly.

### **Note:**

1. If the lid is closed: press release bottom. The lid springs open.
2. Always add the detergent just before starting each wash cycle.
3. Only use branded detergent aid for dishwasher.

Use only detergent specifically made for use in dishwashers. Keep your detergent fresh and dry.

Don't put powder detergent into the dispenser until you're ready to wash dishes.








# PROGRAMMING THE DISHWASHER

## Wash Cycle Table

The table below shows which programs are best for the levels of food residue on them and how much detergent is needed. It also show various information about the programs.

(●) Means: need to fill rinse into the Rinse-Aid Dispenser.

| Program  | Description Of Cycle | Detergent Pre/Main | Running Time(min) | Energy (Kwh) | Water (L) | Rinse Aid |
|--|----------------------|--------------------|-------------------|--------------|-----------|-----------|
| <br><b>Intensive 70</b> | Pre-wash(50°C)       |                    |                   |              |           |           |
|  | Wash(65°C)           |                    |                   |              |           |           |
|  | Rinse                | 4/20g              | 160               | 1.25         | 12.5      | ●         |
|  | Rinse                | (Or 1 Tablet)      |                   |              |           |           |
|  | Rinse(70°C)          |                    |                   |              |           |           |
| Drying   |                      |                    |                   |              |           |           |
|  |                      |                    |                   |              |           |           |
| <br><b>Regular</b>      | Pre-wash(45°C)       |                    |                   |              |           |           |
|  | Wash(60°C)           |                    |                   |              |           |           |
|  | Rinse                | 4/20g              | 150               | 1.05         | 12.5      | ●         |
|  | Rinse(68°C)          | (Or 1 Tablet)      |                   |              |           |           |
|  | Drying               |                    |                   |              |           |           |
|  |                      |                    |                   |              |           |           |
|  |                      |                    |                   |              |           |           |
| <b>ECO WASH</b><br>(*EN 50242)   | Pre-wash             |                    |                   |              |           |           |
|  | Wash(45°C)           | 4/20g              | 185               | 0.72         | 8         | ●         |
|  | Rinse(65°C)          | (Or 1 Tablet)      |                   |              |           |           |
|  | Drying               |                    |                   |              |           |           |
|  |                      |                    |                   |              |           |           |
|  |                      |                    |                   |              |           |           |
| <br><b>Delicates</b>  | Pre-wash             |                    |                   |              |           |           |
|  | Wash(45°C)           |                    |                   |              |           |           |
|  | Rinse                | 4/20g              | 95                | 0.7          | 10.5      | ●         |
|  | Rinse(60°C)          | (Or 1 Tablet)      |                   |              |           |           |
|  | Drying               |                    |                   |              |           |           |
|  |                      |                    |                   |              |           |           |
|  |                      |                    |                   |              |           |           |
| <br><b>Lite 90</b>    | Wash(55°C)           |                    |                   |              |           |           |
|  | Wash(65°C)           | 24g                | 90                | 1.15         | 11        | ●         |
|  | Rinse(68°C)          | (Or 1 Tablet)      |                   |              |           |           |
|  | Drying               |                    |                   |              |           |           |
|  |                      |                    |                   |              |           |           |
|  |                      |                    |                   |              |           |           |
| <br><b>Quick 35</b>   | Wash(45°C)           |                    |                   |              |           |           |
|  | Rinse                | 15g                | 35                | 0.52         | 7         | ○         |
|  | Rinse(55°C)          |                    |                   |              |           |           |
|  |                      |                    |                   |              |           |           |

| Program    | Description Of Cycle | Detergent Pre/Main   | Running Time(min) | Energy (Kwh) | Water (L) | Rinse Aid |
|------------|----------------------|----------------------|-------------------|--------------|-----------|-----------|
| Self-Clean | Wash(70°C)           | 18g<br>or (1 Tablet) | 50                | 0.8          | 7         | ●         |
|            | Rinse                |                      |                   |              |           |           |
|            | Rinse(65°C)          |                      |                   |              |           |           |
|            | Drying               |                      |                   |              |           |           |

## 💡 NOTE:

EN 50242: This program is the test cycle. The information for comparability test in accordance with EN 50242.

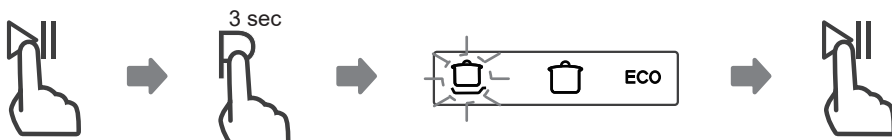
## Starting A Wash Cycle

1. Draw out the lower and upper basket, load the dishes and push them back. It is commended to load the lower basket first, then the upper one.
2. Pour in the detergent.
3. Insert the plug into the socket. The power supply refer to last page "Product Specification". Make sure that the water supply is turned on to full pressure.
4. Close the door, press the Power button, to switch on the machine.
5. Choose a program, the response light will turn on. Then press the Start/Pause button, the dishwasher will start its cycle.

## Changing The Program Mid-cycle

A wash cycle can only be changed if it has been running for a short time otherwise, the detergent may have already been released and the dishwasher may have already drained the wash water. If this is the case, the dishwasher needs to be reset and the detergent dispenser must be refilled. To reset the dishwasher, follow the instructions below:

1. Press the Start/Pause button to pause the washing.
2. Press Program button for more than 3 seconds - the program will cancel.
3. Press the Program button to select the desired program.
4. Press the Start/Pause button, after 10 seconds, the dishwasher will start.



## Forget To Add A Dish?

A forgotten dish can be added any time before the detergent dispenser opens.

If this is the case, follow the instructions below:

1. Press the **Start/Pause** button to pause the washing.
2. Wait 5 seconds then open the door.
3. Add the forgotten dishes.
4. Close the door.
5. Press the **Start/Pause** button after 10 seconds, the dishwasher will start.



### ⚠ WARNING



It is dangerous to open the door mid-cycle, as hot steam may scald you.

## End of Wash Cycle

When the working cycle has finished, the buzzer of dishwasher will sound 8 seconds, then stop. Turn off the appliance using the ON/OFF button, shut off the water supply and open the door of the dishwasher.

### Unloading the dishwasher:

1. Wait a few minutes before unloading the dishwasher to avoid handling the dishes and utensils while they are still not and more susceptible to breakage. They will also dry better.
2. Open the door carefully. Hot dishes are sensitive to knocks. The dishes should therefore be allowed to cool down around 15 minutes before removing from the appliance.
3. Open the dishwashers door, leave it ajar and wait a few minutes before removing the dishes. In this way they will be cooler and the drying will be improved.

### Note:

In case power goes off in middle of any cycle, on resumption of power the machine will start from initial phase of that cycle again.

## ERROR CODES

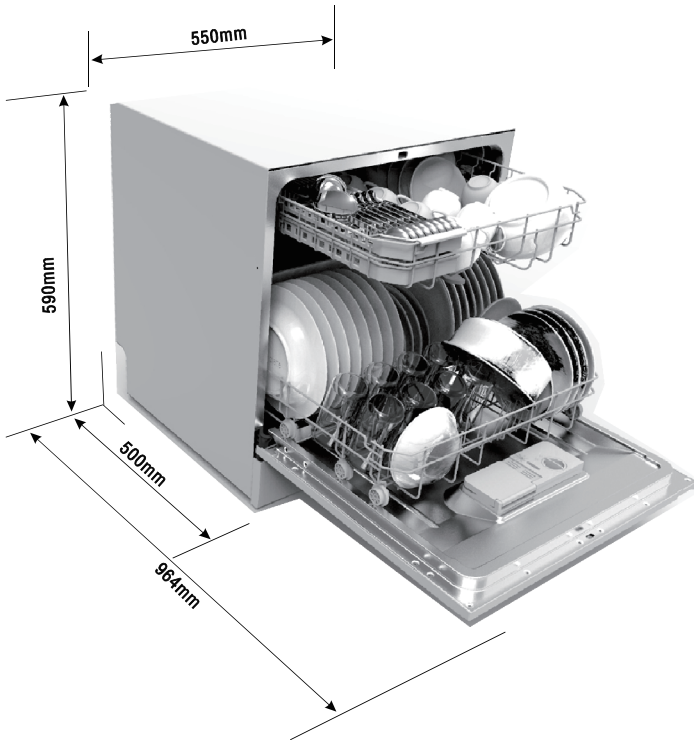
If there is a malfunction, the dishwasher will display error codes to identify these:

| Codes | Meanings  | Possible Causes   |
|-------|---|---|
| E1    | Longer inlet time.  | Faucets is not opened, or water intake is restricted, or water pressure is too low. |
| E3    | Not reaching required temperature.                          | Malfunction of heating element.   |
| E4    | Overflow.   | Some element of dishwasher leaks.   |
| E9    | Keep touching a button more than 30 seconds.                | Water or something the button.  |
| ED    | Failure of communication between main PCB with display pcb. | Open circuit or break wiring for the communication.                                 |

### **⚠ WARNING**

- If overflow occurs, turn off the main water supply before calling a service.
- If there is water in the base pan because of an overfill or small leak, the water should be removed before restarting the dishwasher.

# TECHNICAL INFORMATION



|                               |                  |
|-------------------------------|------------------|
| <b>Height (H)</b>             | 590mm            |
| <b>Width (W)</b>              | 550mm            |
| <b>Depth</b>                  | 500mm            |
| <b>Voltage connected load</b> | See rating label |
| <b>Water pressure</b>         | 0.04-1.0MPa      |
| <b>Power supply</b>           | See rating label |
| <b>Capacity</b>               | 8 Place settings |

# PRODUCT SPECIFICATION

|   |                        |
|---|------------------------|
| Manufacturer                                      | GODREJ                 |
| Type / Description                                | DWT EON MGNS 8C NF     |
| Standard place settings                           | 8                      |
| Energy efficiency class <b>①</b>                  | A+                     |
| Annual energy consumption <b>②</b>                | 205 kWh                |
| Energy consumption of the standard cleaning cycle | 0.72 kWh               |
| Power consumption of off-mode                     | 0.45 W                 |
| Power consumption of left-on mode                 | 0.49W                  |
| Annual water consumption <b>③</b>                 | 2240 liter             |
| Drying efficiency class <b>④</b>                  | A                      |
| Standard cleaning cycle <b>⑤</b>                  | ECO WASH               |
| Program duration of the standard cleaning cycle   | 185 min                |
| Noise level                                       | 49 dB(A) re 1 pW       |
| Mounting  | Free standing          |
| Power consumption                                 | 1380-1620 W            |
| Rated voltage / frequency                         | 220-240V/50Hz          |
| Water pressure (flow pressure)                    | 0.04-1.0MPa=0.4-10 bar |

## NOTE

- ①** A + + + (highest efficiency) to D (lowest efficiency)
- ②** Energy consumption based on 280 standard cleaning cycles using cold water fill and the consumption of the low power modes. Actual energy consumption will depend on how the appliance is used.
- ③** Water consumption based on 280 standard cleaning cycles. Actual water consumption will depend on how the appliance is used.
- ④** A (highest efficiency) to G (lowest efficiency)
- ⑤** This program is suitable for cleaning soiled normally soiled tableware and that it is the most efficient program in terms of its combined energy and water consumption for that type of tableware.
- ⑥** The above values have been measured in accordance with standards under specified operating conditions. Results may vary according to quantity and soil level of the dishes, water hardness, amount of detergent, etc.

## BRANCH ADDRESSES / SERVICE CONNECT

For any further assistance, please contact our nearest branch office or service centre:

| Branch              | Branch Addresses   | Service Connect  |
|---------------------|--|--|
| Ahmedabad           | 4 <sup>th</sup> Floor, APM Shopping Mall Near IOCL Petrol Pump, Shyamal-Karnavati 100 Ft. Road, Satellite, Ahmedabad - 380 015.                          | <p style="text-align: center;"><b>Call</b><br/> <b>• 1800-209-5511</b><br/> <b>(Toll-Free)</b></p> |
| Bangalore           | 3 <sup>rd</sup> Floor, The Karnataka Film Chamber of Commerce Bldg. 28, 1st Main, Crescent Road, High Grounds Nr. Shivanand Circle, Bangalore - 560 001. |  |
| Bhopal              | 217, Zone I, M.P. Nagar, Beh. Jyoti Talkies, Bhopal - 462 011.   |  |
| Bhubaneswar         | Highway Complex NH-5, Rudrapur, Bhubaneswar - 752 101.   |  |
| Chandigarh / Mohali | Plot No.A-40, Phase-VIII-A, Industrial Area, Mohali - 160059.  |  |
| Chennai             | No.1, Sidco Industrial Estate. Ambattur, Chennai - 600 098.  |  |
| Coimbatore          | 585-590, Sathya Towers 3 <sup>rd</sup> floor, D.B. Road R.S. Puram, Coimbatore - 641 002.  |  |
| Delhi               | Godrej Bhavan, 2 <sup>nd</sup> Floor, Shershah Suri Marg, Okhla, New Delhi - 110 065.  |  |
| Faridabad           | Godrej Bhavan, 2 <sup>nd</sup> Floor, Shershah Suri Marg, Okhla, New Delhi - 110 065.  |  |
| Ghaziabad           | Godrej Bhavan, 2 <sup>nd</sup> Floor, Shershah Suri Marg, Okhla, New Delhi - 110 065.  |  |
| Guwahati            | Godrej Building, G.S.Road, Ulubari, Flyover, Guwahati - 781 007.   |  |
| Hyderabad           | 201 & 202, Lala-1 Land Mark, 5-4-94 to 97, 2nd Floor, Above Digital Shoppo, Ranigunj, M.G. Road, Secunderabad - 500 003.                                 |  |
| Jaipur              | 502-506, 5 <sup>th</sup> Floor, Gaurav Towers, Malviya Nagar, Jaipur-302 017.  |  |
| Kochi               | 2 <sup>nd</sup> Floor, Angels' Arcade South Kalamassery, Near CUSAT Signal Ernakulam - 682022.   |  |
| Kolkata             | Block GN, Sector V, Salt lake, Kolkata - 700 091.  |  |
| Lucknow             | C 3/3 & C3/4, Sanjay Complex Behind Akashwani Bhawan, Vidhan Sabha Marg Lucknow - 226001.  |  |
| Mumbai              | Appliance Divn., Plant 4, Pirojshanagar, Vikhroli, Mumbai - 400079.  |  |
| Nagpur              | Dr. Bhiwapurkar Chamber 2nd Floor, Opp: Yashwant Stadium Dhantoli, Nagpur - 440012.  |  |
| Patna               | Jeevan Deep Bldg. Exhibition Road, Patna - 800 001.  |  |
| Pune                | Apollo Building Square, Plot No.60, Survey No.599 Sahaney Sujan Park, Lullanagar, Bibewadi Road, Pune - 411 040.   |  |
| Raipur              | 9/1, Besides Bharat Petrol Pump Opp: Hotel Picadelly, Mahoba Bazaar, GE Road, Raipur - 492001.   |  |
| Ranchi              | C/o. Surya Motors, Near Krishi Bazaar Samiti Pandra, Ranchi (Jharkhand) - 835 222.   |  |

Website: [www.godrejsmartcare.com](http://www.godrejsmartcare.com) & [www.godrejappliances.com](http://www.godrejappliances.com)  
E-mail: [smartcare@godrej.com](mailto:smartcare@godrej.com) SMS: <godrej> <space><care> to 53636

## WARRANTY DISHWASHERS

The Godrej Eon Dishwasher comes with 2 years comprehensive warranty on from the date of purchase, against defective material or workmanship. In case of any such defect, Godrej & Boyce Mfg. Co. Ltd. - Appliance Division undertakes to get the appliance repaired free of charge during warranty period, subject to terms and conditions below.

### INSTRUCTIONS FOR THE CUSTOMER

1. Kindly ensure that the dealer fills the warranty card correctly and completely.
2. You should retain the warranty card for record and produce the same in the event of any warranty repairs.
3. In the event of a defect developing in the product, contact the nearest authorised Godrej & Boyce Service Centre for obtaining warranty service and provide the defect, Model details & Serial No.
4. Product will function between +/- 5% of rated volts. For any fluctuation beyond specified limit, company shall not be responsible. In turn, warranty stands terminated.
5. Earthing provision is necessary for the safety.
6. Frequency must be between 5% variation of 50Hz. Beyond this, company shall not be liable for any unforeseen hazards like fire, shock etc. & in turn, warranty stands terminated.
7. Appliance or any part thereof is subjected to neglect, abuse or misuse, tampering, alteration, accident, fire, floods or other act of God, or damage by rodents or insects, the COMPANY is not responsible for any damage caused to the appliances & shall not be liable for any consequential loss or compensation, not refund of purchase price or replacement of the appliances.
8. In event of repair/replacement of any part/s of the unit, this warranty will thereafter continue and remain in force only for the unexpired period of warranty. Moreover, the time taken for repair/ replacement and in transit whether under the warranty or otherwise shall not be excluded from the warranty period.
9. The pressure supplied by the tap should be a minimum of 0.04 Mpa and a maximum of 1 MPa, If the pressure exceeds 1 MPa, a pressure relief valve must be fitted between the connection.
10. Any damage/defect arising due to entry of foreign particle into the machine that causes malfunctioning is not covered under warranty. These calls will be chargeable to customer during warranty period.
11. House wiring related issues are not covered under warranty and such calls will be chargeable to customer.
12. Defect/Damage due to rust (internal & external components) is not covered under warranty.
13. Extended warranty is not applicable for any part of the machine.

### TERMS AND CONDITIONS

1. Repairs and replacement of parts will be carried out through the Authorised Customer Service Centre.
2. All transportation and handling expenses incurred while repairing will be payable by the customer.
3. For appliances installed beyond the municipal limits of the jurisdiction of the authorised service centre, charges towards technician's visit and other incidentals will be borne by the customer.
4. While the company will make every effort to carry out the repairs at the earliest, it however is made expressly clear that the company is under no obligation to do so in a specified period of time.
5. The company/ its authorised service centre will collect any parts, components replaced.
6. Warranty does not cover accessories to the appliance.
7. The Company's obligation under this warranty shall be limited to repair or providing replacement of part/s only.
8. In the event of any unforeseen circumstances, and spares not being available, the company's prevailing depreciation rules will be binding on the purchaser to accept as a commercial solution in lieu of repairs.
9. Warranty is not applicable in case the original number (serial no. sticker) is removed, obliterated or altered from the machine or cabinet.

## Godrej & Boyce Mfg. Co. Ltd.- Appliance Division CUSTOMER COPY

MODEL NO.  
UNIT SR. NO.

DATE OF PURCHASE

CUSTOMER'S NAME & ADDRESS

\_\_\_\_\_  
\_\_\_\_\_  
\_\_\_\_\_

TEL. \_\_\_\_\_

DEALER'S NAME & ADDRESS

\_\_\_\_\_  
\_\_\_\_\_  
\_\_\_\_\_

TEL. \_\_\_\_\_

### Customer's Signature:

**This warranty is valid only if it is filled in and stamped by our authorised dealer stating the date of purchase.**

**Warranty Voids If:** 1. The warranty card is not completed properly at the time of purchase. 2. The completed warranty card is not presented to the authorised personnel at the time of service of the product. 3. The appliance is not operated according to instructions given in the 'User Guide'. 4. Defects are caused by improper use, which shall be determined by the company's authorised personnel. 5. Unauthorised persons carry out any repair work. 6. Defects are caused by reasons beyond control, like abnormal voltage, acts of God or while in transit to service centre or purchaser's residence. 7. The warranty is not valid in case the serial number is deleted, defaced or altered. 8. Damage to the appliance or any parts due to transportation or shifting is not covered by the warranty.









**Protection of Environment:**

"Protection of environment" is one of the core values of Godrej and we seek your co-operation to make sure that the product, packaging and plastic material is not disposed as unsorted municipal waste.



This symbol is known as the "Crossed-out Wheellie Bin Symbol". It means that the product should not be disposed of with your general house-hold waste.

It should be disposed of only through the company's collection points with special treatment so as to prevent any damage to the environment. Please call: **1800 209 5511** for applicable buy back arrangement or visit: [www.godrejappliances.com/green-think](http://www.godrejappliances.com/green-think) for details about Godrej Appliances authorised collection points.

*Godrej* | APPLIANCES