

*Godrej* | LOCKS

THINK SAFETY, THINK GODREJ.

**INTRODUCING**  
**THE WORLD'S FIRST**  
**DUAL MOTION LOCK.**



**PRESENTING**

**CENTAUR**

With dual motion technology

# CENTAUR

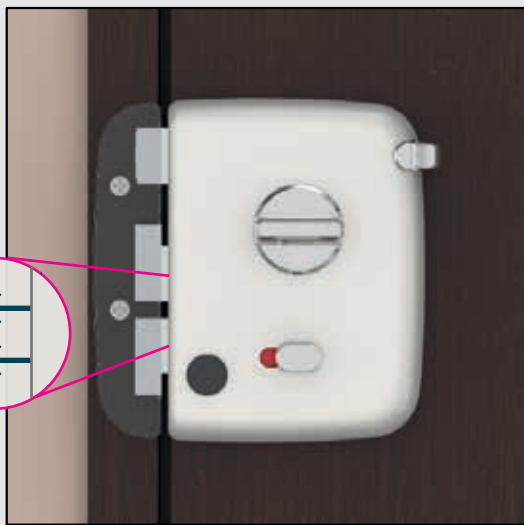
With dual motion technology

The all-new Centaur lock from Godrej Locks is a world's first of its kind innovation in safety technology. It comes with a unique dual-motion technology that combines horizontal movement with vertical locking.

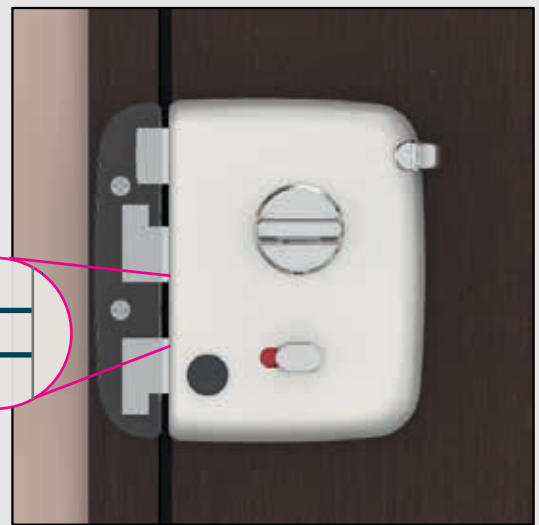
This double motion ensures 2X the safety, as the Centaur lock effectively does the job of two locks.



## THE WORLD-FIRST DUAL MOTION TECHNOLOGY.



**Horizontal movement.**



**Vertical locking.**

**THE RESULT: 2X THE SAFETY OF ANY OTHER LOCK.**



**CROWBAR PROOF:**

The dual motion technology ensures the Centaur lock is crowbar-proof.



**EASY-TO-USE LATCH PULLER PREVENTS ACCIDENTAL LOCKING:**

The ergonomic latch mechanism is easy to operate and prevents accidental locking.



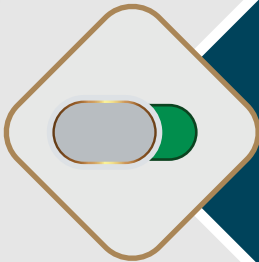
**20 TIMES MORE SAFE:**

Provides 20X more safety by preventing easy key duplication.



**INNOVATIVE DESIGN:**

Designed by best in class Industrial designers with superior aesthetics.



**THE PRIVACY KNOB PROTECTS YOUR PRIVACY FROM THE INSIDE:**

Ensures it cannot be opened from the outside, thus protecting your privacy.

## AVAILABLE IN THREE ATTRACTIVE FINISHES:



<b>FINISH</b> Satin Nickel	
<b>PRODUCT CODE</b> 2550 Centaur 1CK Latchbolt	<b>MRP (₹)</b> 7229
2551 Centaur 1CK Deadbolt	6949
2552 Centaur 2C Deadbolt	7489

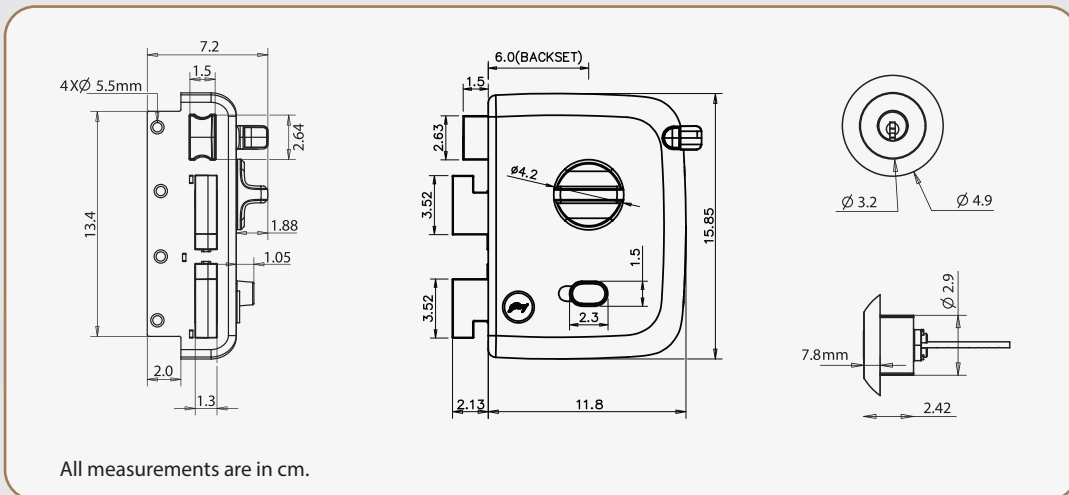


<b>FINISH</b> Antique Brass	
<b>PRODUCT CODE</b> 2553 Centaur 1CK Latchbolt	<b>MRP (₹)</b> 7289
2554 Centaur 1CK Deadbolt	6999
2555 Centaur 2C Deadbolt	7549



<b>FINISH</b> Antique Copper	
<b>PRODUCT CODE</b> 3556 Centaur 1CK Latchbolt	<b>MRP (₹)</b> 7369
3557 Centaur 1CK Deadbolt	7079
3558 Centaur 2C Deadbolt	7629

## LINE DIAGRAM:



### Godrej & Boyce Mfg. Co. Ltd.

Godrej Locks & Architectural Fittings and Systems Division,  
Plant 18 A, Pirojshanagar, Vikhroli (E), Mumbai - 400 079. India

Tel: +91-22-6796 4890 | Toll Free No.: 1800 209 5511

Website: [www.godrej.com](http://www.godrej.com) | Email: [locksmkt@godrej.com](mailto:locksmkt@godrej.com)

📍 GodrejLocks | 📷 godrejlocks | 🐦 GodrejLocksS