



**ARCHITECTURAL FITTINGS
AND SYSTEMS**

SMART ENGINEERING FOR MODERN LIVING.



**THE FINEST, MOST DURABLE ANSWERS FOR
YOUR ARCHITECTURAL HARDWARE NEEDS.**



SMART ENGINEERING FOR MODERN LIVING.

We co-create our reality
with others in unseen ways.

- *Doug Dillon*

You are the creator of your own perceived reality.
Don't be a creation of circumstances,
always take full control of your destiny.

- *Steven Redhead*

index

Foreword	04
About Us	06
Patch Fittings	09
Shower Fittings	27
Sliding System	47
Floor Springs	53
Balustrades	61
Spider Fittings	71
Door Closers	88
Automatic Doors	97
Panic Bars	103
Furniture Fittings	109
Door Control Devices	129
Basic Terminologies	131
Standards & Approvals	132

Foreword

Technology is an integral part of our lives today. A part that is constantly evolving as new innovations come in and change our lives for the better. We always seek the new – availing the benefits of technology to add more convenience, more security, more comfort to our lives.

At Godrej Locking Solutions and Systems, we keep a finger on the pulse of our customers. Inspired by their needs, we seek to blend innovation and technology, to offer solutions that perfectly match their needs. This has been our philosophy for the past 125 years, during which we've built a bond of trust, as well as a reputation for quality, technology and aesthetics, with our customers.

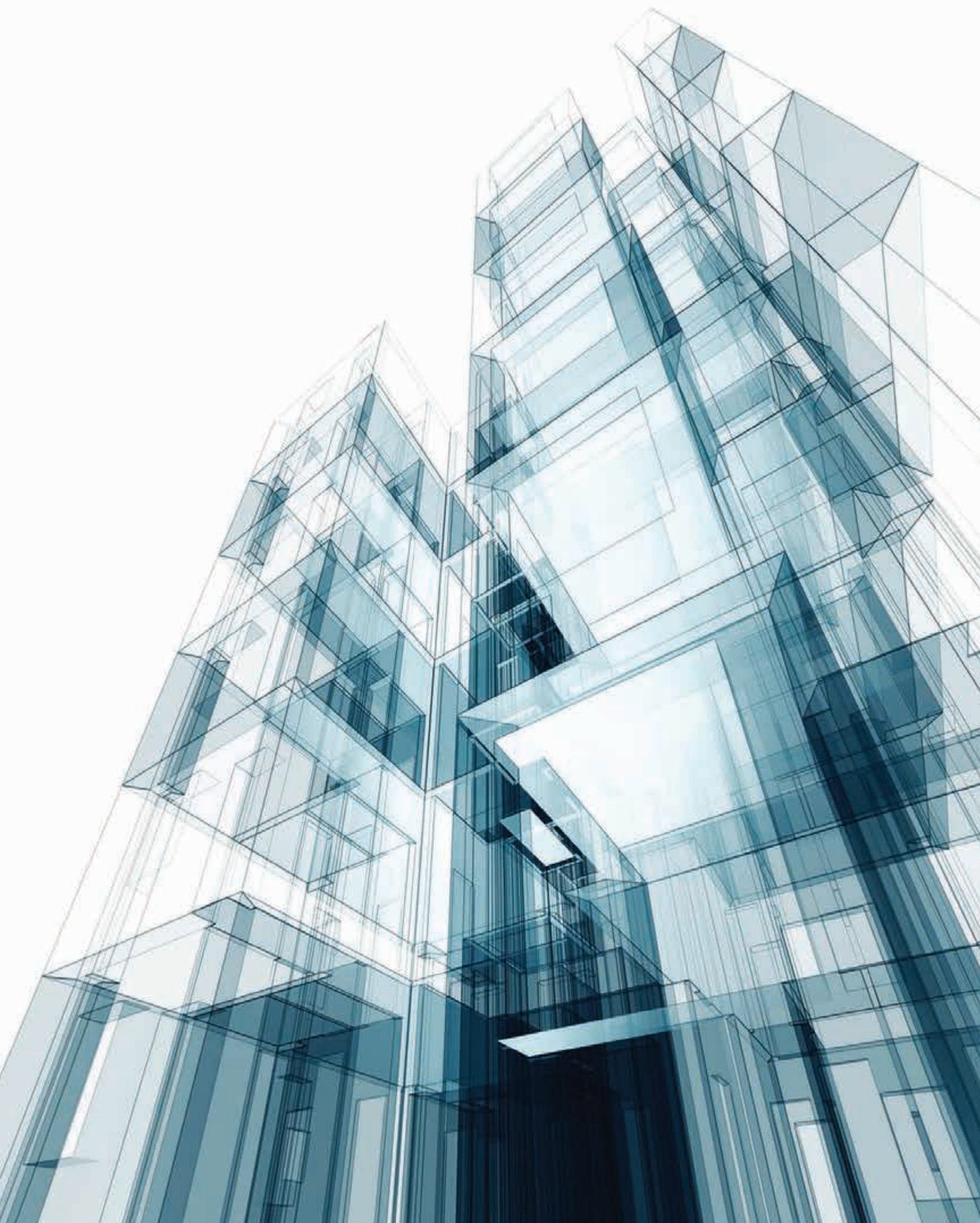
Today, we are seeing rapid advancement in the field of infrastructural development. Due to which, there is a growing need for quality architectural hardware and door controls. To meet this, Godrej Locking Solutions and Systems has launched world-class products, the result of in-depth research, innovation and state-of-the-art technology.

Our range has been designed to fit perfectly into today's hi-tech residential and commercial establishments. The creativity of our team comes to the fore, as our products cater to your needs for security, privacy, fire & smoke checks and energy saving with ease. Our devices meet international quality standards like UL Rating, EN Rating, CE Certification and fire-rated. This brochure will give you comprehensive details on our architectural hardware range.

Going forward, we will continue to innovate premium, comprehensive hardware solutions. For us, perfection will always lie in the details, and our solutions will remain extremely secure and robust, easy to install and operate, and flexible to meet the challenges of diverse applications.

Today, we are recognised across the globe for our world-class locking solutions. With our architectural hardware range, we aim to strengthen our reputation of being an organisation dedicated to blending innovation and technology – and creating a better, safer future.

Shyam Motwani
Executive Vice President & Business Head
Godrej Locking Solutions and Systems



About Us

Godrej Architectural Fittings and Systems is part of the Godrej Group, one of India's leading organisations.

Godrej was the vision of a man with big dreams – Ardeshir Godrej – who started a small company manufacturing locks in 1897. Today, this company has grown to become a household name across India, touching lives in every corner of the country. It has expanded to become a multi-million dollar conglomerate with well-established brands in diverse industries.

From locks, household appliances, furniture and food to real estate, hi-tech engineering, security and personal care, Godrej's relentless pursuit of excellence has enriched lives across the globe.

Staying true to its core values of fairness, transparency and ethical dealing, the Group has built a strong network of over 50 company-owned retail stores, more than 2,200 wholesale dealers and over 18,000 retail outlets.

Godrej Architectural Fittings and Systems follows the same tradition of excellence, and is well-known for its constant innovation blended with cutting edge technology. We offer a comprehensive range of choices in design and strengths of security, to anticipate every need for safety faced by contemporary homes and businesses.







- ● Patch Fittings

Top Patch

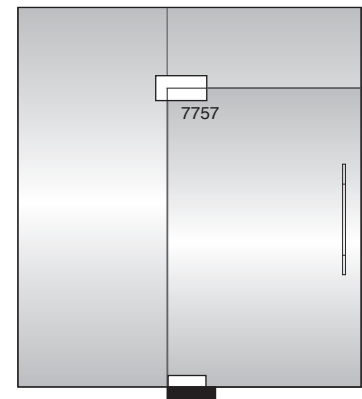
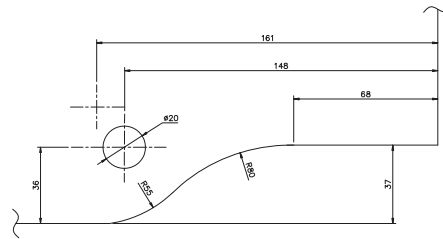
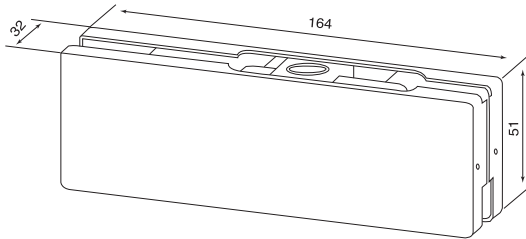


Product code **7757**

UNSPSC Code **40141799SD00056**

Features

- SS 304 cover for high corrosion resistance
- Spring loaded push pins for easy installation and for firm fitting
- Adjustable pivot point of 60 or 65 mm
- Needle bearing in the pivot point for consistent, long lasting and smooth motion
- Pivot hole diameter of 15 mm
- Gaskets provided to accommodate glass from 8-12 mm thickness and avoid glass damage



Bottom Patch

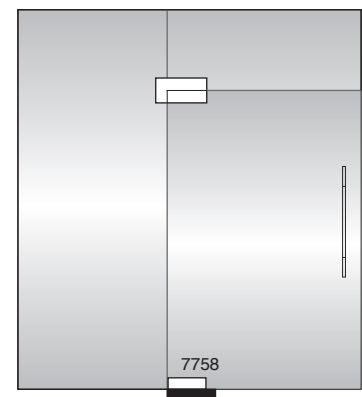
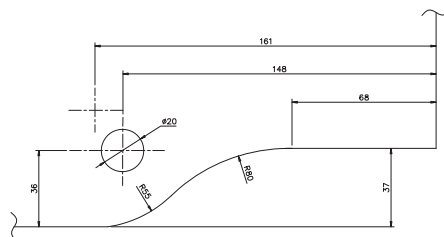
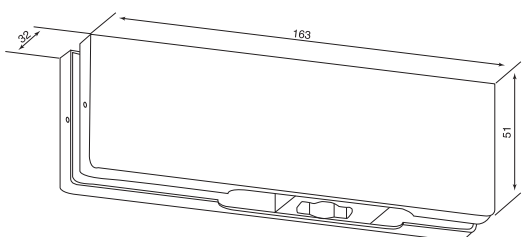


Product code **7758**

UNSPSC code **40141799SD00055**

Features

- SS 304 cover for high corrosion resistance
- Spring loaded push pins for easy installation and for firm fitting
- Nickel plated pivot hole for long life
- Universal pivot hole dimensions for easy fitment with floor springs
- Gaskets provided to accommodate glass from 8-12 mm thickness and avoid glass damage



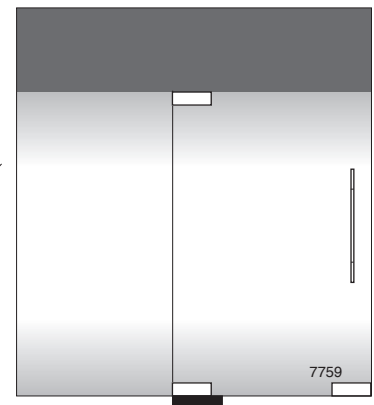
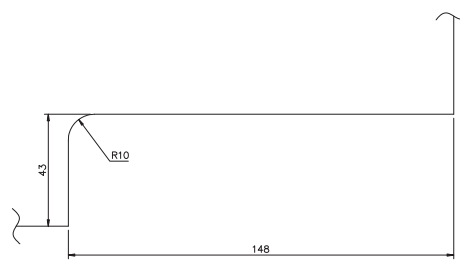
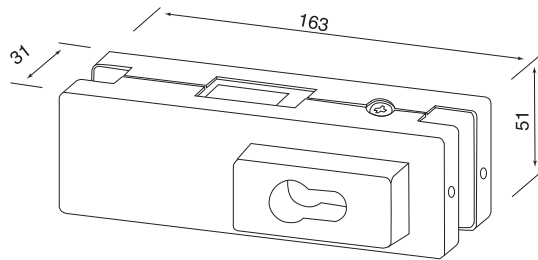
Bottom Lock Patch

Product code	7759
UNSPSC code	40141799SD00054



Features

- SS 304 cover for high corrosion resistance
- Spring loaded push pins for easy installation and for firm fitting
- Gaskets provided to accommodate glass from 8-12 mm thickness and avoid glass damage
- Compatible with Godrej Level 3, 4 high security cylinders
- Bolt throw of 15 mm
- Master key facility (optional)



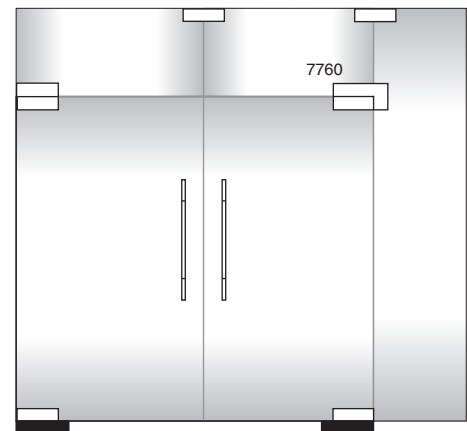
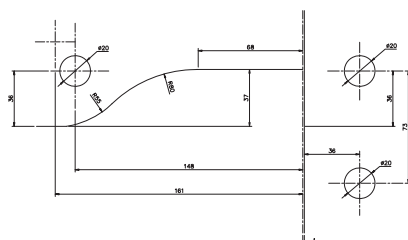
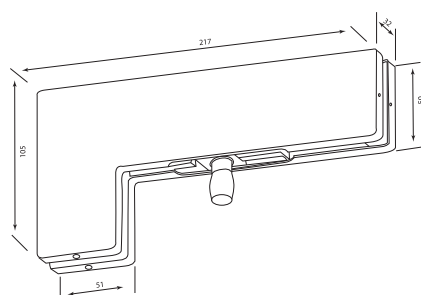
L-Arm Patch with Pivot

Product code	7760
UNSPSC code	40141799SD00053



Features

- SS 304 cover for high corrosion resistance
- Spring loaded push pins for easy installation and for firm fitting
- Pivot zinc plated for long life
- Adjustable pivot of 65 or 70 mm
- Pivot diameter of 15 mm
- Gaskets provided to accommodate glass from 8-12 mm thickness and avoid glass damage



Over Panel Patch with Pivot

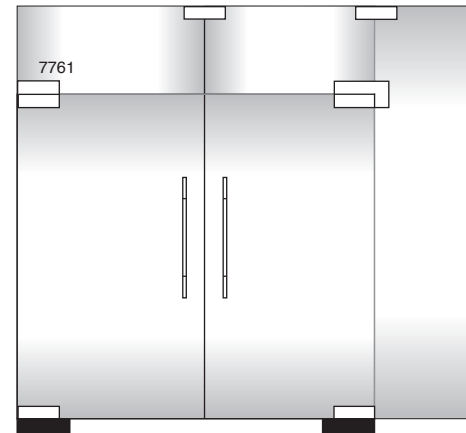
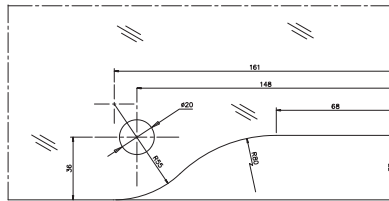
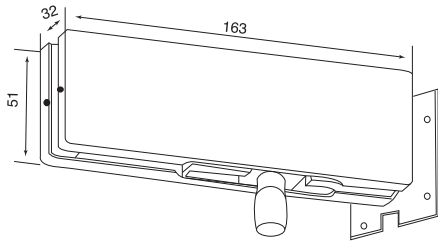
Product code **7761**

UNSPSC code **40141799SD00063**



Features

- SS 304 cover for high corrosion resistance
- Spring loaded push pins for easy installation and for firm fitting
- Adjustable pivot of 60 to 65 mm
- Pivot zinc plated for long life
- Pivot diameter of 15 mm
- Gaskets provided to accommodate glass from 8-12 mm thickness and avoid glass damage



Top Patch with Pivot

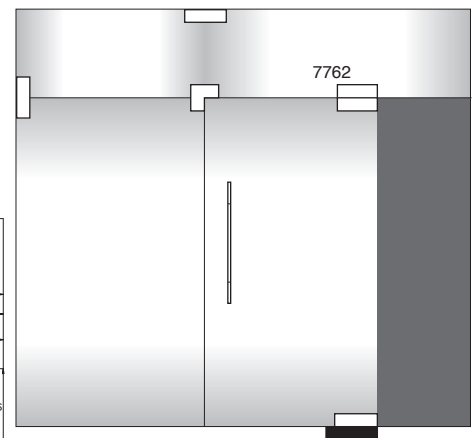
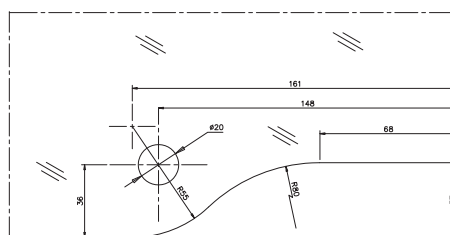
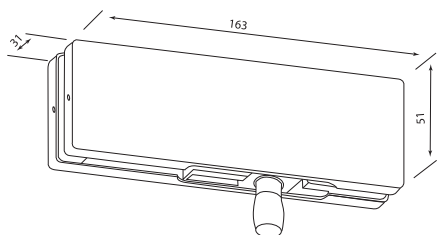
Product code **7762**

UNSPSC code **40141799SD00062**



Features

- SS 304 cover for high corrosion resistance
- Spring loaded push pins for easy installation and for firm fitting
- Pivot zinc plated for long life
- Adjustable pivot of 60 to 65 mm
- Pivot diameter of 15 mm
- Gaskets provided to accommodate glass from 8-12 mm thickness and avoid glass damage



L-Connect Patch

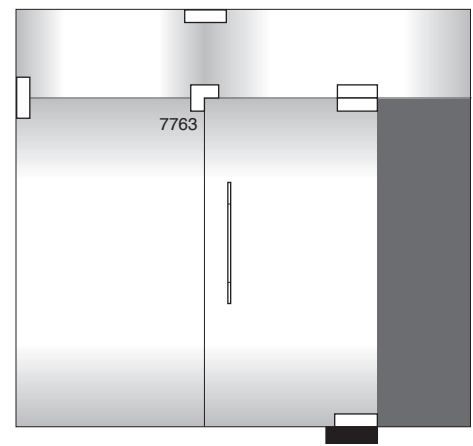
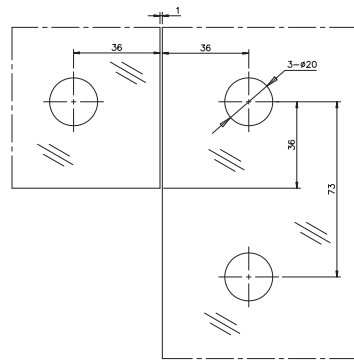
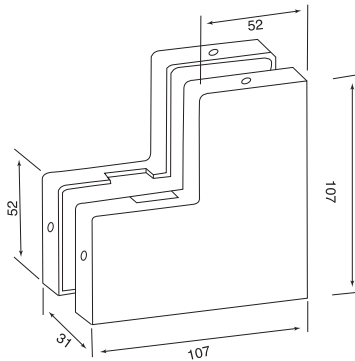
Product code **7763**

UNSPSC code **40141799SD00064**



Features

- SS 304 cover for high corrosion resistance
- Spring loaded push pins for easy installation and for firm fitting
- Gaskets provided to accommodate glass from 8-12 mm thickness and avoid glass damage



Side Lock Patch

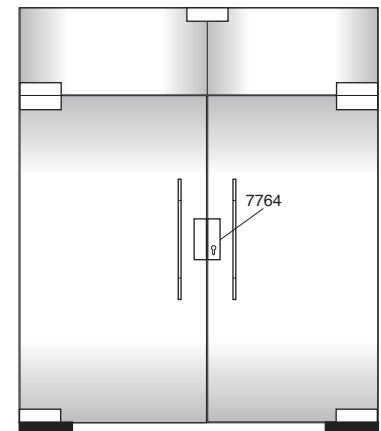
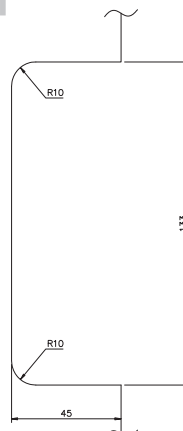
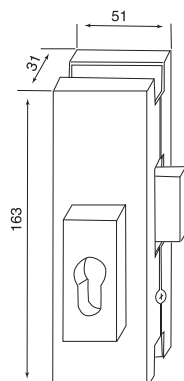
Product code **7764**

UNSPSC code **40141799SD00096**

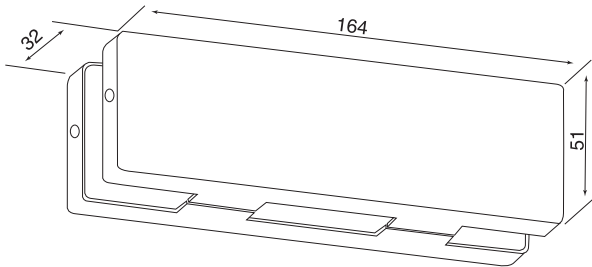


Features

- SS 304 cover for high corrosion resistance
- Spring loaded push pins for easy installation and for firm fitting
- Gaskets provided to accommodate glass from 8-12 mm thickness and avoid glass damage
- Compatible with Godrej Level 3, 4 high security cylinders
- Bolt throw of 15 mm



Side Lock Adaptor

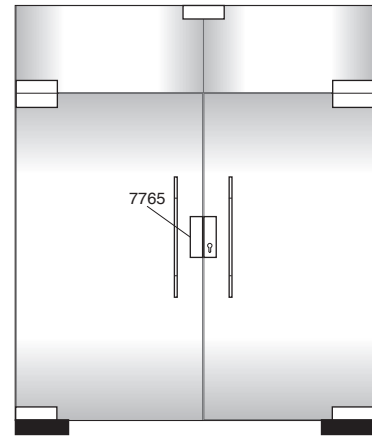
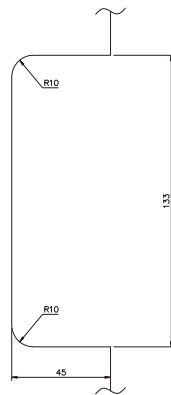


Product code **7765**

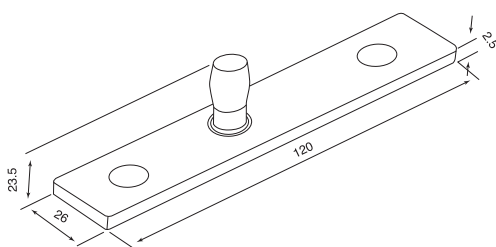
UNSPSC code **40141799SD00097**

Features

- SS 304 cover for high corrosion resistance
- Spring loaded push pins for easy installation and for firm fitting
- Gaskets provided to accommodate glass from 8-12 mm thickness and avoid glass damage



Pivot Plate

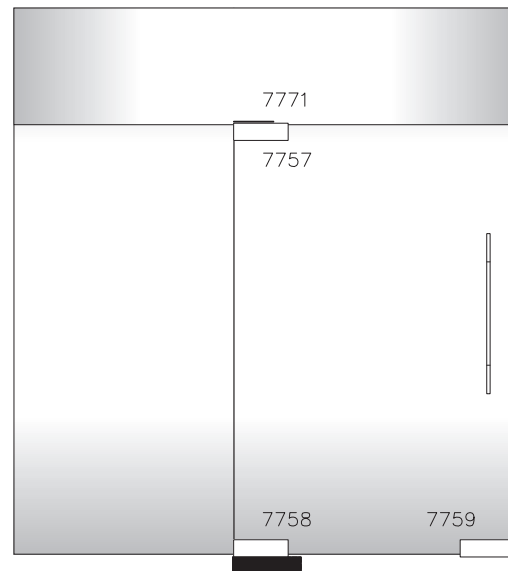


Product code **7771**

UNSPSC code **40141799SD00058**

Features

- SS 304 Pivot Plate for durability and high corrosion resistance
- Universal design
- Most suitable with Godrej Top Patch (PC: 7757)



Square Connect Patch

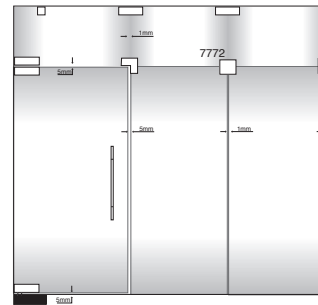
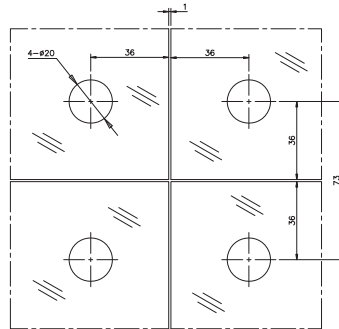
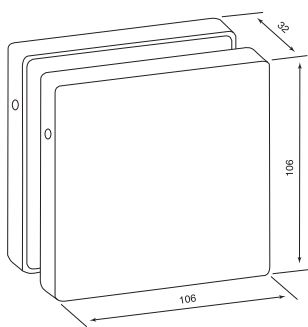
Product code **7772**

UNSPSC code **40141799SD00102**



Features

- To connect four numbers of fixed glass together
- Spring loaded pins for easy installation and for firm fitting
- SS 304 cover for high corrosion resistance
- Gaskets provided to accommodate glass from 8-12 mm thickness and avoid glass damage



Connector Patch GCP 640

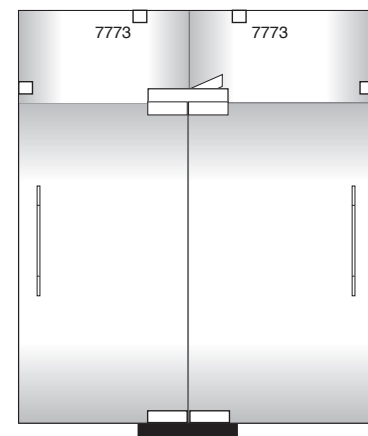
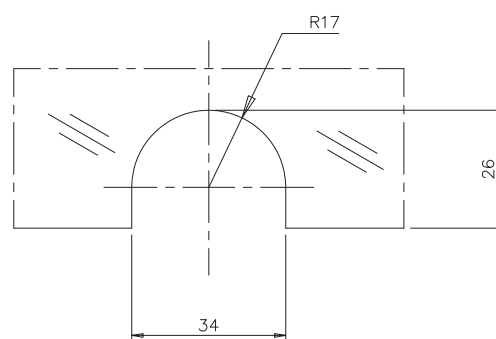
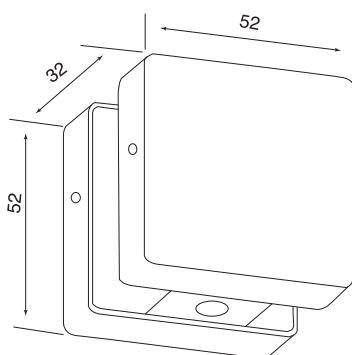
Product code **7773**

UNSPSC code **40141799SD00065**



Features

- Fix glass with wall, ceiling or floor
- Spring loaded pins for easy installation and for firm fitting
- SS 304 cover for high corrosion resistance
- Gaskets provided to accommodate glass from 8-12 mm thickness and avoid glass damage



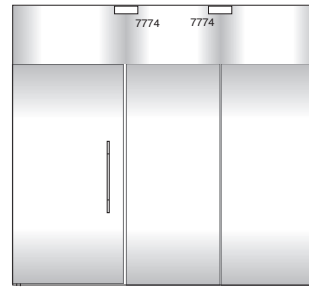
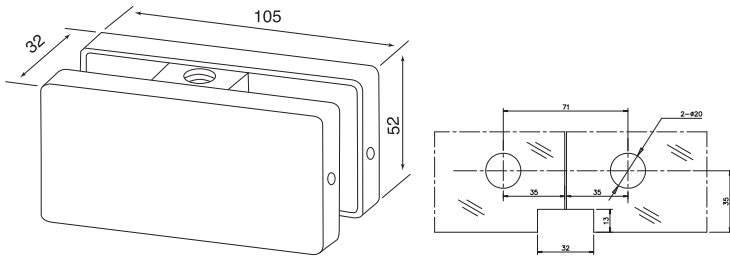
Side Connector Patch

Product code **7774**
 UNSPSC code **40141799SD00066**



Features

- Fix two numbers of glass together with wall, ceiling or floor
- Spring loaded pins for easy installation and for firm fitting
- SS 304 cover for high corrosion resistance
- Gaskets provided to accommodate glass from 8-12 mm thickness and avoid glass damage



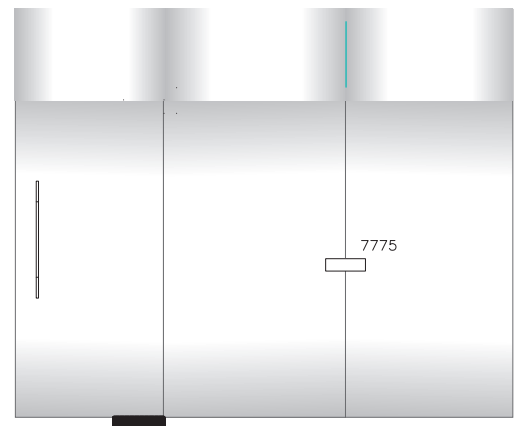
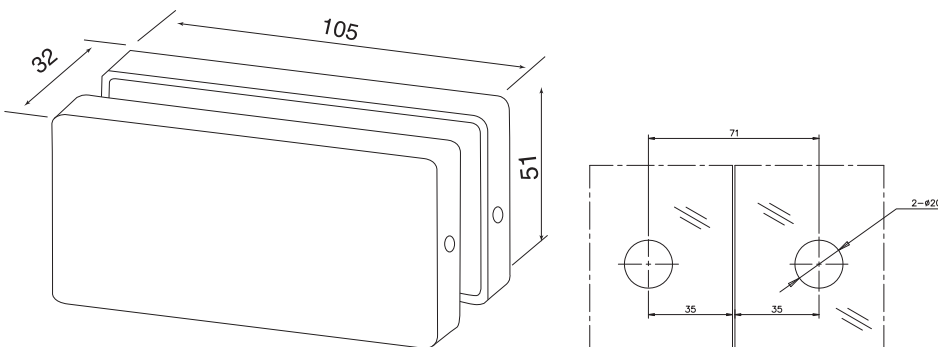
Rectangular Connect Patch

Product code **7775**
 UNSPSC code **40141799SD00101**

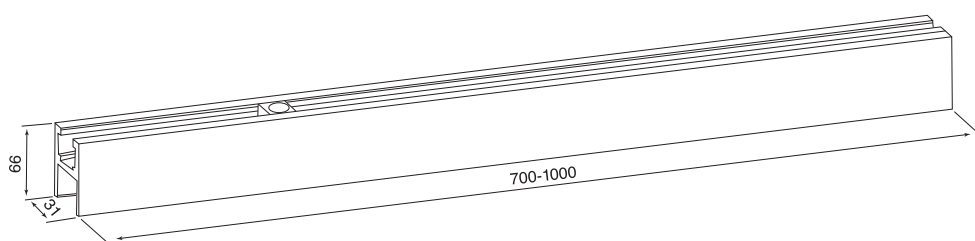


Features

- To connect two numbers of fixed glass together
- Spring loaded pins for easy installation and for firm fitting
- SS 304 cover for high corrosion resistance
- Gaskets provided to accommodate glass from 8-12 mm thickness and avoid glass damage



Top Rail

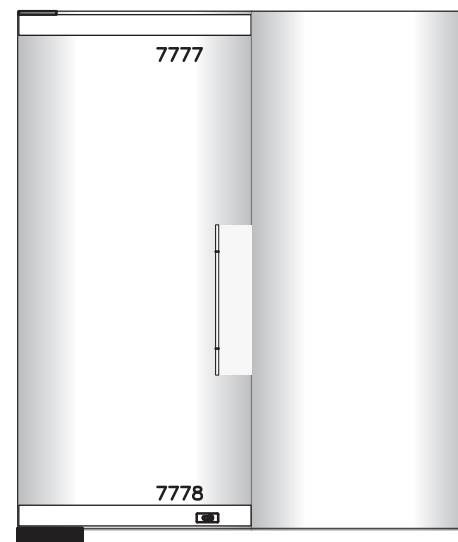


Product code **7777**

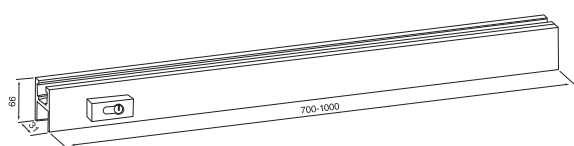
UNSPSC code **40141799SD00076**

Features

- Installed on top of the door
- Provided with clip on covers
- Firm grip for strength and rigidity to the door structure
- SS 304 cover for high corrosion resistance
- Length: 1 metre



Bottom Rail

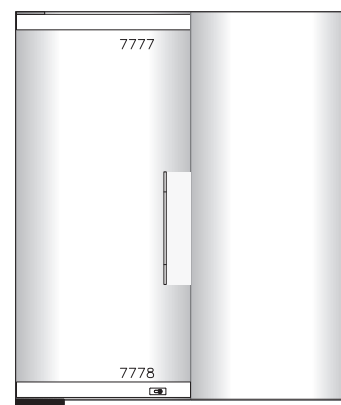


Product code **7778**

UNSPSC code **40141799SD00077**

Features

- Installed at the bottom of the door
- Provided with clip on covers
- Firm grip for strength and rigidity to the door structure
- SS 304 cover for high corrosion resistance
- Length: 1 metre
- Compatible with Godrej Security Strengths 1, 3 and 4 high security cylinders
- Master key facility (optional)
- Bolt throw: 17 mm



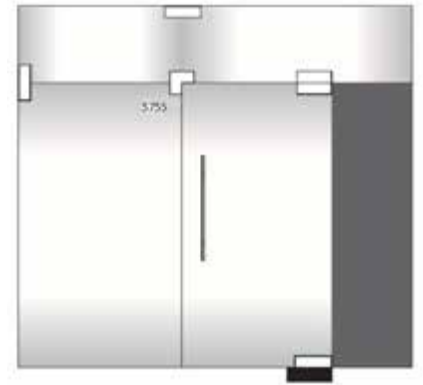
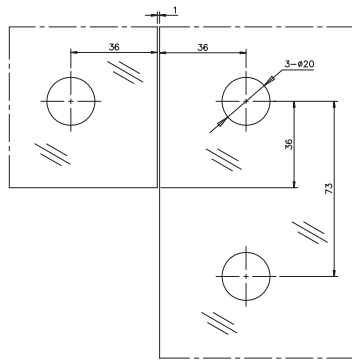
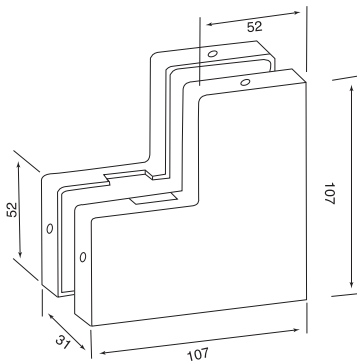
Kurve L Connect Patch with Stopper

Product code **5755**
 UNSPSC code **40141799SD00120**



Features

- Elegant and appealing curvilinear design
- SS 304 cover for high corrosion resistance
- Spring loaded push pins for easy installation and for firm fitting
- Gaskets provided to accommodate glass from 8-12 mm thickness and avoid glass damage
- Can be used for one-way operation of door



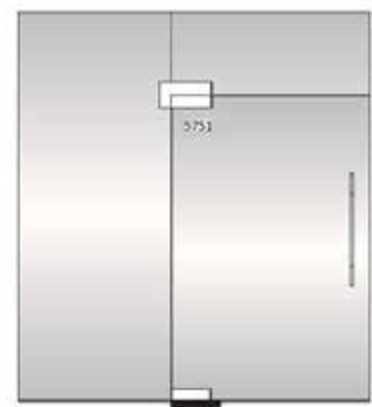
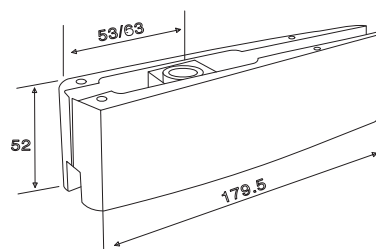
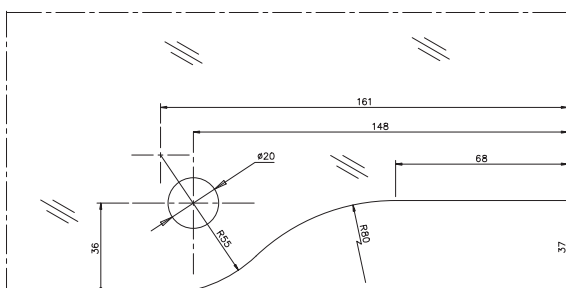
Kurve Top Patch

Product code **5751**
 UNSPSC code **40141799SD00132**



Features

- Elegant and appealing curvilinear design
- SS 304 cover for high corrosion resistance
- Spring loaded push pin for easy installation and for firm fitting
- Adjustable pivot point of 55 or 60 mm
- Gasket provided to accommodate glass from 8-12 mm thickness and avoid glass damage



Kurve Bottom Patch

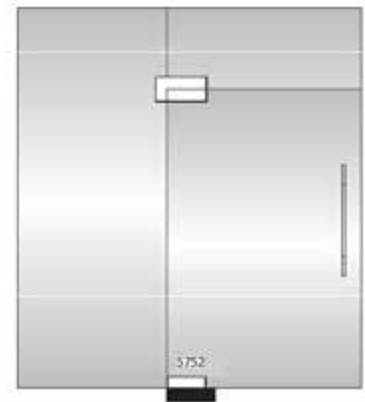
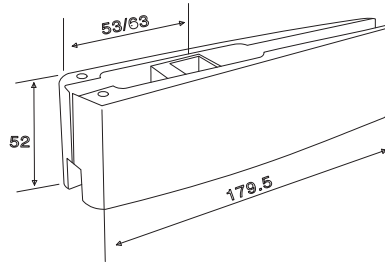
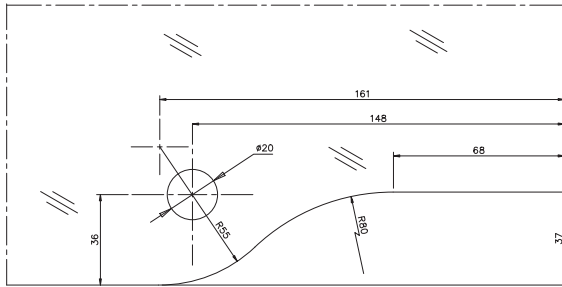
Product code **5752**

UNSPSC code **40141799SD00127**



Features

- Elegant and appealing curvilinear design
- SS 304 cover for high corrosion resistance
- Universal pivot hole dimension for easy fitment with floor springs
- Gasket provided to accommodate glass from 8-12 mm thickness and avoid glass damage



Kurve Bottom Patch Lock

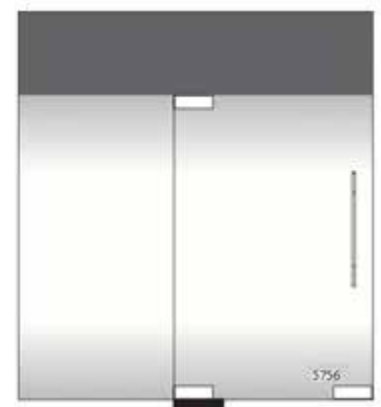
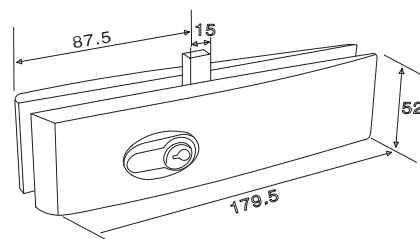
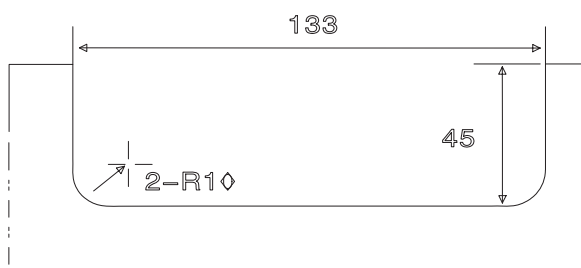
Product code **5756**

UNSPSC code **40141799SD00133**



Features

- Elegant and appealing curvilinear design
- SS 304 cover for high corrosion resistance
- Spring loaded push pin for easy installation and for firm fitting
- Gaskets provided to accommodate glass from 8-12 mm thickness and avoid glass damage
- Bolt throw of 15 mm



Kurve L-Arm Patch with Pivot

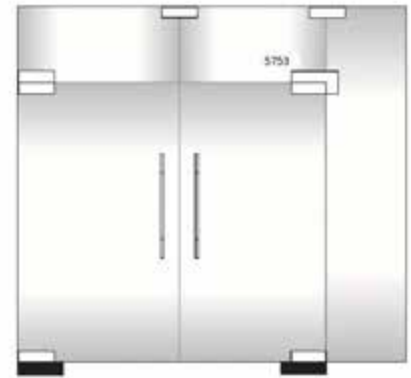
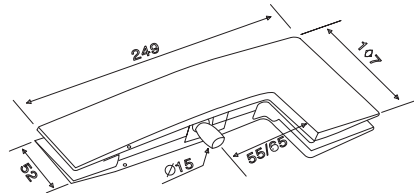
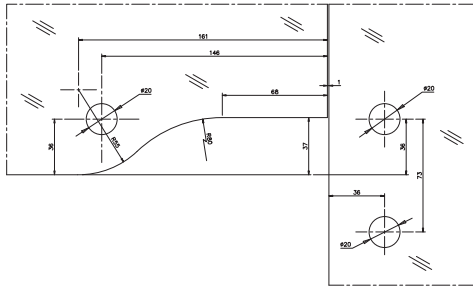
Product code **5753**

UNSPSC code **40141799SD00126**



Features

- Elegant and appealing curvilinear design
- SS 304 cover for high corrosion resistance
- Spring loaded push pin for easy installation and for firm fitting
- Pivot zinc plated for long life
- Adjustable pivot
- Pivot diameter of 15mm
- Gasket provided to accommodate glass from 8-12 mm thickness and avoid glass damage



Glass to Wall Lock - Round

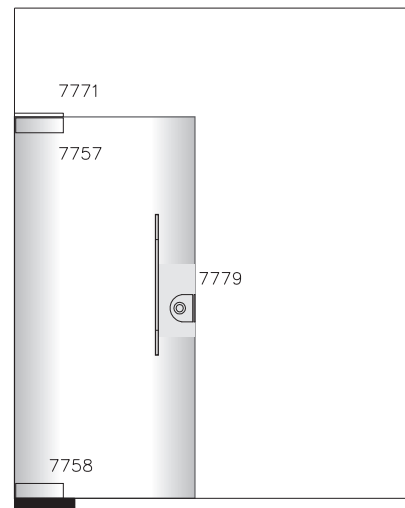
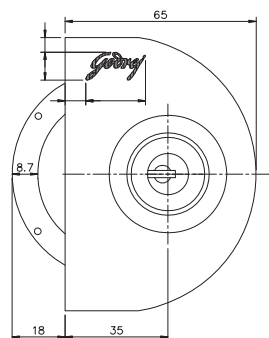
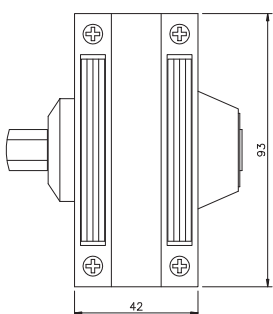
Product code **7779**

UNSPSC code **40141799SD00067**



Features

- Glass to Wall Lock round type suitable for 10 mm and 12 mm glass
- Requires no cutout in the glass
- Operated with Dimple technology key from one side and knob on the other side
- SS 304 for high corrosion resistance



Glass to Glass Lock - Round type

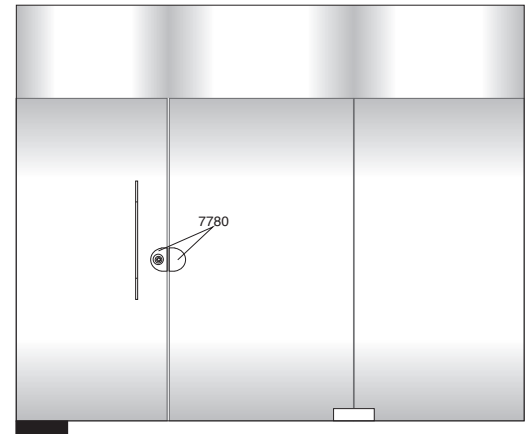
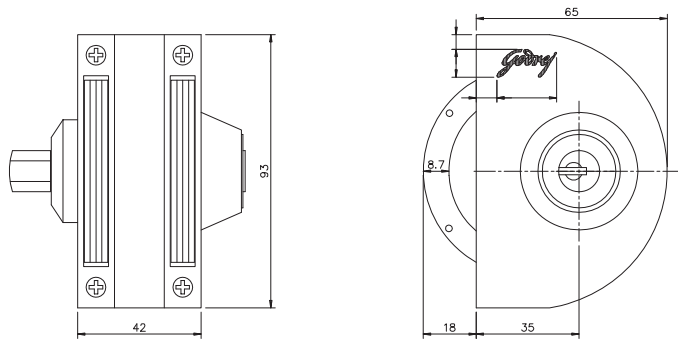
Product code **7780**

UNSPSC code **40141799SD00068**



Features

- Glass to Glass Lock round type suitable for double doors of 10 mm and 12 mm thickness
- Requires no cutout in the glass
- Operated with Dimple technology key from one side and knob on the other side
- SS 304 for high corrosion resistance



Pull Handle with Lock

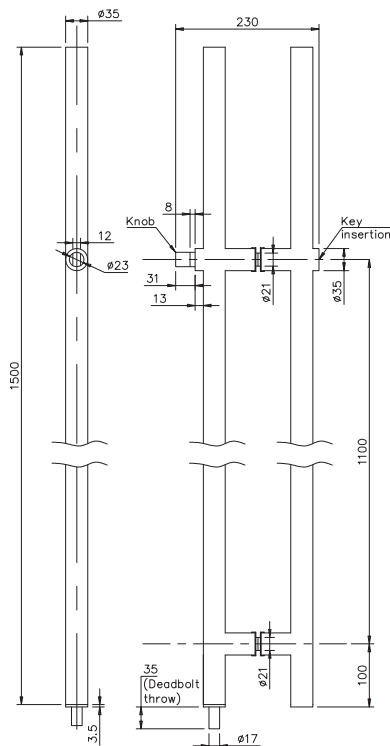
Product code **7781**

UNSPSC code **31162801SD00050**

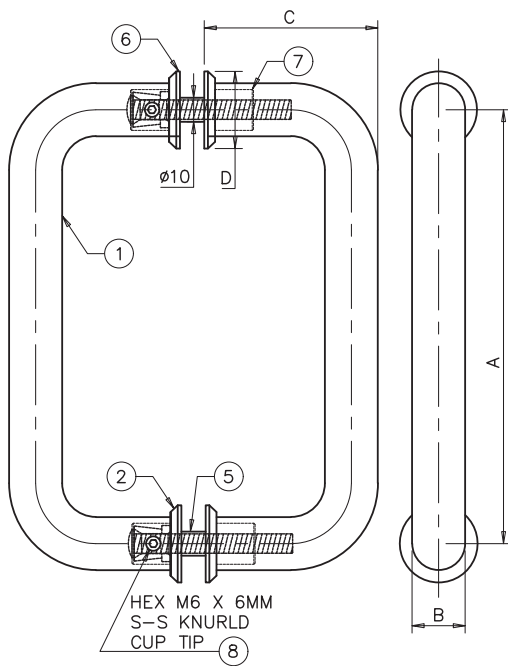


Features

- Made of SS 304 material for high corrosion resistance
- 1CK model for ease of operation
- Deadbolt length: 35 mm for extra security
- 5 keys available with handle pair
- Dust proof spring loaded receptacle



D-Type Pull Handle



Product code **2801**

UNSPSC code **31162801SD00511**

Product code **2802**

UNSPSC code **31162801SD00512**

Product code **2803**

UNSPSC code **31162801SD00513**

Product code **2804**

UNSPSC code **31162801SD00514**

Product code **2805**

UNSPSC code **31162801SD00515**

Product code **2806**

UNSPSC code **31162801SD00516**

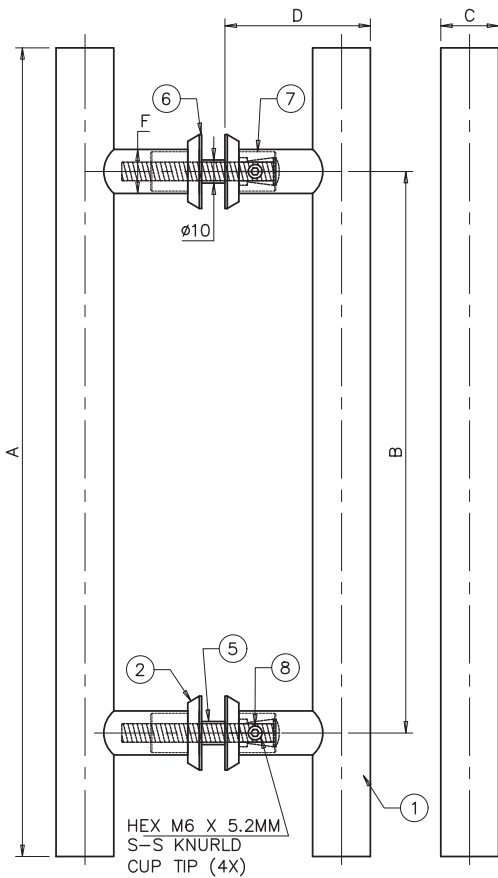
Features

- Made of SS 304 material for high corrosion resistance
- Sleek design for firm grip
- Gasket to prevent glass damage
- Concealed grub screws
- Available in different sizes

D-Type Handles

SIZE (mm)	PRODUCT CODE	UNSPSC CODE	A	B	C	D
200 X 22	2801	31162801SD00511	200	22	80	31
300 X 25	2802	31162801SD00512	300	25	80	31
350 X 25	2803	31162801SD00513	350	25	80	31
400 X 25	2804	31162801SD00514	400	25	80	31
450 X 25	2805	31162801SD00515	450	25	80	31
600 X 32	2806	31162801SD00516	600	32	80	39

H-Type Pull Handle



Product code **2807**

UNSPSC code **31162801SD00517**

Product code **2808**

UNSPSC code **31162801SD00518**

Product code **2809**

UNSPSC code **31162801SD00519**

Product code **2810**

UNSPSC code **31162801SD00520**

Product code **2811**

UNSPSC code **31162801SD00521**

Product code **2812**

UNSPSC code **31162801SD00522**

Product code **2813**

UNSPSC code **31162801SD00523**

Product code **2814**

UNSPSC code **1162801SD00524**

Product code **7535**

UNSPSC code **31162801SD00065**

Features

- Made of SS 304 material for high corrosion resistance
- Sleek design for firm grip
- Gasket to prevent glass damage
- Concealed grub screws
- Available in different sizes

H-Type Handles

SIZE (mm)	PRODUCT CODE	UNSPSC CODE	A	B	C	D	E	F
300 X 25	2807	31162801SD00517	300	212	25	58	24	19
325 X 25	2808	31162801SD00518	325	240	25	58	24	19
400 X 25	2809	31162801SD00519	400	332	25	58	24	19
600 X 25	2810	31162801SD00520	600	455	25	58	24	19
457 X 32	2811	31162801SD00521	457	305	32	70	31	25
600 X 32	2812	31162801SD00522	600	480	32	70	31	25
840 X 32	2813	31162801SD00523	840	480	32	70	31	25
900 X 32	2814	31162801SD00524	900	700	32	70	31	25

Imagination is the beginning of creation.

You imagine what you desire, you will what you imagine
and at last you will create what you will.

- *George Bernard Shaw*





- • Shower Fittings



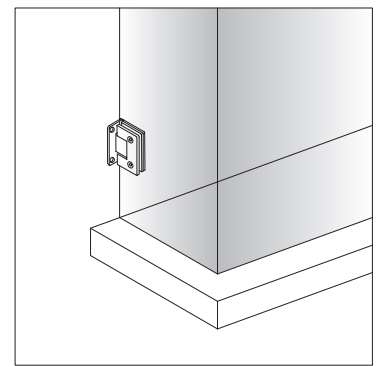
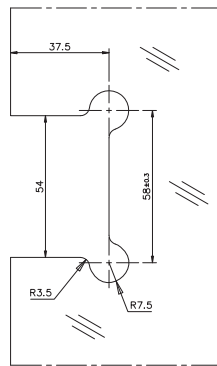
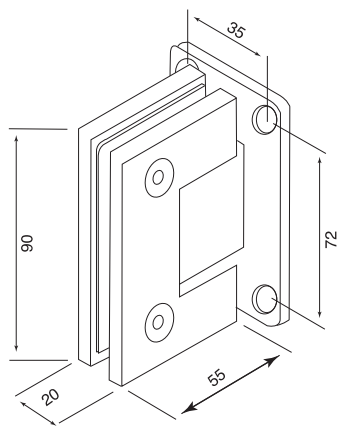
Wall to Glass Hinge

Product code **7601**

UNSPSC code **40141799SD00108**

Features

- Developed for firm holding of glass door to the wall
- Made of SS 304 which makes the fittings highly corrosion resistant
- Surface polishing with chrome prevents water seeping into the fitting
- Gaskets provided to accommodate glass from 8-12 mm
- Suitable for door weight up to 50 kg
- The door will shut automatically when closed till 25 degrees
- Can be used for two-way operation of door



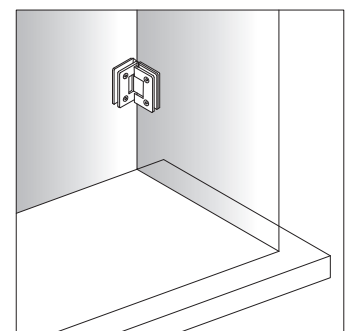
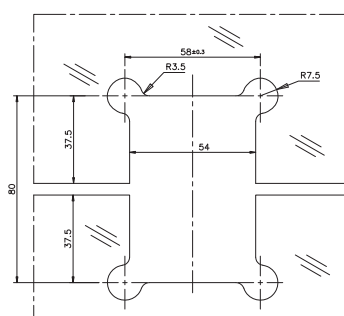
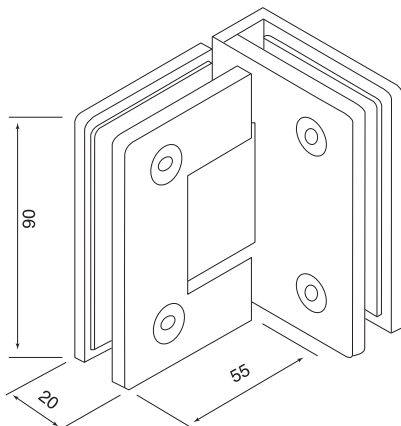
Glass to Glass Hinge 90 Degrees

Product code **7602**

UNSPSC code **40141799SD00109**

Features

- Developed for firm connecting of glass door with fixed glass at 90 degrees
- Made of SS 304 which makes the fittings highly corrosion resistant
- Surface polishing with chrome prevents water seeping into the fitting
- Gaskets provided to accommodate glass from 8-12 mm thickness and avoid glass damage
- Suitable for door weight up to 50 kg
- The door will shut automatically when closed till 25 degrees
- Can be used for two-way operation of door





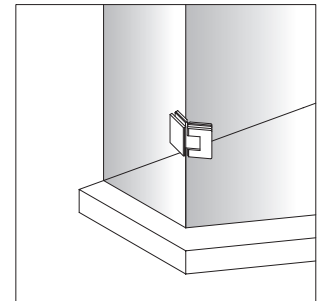
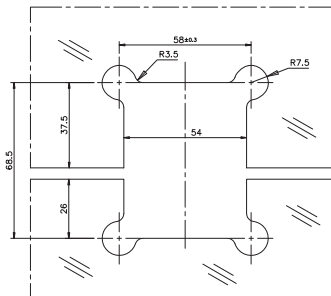
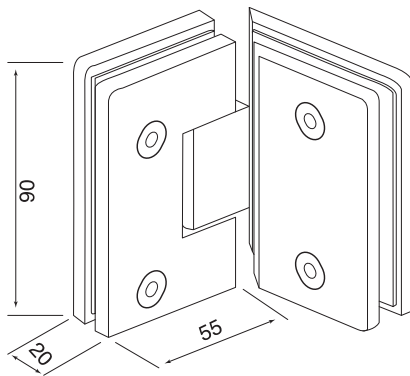
Glass to Glass Hinge 135 Degrees

Product code **7603**

UNSPSC code **40141799SD00110**

Features

- Developed for firm connecting of glass door with fixed glass at 135 degrees
- Made of SS 304 which makes the fittings highly corrosion resistant
- Surface polishing with chrome prevents water seeping into the fitting
- Gaskets provided to accommodate glass from 8-12 mm thickness and avoid glass damage
- Suitable for door weight up to 50 kg
- The door will shut automatically when closed till 25 degrees
- Can be used for two-way operation of door



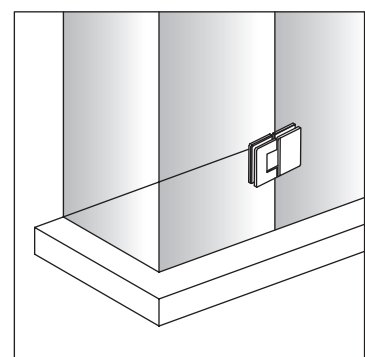
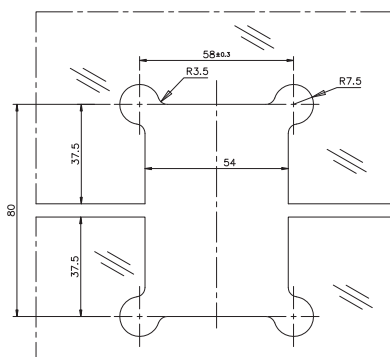
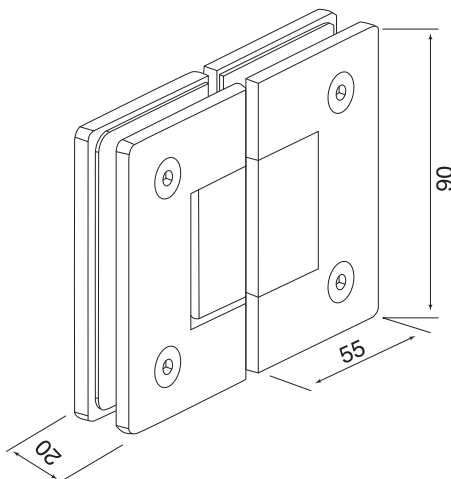
Glass to Glass Hinge 180 Degrees

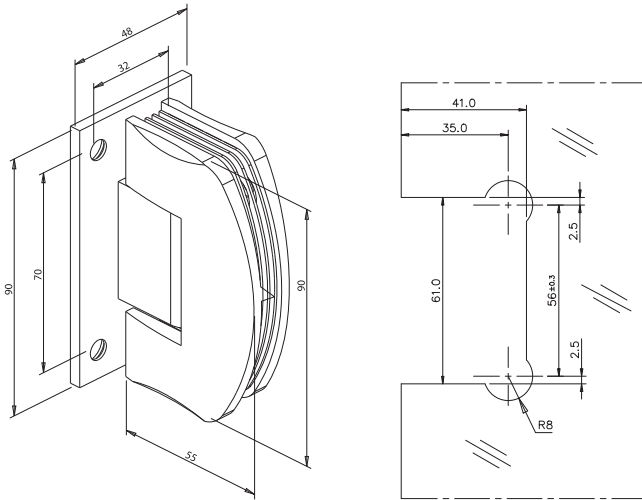
Product code **7604**

UNSPSC code **40141799SD00111**

Features

- Developed for firm connecting of glass door with fixed glass at 180 degrees
- Made of SS 304 which makes the fittings highly corrosion resistant
- Surface polishing with chrome prevents water seeping into the fitting
- Gaskets provided to accommodate glass from 8-12 mm thickness and avoid glass damage
- Suitable for door weight up to 50 kg
- The door will shut automatically when closed till 25 degrees
- Can be used for two-way operation of door





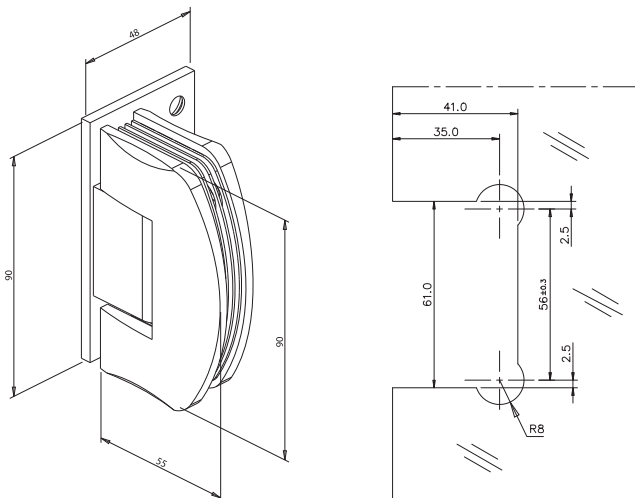
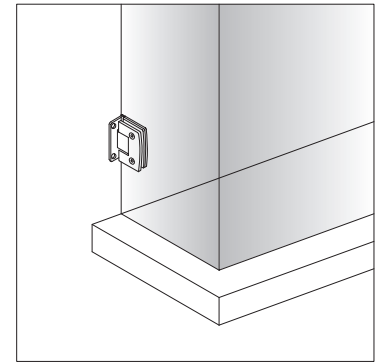
Kurve Wall to Glass Curve Hinge

Product code **5757**

UNSPSC code **40141799SD00121**

Features

- Elegant and appealing curvilinear design
- Developed for firm holding of glass door to the wall
- Made of SS 304 which makes the fittings highly corrosion resistant
- Surface polishing with chrome prevents water seeping into the fitting
- Gasket provided to accommodate glass from 8-12 mm
- Suitable for door weight up to 45 kg and width up to 1000 mm
- The door will shut automatically when closed till 30 degrees
- Can be used for two-way operation of door



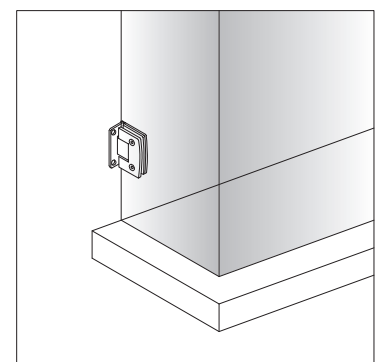
Kurve Offset Wall to Glass Curve Hinge

Product code **5758**

UNSPSC code **40141799SD00119**

Features

- Elegant and appealing curvilinear design
- Developed for firm holding of glass door offset to the wall
- Made of SS 304 which makes the fittings highly corrosion resistant
- Surface polishing with chrome prevents water seeping into the fitting
- Gasket provided to accommodate glass from 8-12 mm
- Suitable for door weight up to 45 kg and width up to 1000 mm
- The door will shut automatically when closed till 30 degrees
- Can be used for two-way operation of door





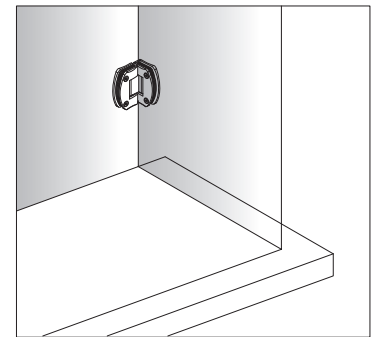
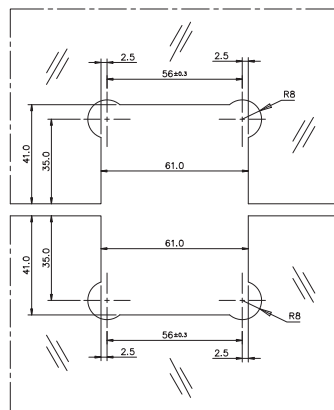
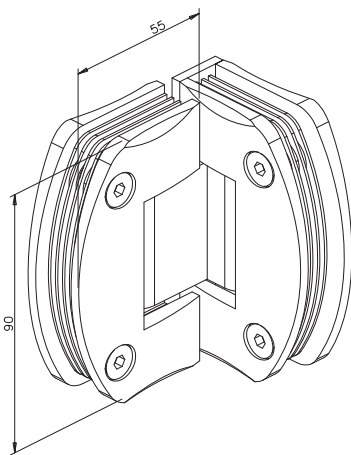
Kurve Glass to Glass Curve Hinge 90°

Product code **5765**

UNSPSC code **40141799SD00131**

Features

- Elegant and appealing curvilinear design
- Developed for firm holding of glass door with fixed glass at 90 degrees
- Made of SS 304 which makes the fittings highly corrosion resistant
- Surface polishing with chrome prevents water seeping into the fitting
- Gasket provided to accommodate glass from 8-12 mm
- Suitable for door weight up to 45 kg and width up to 1000 mm
- The door will shut automatically when closed till 30 degrees
- Can be used for two-way operation of door



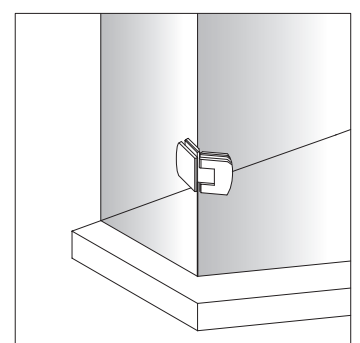
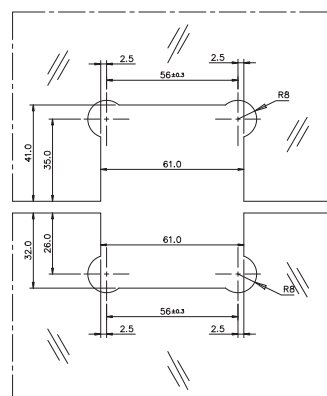
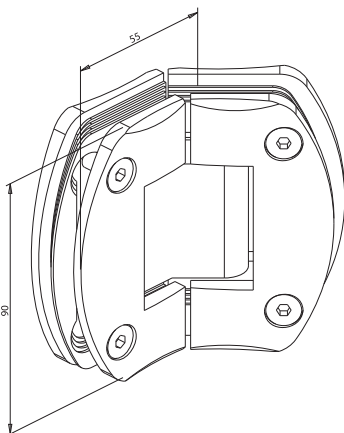
Kurve Glass to Glass Curve Hinge 135°

Product code **5764**

UNSPSC code **40141799SD00130**

Features

- Elegant and appealing curvilinear design
- Developed for firm holding of glass door with fixed glass at 135 degrees
- Made of SS 304 which makes the fittings highly corrosion resistant
- Surface polishing with chrome prevents water seeping into the fitting
- Gasket provided to accommodate glass from 8-12 mm
- Suitable for door weight up to 45 kg and width up to 1000 mm
- The door will shut automatically when closed till 30 degrees
- Can be used for two-way operation of door





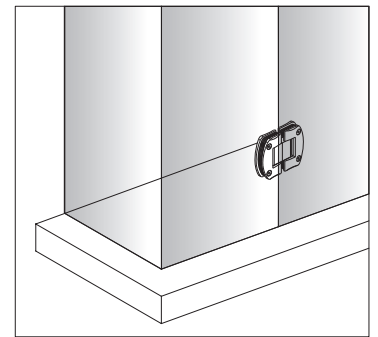
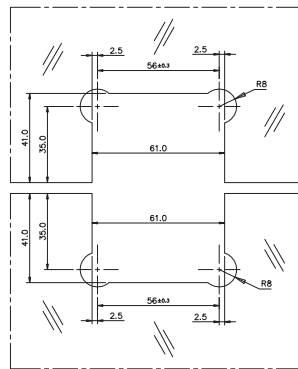
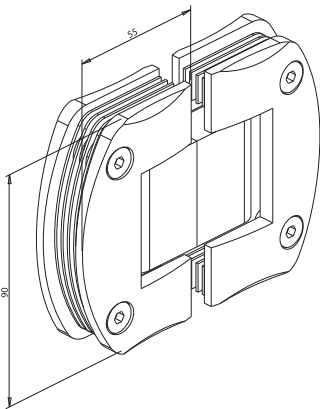
Kurve Glass to Glass Curve Hinge 180°

Product code **5759**

UNSPSC code **40141799SD00118**

Features

- Elegant and appealing curvilinear design
- Developed for firm holding of glass door with fixed glass at 180 degrees
- Made of SS 304 which makes the fittings highly corrosion resistant
- Surface polishing with chrome prevents water seeping into the fitting
- Gasket provided to accommodate glass from 8-12 mm
- Suitable for door weight up to 45 kg and width up to 1000 mm
- The door will shut automatically when closed till 30 degrees
- Can be used for two-way operation of door



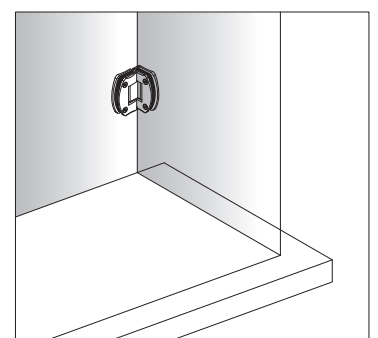
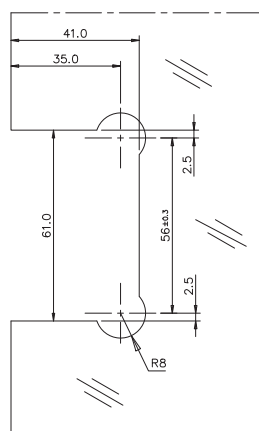
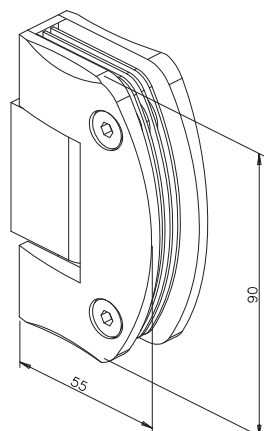
Kurve Wall to Glass Bracket Curve Hinge

Product code **5766**

UNSPSC code **40141799SD00117**

Features

- Elegant and appealing curvilinear design
- Developed for firm holding of glass to the wall
- Made of SS 304 which makes the fittings highly corrosion resistant
- Surface polishing with chrome prevents water seeping into the fitting
- Gasket provided to accommodate glass from 8-12 mm
- Suitable for door weight up to 45 kg and width up to 1000 mm





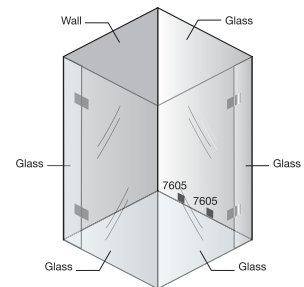
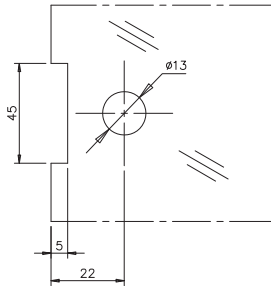
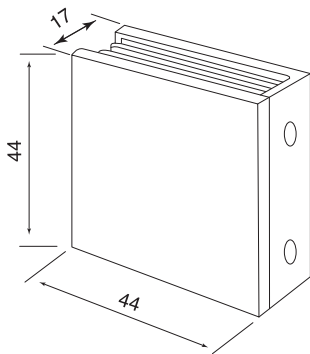
Wall to Glass Clip

Product code **7605**

UNSPSC code **40141799SD00069**

Features

- Shower Clip for firm holding of glass with wall or floor
- Made of SS 304 which makes the fittings highly corrosion resistant
- Surface polishing with chrome prevents water seeping into the fitting
- Gaskets provided to accommodate glass from 8-12 mm thickness and avoid glass damage



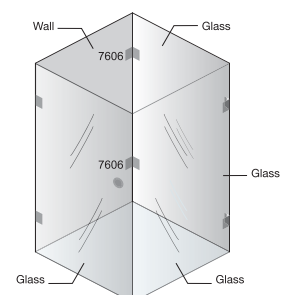
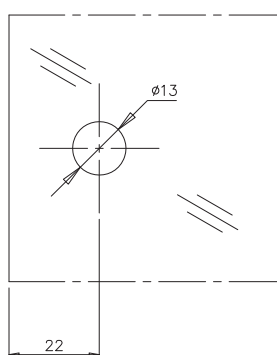
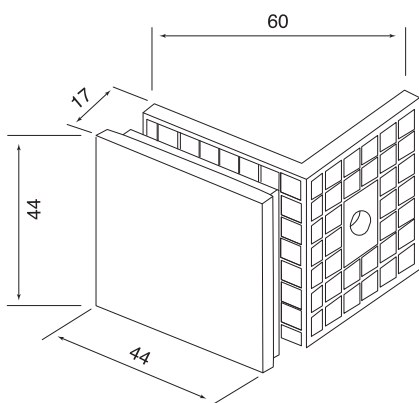
Wall to Glass Clip 90 Degrees

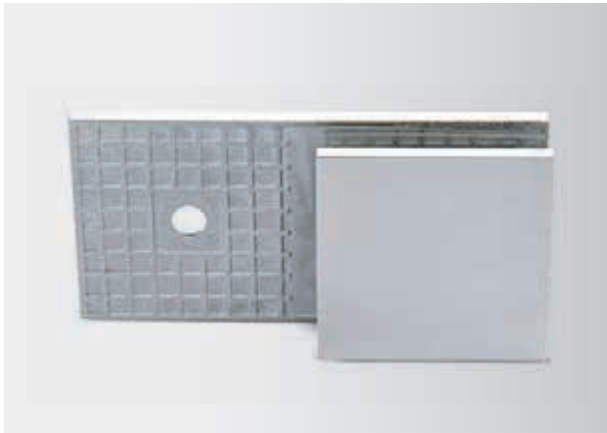
Product code **7606**

UNSPSC code **40141799SD00070**

Features

- Shower Clip for firm holding of glass with wall
- Made of SS 304 which makes the fittings highly corrosion resistant
- Surface polishing with chrome prevents water seeping into the fitting
- Gaskets provided to accommodate glass from 8-12 mm thickness and avoid glass damage



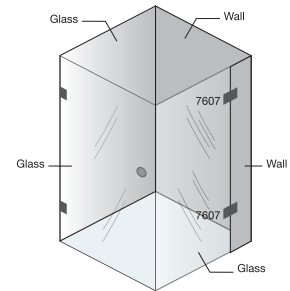
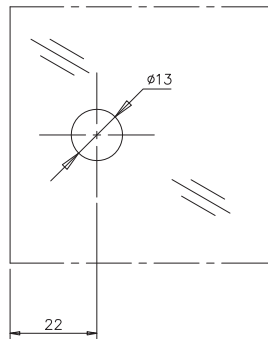
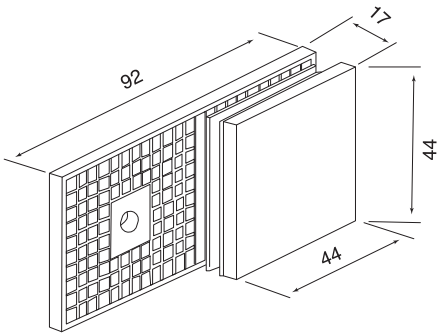


Wall to Glass Clip 180 Degrees

Product code	7607
UNSPSC code	40141799SD00104

Features

- Shower Clip for firm holding of fixed glass in line with the wall
- Made of SS 304 which makes the fittings highly corrosion resistant
- Surface polishing with chrome prevents water seeping into the fitting
- Gaskets provided to accommodate glass from 8-12 mm thickness and avoid glass damage

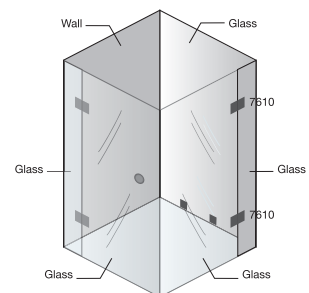
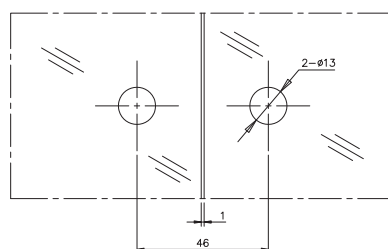
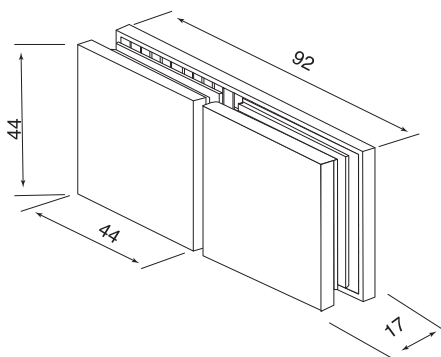


Glass to Glass Clip 180 Degrees

Product code	7610
UNSPSC code	40141799SD00107

Features

- Shower Clip for firm holding of fixed glass at 180 degrees
- Made of SS 304 which makes the fittings highly corrosion resistant
- Surface polishing with chrome prevents water seeping into the fitting
- Gaskets provided to accommodate glass from 8-12 mm thickness and avoid glass damage





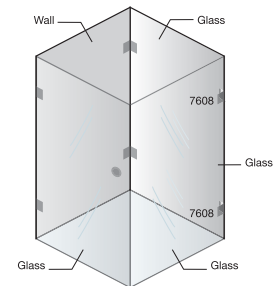
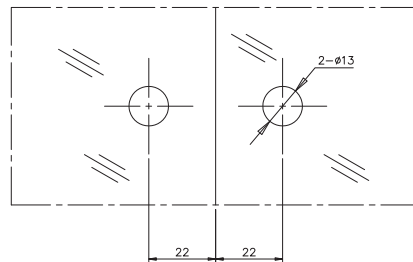
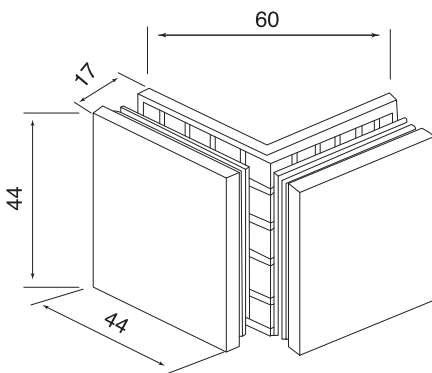
Glass to Glass Clip 90 Degrees

Product code **7608**

UNSPSC code **40141799SD00105**

Features

- Shower Clip for firm holding of fixed glass at 90 degrees
- Made of SS 304 which makes the fittings highly corrosion resistant
- Surface polishing with chrome prevents water seeping into the fitting
- Gaskets provided to accommodate glass from 8-12 mm thickness and avoid glass damage



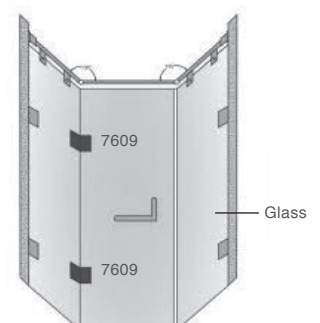
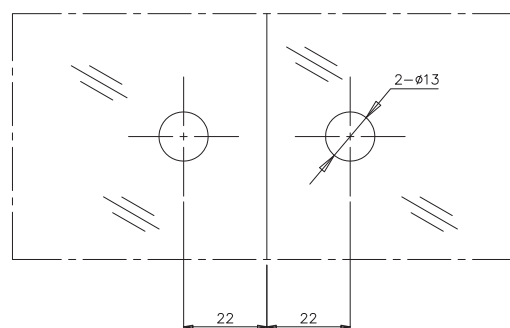
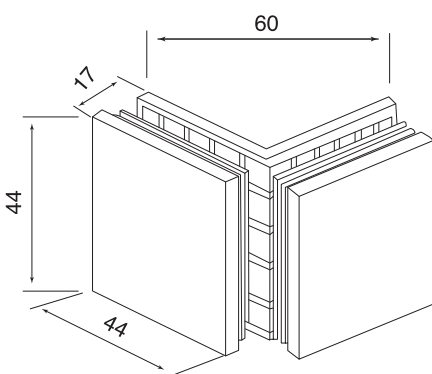
Glass to Glass Clip 135 Degrees

Product code **7609**

UNSPSC code **40141799SD00106**

Features

- Shower Clip for firm holding of fixed glass at 135 degrees
- Made of SS 304 which makes the fittings highly corrosion resistant
- Surface polishing with chrome prevents water seeping into the fitting
- Gaskets provided to accommodate glass from 8-12 mm thickness and avoid glass damage





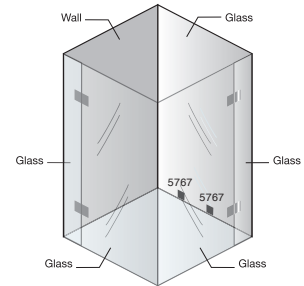
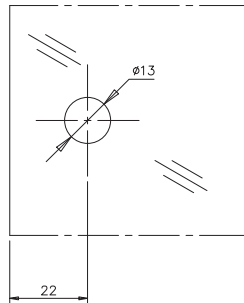
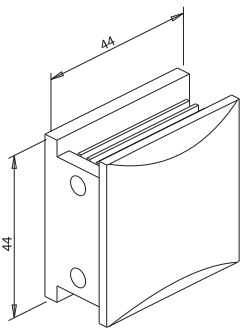
Kurve Wall to Glass Clip

Product code **5767**

UNSPSC code **40141799SD00129**

Features

- Elegant and appealing curvilinear design
- Shower Clip for firm holding of glass with wall or floor
- Made of SS 304 which makes the fittings highly corrosion resistant
- Surface polishing with chrome prevents water seeping into the fitting
- Gasket provided to accommodate glass from 8-12 mm thickness and avoid glass damage



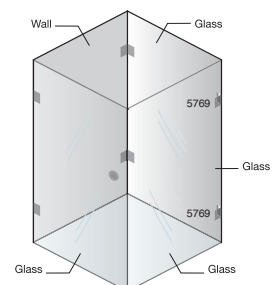
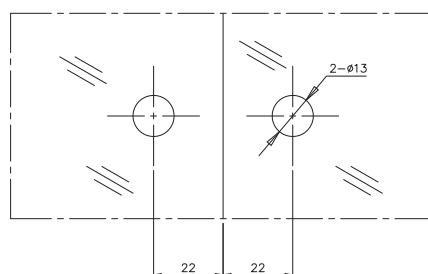
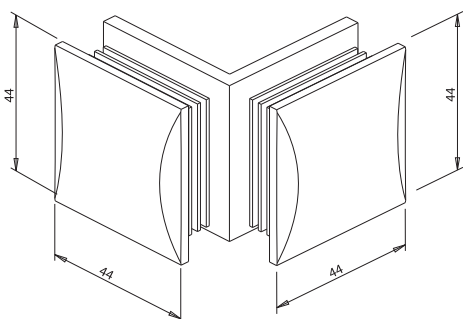
Kurve G to G Clip 90 Degrees

Product code **5769**

UNSPSC code **40141799SD00125**

Features

- Elegant and appealing curvilinear design
- Shower Clip for firm holding of fixed glass at 90 degrees
- Made of SS 304 which makes the fittings highly corrosion resistant
- Surface polishing with chrome prevents water seeping into the fitting
- Gasket provided to accommodate glass from 8-12 mm thickness and avoid glass damage





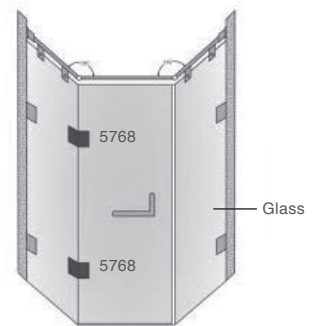
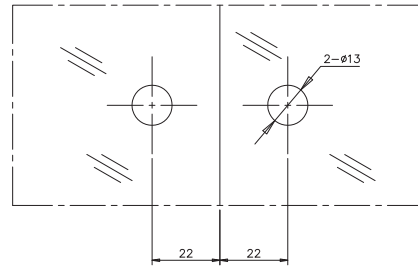
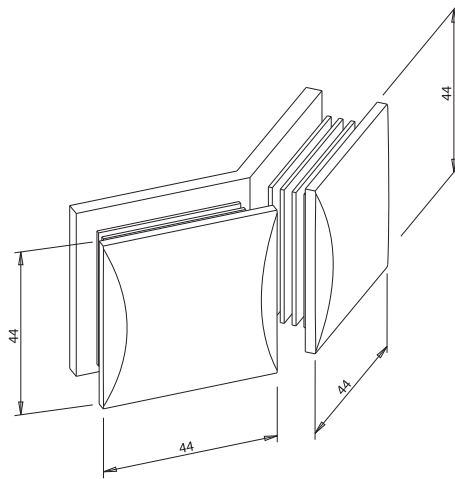
Kurve G to G Clip 135 Degrees

Product code **5768**

UNSPSC code **40141799SD00128**

Features

- Elegant and appealing curvilinear design
- Shower Clip for firm holding of fixed glass at 135 degrees
- Made of SS 304 which makes the fittings highly corrosion resistant
- Surface polishing with chrome prevents water seeping into the fitting
- Gasket provided to accommodate glass from 8-12 mm thickness and avoid glass damage



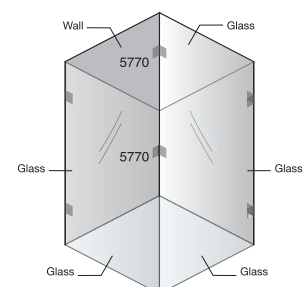
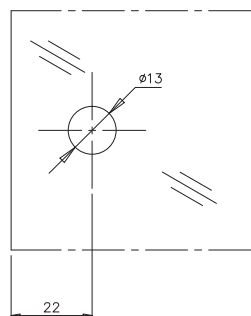
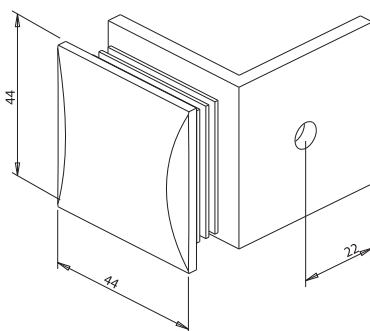
Kurve W to G Clip 90 Degrees

Product code **5770**

UNSPSC code **40141799SD00124**

Features

- Elegant and appealing curvilinear design
- Shower Clip for firm holding of fixed glass in line with the wall
- Made of SS 304 which makes the fittings highly corrosion resistant
- Surface polishing with chrome prevents water seeping into the fitting
- Gasket provided to accommodate glass from 8-12 mm thickness and avoid glass damage





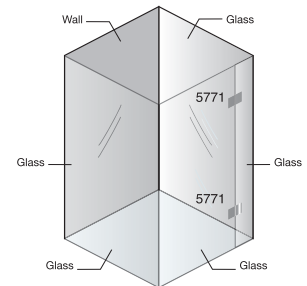
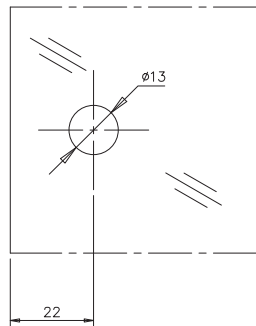
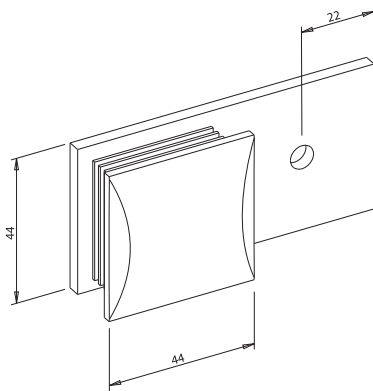
Kurve W to G Clip 180 Degrees

Product code **5771**

UNSPSC code **40141799SD00122**

Features

- Elegant and appealing curvilinear design
- Shower Clip for firm holding of fixed glass at 135 degrees
- Made of SS 304 which makes the fittings highly corrosion resistant
- Surface polishing with chrome prevents water seeping into the fitting
- Gasket provided to accommodate glass from 8-12 mm thickness and avoid glass damage



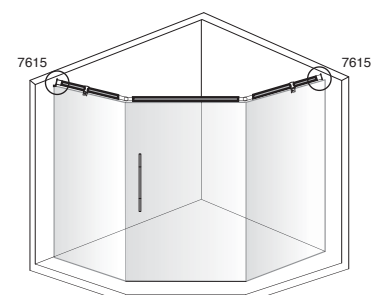
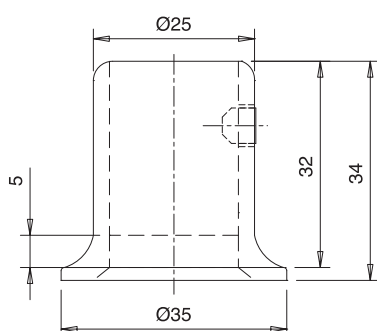
Shower Header Clip - Wall to Bar

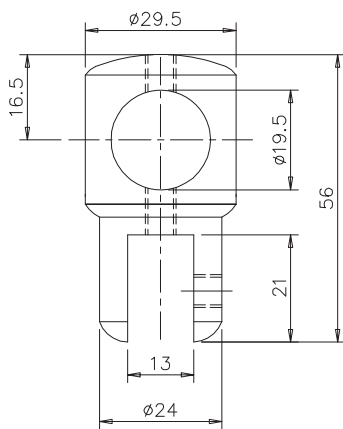
Product code **7615**

UNSPSC code **40141799SD00071**

Features

- Shower Header Clip to hold pipe with the wall
- Made of brass which makes the fittings highly corrosion resistant and durable
- Surface polishing with chrome prevents water seeping into the fitting
- High load bearing capacity
- Suitable for Ø19 mm pipe





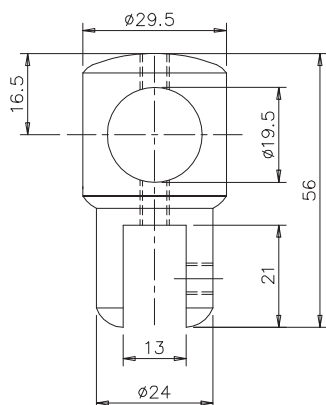
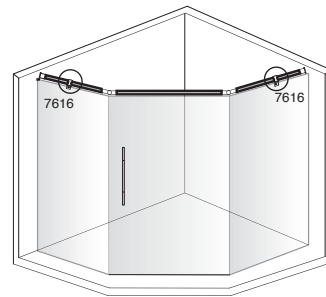
Shower Header Centre Clip

Product code **7616**

UNSPSC code **40141799SD00072**

Features

- Shower Header Clip to hold reinforcing pipe with the glass
- Made of brass which makes the fittings highly corrosion resistant and durable
- Surface polishing with chrome prevents water seeping into the fitting
- High load bearing capacity
- Suitable for Ø19 mm pipe



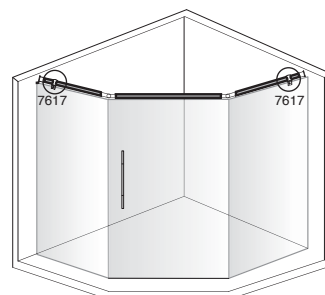
Shower Header Corner Clip

Product code **7617**

UNSPSC code **40141799SD00073**

Features

- Shower Header Clip to hold pipe with the glass
- Made of brass which makes the fittings highly corrosion resistant and durable
- Surface polishing with chrome prevents water seeping into the fitting
- High load bearing capacity
- Suitable for Ø19 mm pipe





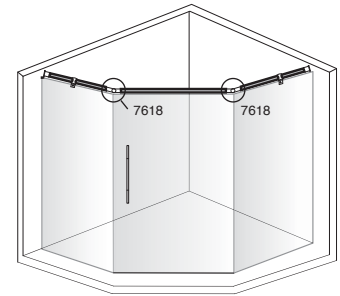
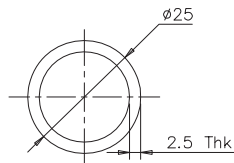
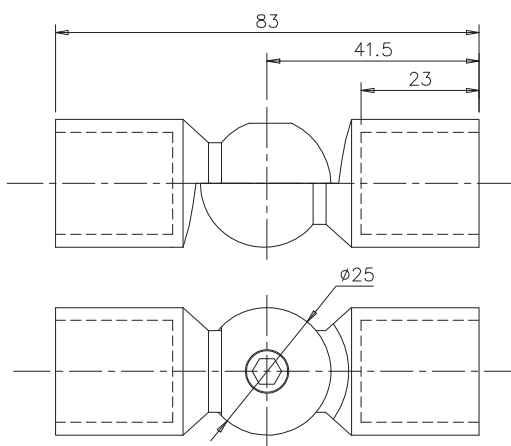
Two Shower Bar Connector

Product code **7618**

UNSPSC code **40141799SD00074**

Features

- Shower Header Clip to hold shower bar at any angle between 75 degrees and 285 degrees
- Made of brass which makes the fittings highly corrosion resistant and durable
- Surface polishing with chrome prevents water seeping into the fitting
- High load bearing capacity
- Suitable for $\varnothing 19$ mm pipe



Shower Cubicle Handle

Product code **3372 (Matt)**

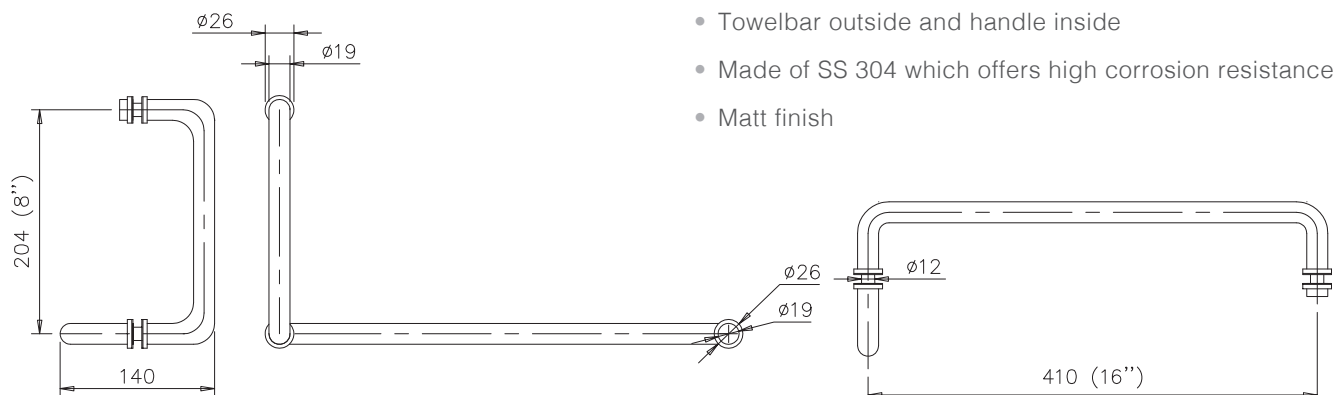
UNSPSC code **31162801SD00066**

Product code **3170 (Glossy)**

UNSPSC code **31162801SD00456**

Features

- Shower Door Handle with towel handle
- Sleek design
- Towelbar outside and handle inside
- Made of SS 304 which offers high corrosion resistance
- Matt finish





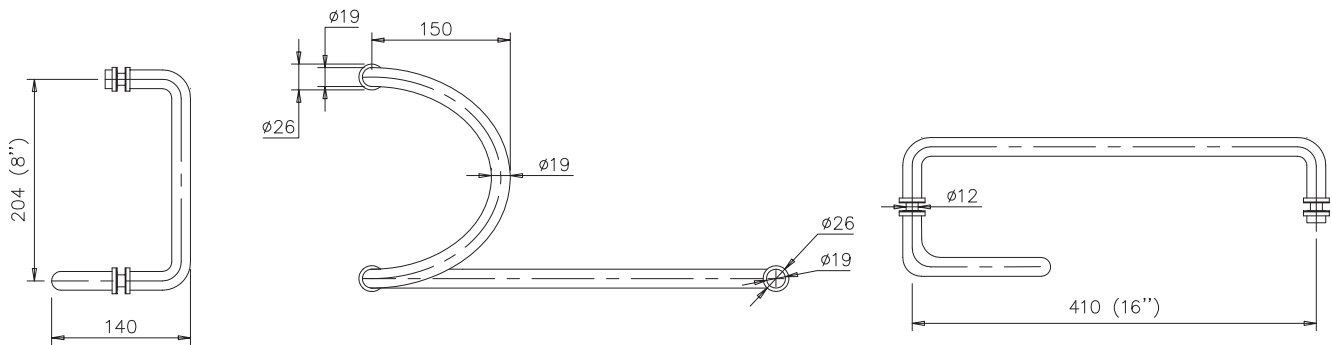
Shower Cubicle Handle

Product code **3373**

UNSPSC code **31162801SD00067**

Features

- Shower Door Handle with towel handle
- Sleek design
- Towelbar outside and handle inside
- Made of SS 304 which offers high corrosion resistance
- Matt finish



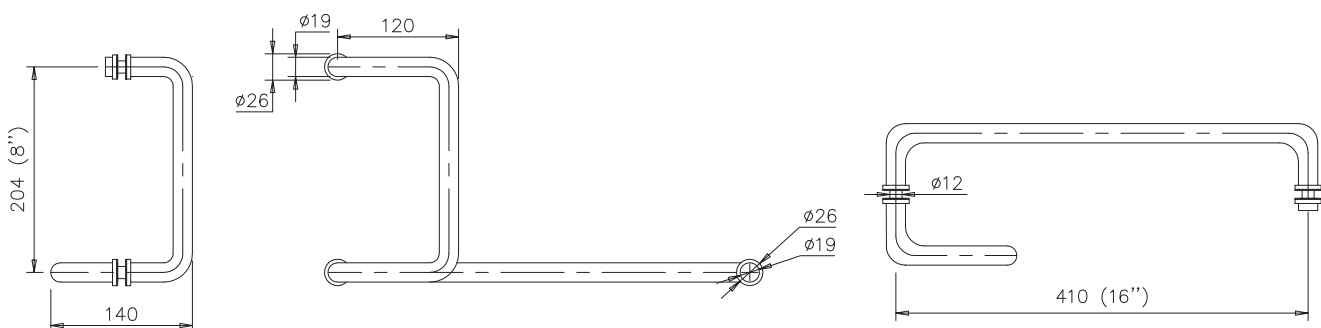
Shower Cubicle Handle

Product code **3680**

UNSPSC code **31162801SD00068**

Features

- Shower Door Handle with towel handle
- Sleek design
- Towelbar outside and handle inside
- Made of SS 304 which offers high corrosion resistance
- Matt finish





Magnetic Seals - 90 Degrees

Product code **7333 (8 mm)**

UNSPSC code **40141799SD00084**

Product code **7334 (10 mm)**

UNSPSC code **40141799SD00085**

Product code **7335 (12 mm)**

UNSPSC code **40141799SD00086**

Features

- Made of PVC for durability
- Twin magnetic strips for firm closing
- Length of 2.1M



Magnetic Seals - 135 Degrees

Product code **7330 (8 mm)**

UNSPSC code **40141799SD00081**

Product code **7331 (10 mm)**

UNSPSC code **40141799SD00082**

Product code **7332 (12 mm)**

UNSPSC code **40141799SD00083**

Features

- Made of PVC for durability
- Twin magnetic strips for firm closing
- Length of 2.1M



Magnetic Seals - 180 Degrees

Product code **7327 (8 mm)**

UNSPSC code **40141799SD00078**

Product code **7328 (10 mm)**

UNSPSC code **40141799SD00079**

Product code **7329 (12 mm)**

UNSPSC code **40141799SD00080**

Features

- Made of PVC for durability
- Twin magnetic strips for firm closing
- Length of 2.1M



One Side Seal

Product code **7336 (8 mm)**

UNSPSC code **40141799SD00087**

Product code **7337 (10 mm)**

UNSPSC code **40141799SD00088**

Product code **7338 (12 mm)**

UNSPSC code **40141799SD00089**

Features

- Made of PVC for durability
- Soft PVC at the tip to ensure cushion
- Suitable for use between glass and wall
- Length of 2.1M



Central 180 Degrees Weather Seals

Product code **7339 (8 mm)**

UNSPSC code **40141799SD00090**

Product code **7340 (10 mm)**

UNSPSC code **40141799SD00091**

Product code **7341 (12 mm)**

UNSPSC code **40141799SD00092**

Features

- Made of PVC for durability
- 180 degrees soft PVC at the tip to ensure cushion
- Suitable for use between two glasses
- Length of 2.1M



Water Deflector Seal

Product code **7342 (8 mm)**

UNSPSC code **40141799SD00093**

Product code **7343 (10 mm)**

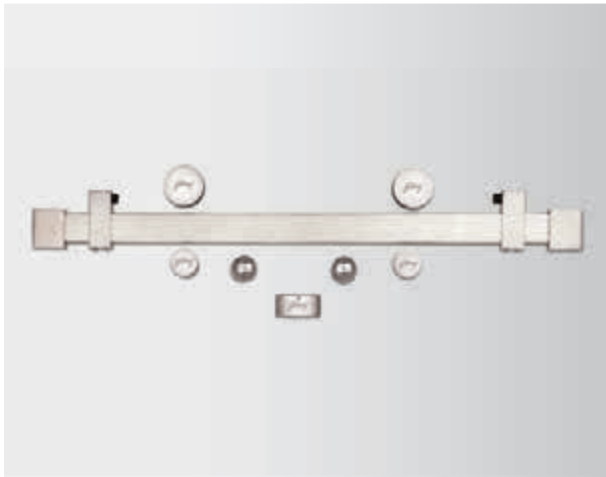
UNSPSC code **40141799SD00094**

Product code **7344 (12 mm)**

UNSPSC code **40141799SD00095**

Features

- Made of PVC for durability
- Mop-like shape for proper seepage of water
- Suitable for use at the bottom of glass door
- Length of 2.1M



Shower sliding kit

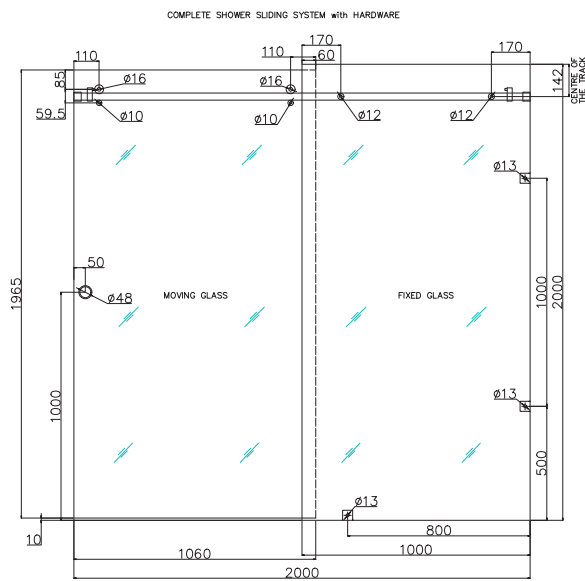
Product code **5792**

Baan code **40141799SD00210**

Shower sliding track

Product code **5793**

Baan code **40141799SD00211**



"This drawing is for representation purpose only and may vary based on actual measurement of the site."

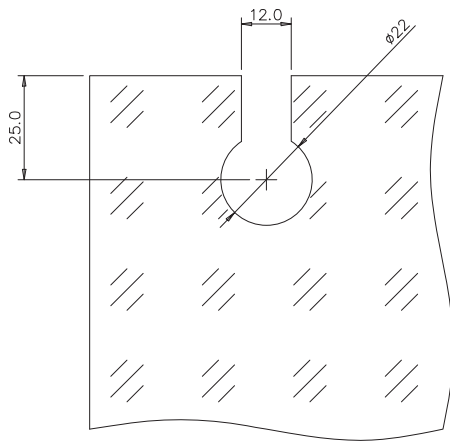
Features

- Enhance esthetic appeal of shower cubicle with clean looks of sliding system
- All parts of the sliding system made of stainless steel 304 (SS304) material for rust resistance
- Glossy finish to match with other shower cubicle accessories
- Easy to accommodate 8mm to 12mm of glass thickness with a weight capacity of 65kg.
- Shower sliding track made of stainless steel 304 (SS304) material for rust resistance
- Shower sliding track is of length 2 meters
- Durability tested for 50000 lifecycles





- ● Sliding System



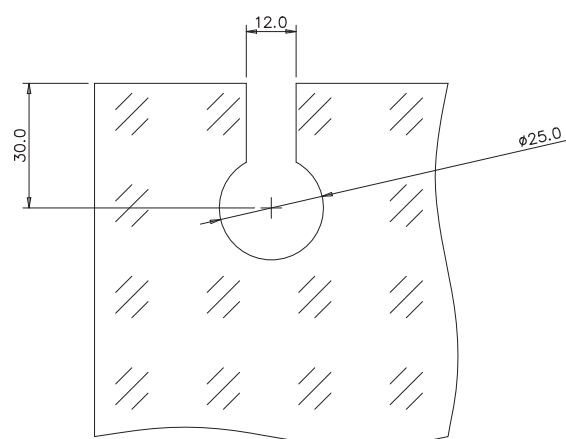
Glass Sliding Door System GSS144 - 60 kg

Product code **5787**

UNSPSC code **30171514SD00179**

Features

- SS 304 glass holding point for high corrosion resistance
- Height adjustable glass holder point
- Roller configuration for even distribution of load
- Independently connected rollers to prevent damage to track and rollers
- Suitable for 8 mm to 12 mm glass
- Suitable for door weight 60 kg
- 50,000 cycles tested



Glass Sliding Door System GSS145 - 80 kg

Product code **5788**

UNSPSC code **30171514SD00163**

Features

- Four fiber reinforced plastic rollers of 30 mm diameter
- SS 304 glass holding point for high corrosion resistance
- Height adjustable glass holder point
- Roller configuration for even distribution of load
- Independently connected rollers to prevent damage to track and rollers
- Suitable for 8 mm to 12 mm glass
- Suitable for door weight 80 kg
- 50,000 cycles tested



Sliding Door track- T1

Product code > **5789**

UNSPSC code > **30171514SD00164**

Features

- Single door track
- Aluminum anodized track
- Wall/Ceiling/Glass mountable
- Small size for better look
- Standard size of 2 meter



Double Sliding Door track- T2

Product code > **5790**

UNSPSC code > **30171514SD00165**

Features

- Suitable for double door
- Aluminum anodized Track
- Robust in construction
- For ceiling mounting
- Small size for better look
- Standard size of 2 meter



Double Sliding Door track with fix glass- T3

Product code **5791**

UNSPSC code **30171514SD00166**

Features

- Suitable for door and fixed glass
- Aluminum anodized Track
- Robust in construction
- For ceiling mounting
- Small size for better look
- Standard size of 2 meter



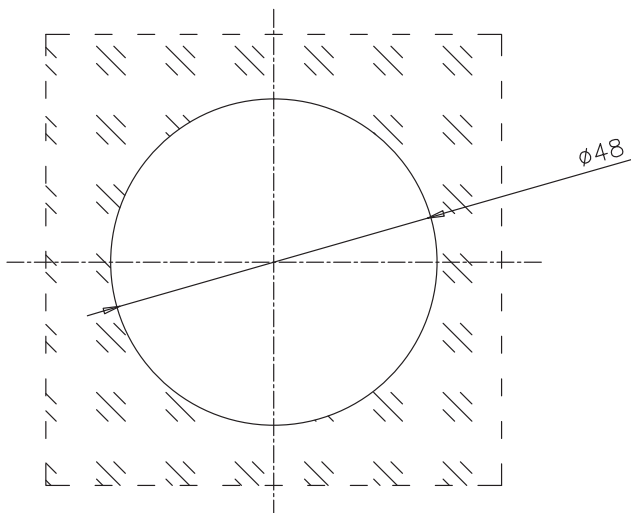
Sliding Door handle-01

Product code **5450**

UNSPSC code **31162801SD00175**

Features

- Sliding glass door handle
- SS 304 material for high corrosion resistance
- Glass preparation 48mm diameter hole





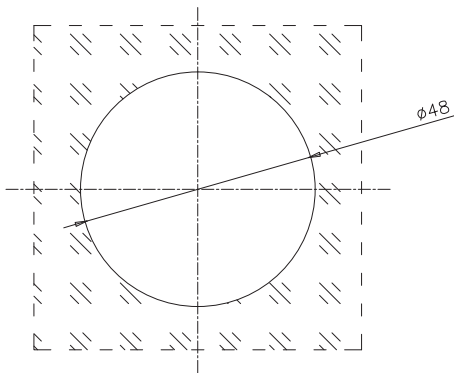
Sliding Door handle-02

Product code **5452**

UNSPSC code **31162801SD00176**

Features

- Sliding door through handle
- Ensures better operating comfort
- SS 304 material for high corrosion resistance



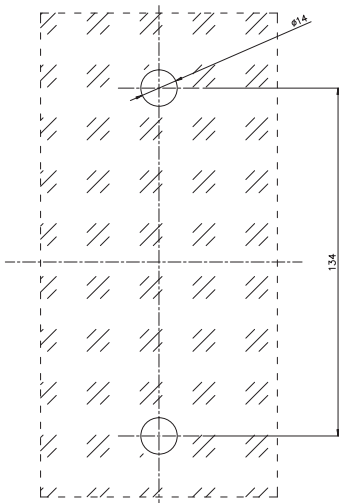
Sliding Door handle-03

Product code **5453**

UNSPSC code **31162801SD00177**

Features

- Sliding door handle
- SS 304 material for high corrosion resistance
- Rectangular shape handle







- ● Floor Springs

Floor Spring D60

Product code **7477**

UNSPSC code **30171514SD00053**



Maximum door weight	60 kg
Maximum door width	900 mm
Product dimensions (LxWxH)	260x106x44.5
Power size	2
Adj. latching speed	Yes
Adj. closing speed	Yes
Hold open	Yes
Lifecycles	1 lakh

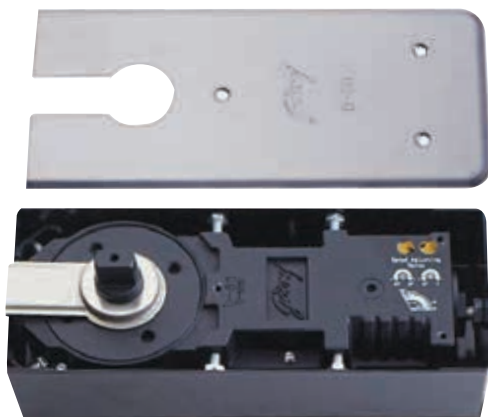
Features

- Adjustable closing speed and latching speed
- Mechanical hold open at 90 degrees
- High grade cast iron body housed in galvanised steel box
- Thermostable hydraulic fluid to ensure smooth operation in any climatic condition
- Fixed power size - 2
- Maximum closing moment - 22 Nm
- SS 304 Coverplate for high corrosion resistance

Floor Spring D80

Product code **8293**

UNSPSC code **30171514SD00036**



Maximum door weight	80 kg
Maximum door width	950 mm
Product dimensions (LxWxH)	256x105x50
Power size	2
Adj. latching speed	Yes
Adj. closing speed	Yes
Lifecycles	1 lakh

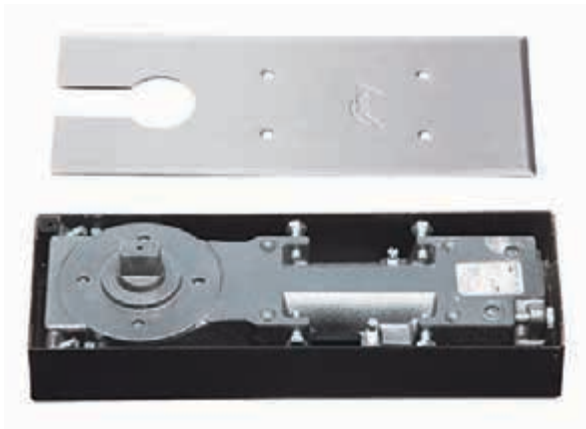
Features

- Adjustable closing speed and latching speed
- Mechanical hold open at 90 degrees
- High grade cast iron body housed in galvanised steel box
- Thermostable hydraulic fluid to ensure smooth operation in any climatic condition
- Fixed power size - 2
- Maximum closing moment - 22 Nm
- SS 304 Coverplate for high corrosion resistance

Floor Spring B710

Product code **8341**

UNSPSC code **30171514SD00014**



Maximum door weight	80 kg
Maximum door width	900 mm
Product dimensions (LxWxH)	274x97x40
Power size	2
Adj. latching speed	Yes
Adj. closing speed	Yes
Hold open	Yes
Lifecycles	1 lakh

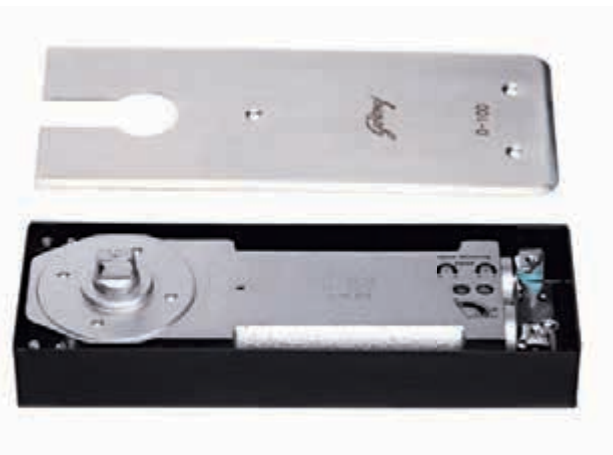
Features

- Adjustable closing speed and latching speed
- Installation height at 40 mm which enables thin slab application
- Mechanical hold open at 90 degrees
- High grade cast iron body housed in galvanised steel box
- Thermostable hydraulic fluid to ensure smooth operation in any climatic condition
- Fixed power size - 2
- Maximum closing moment - 20 Nm
- SS 304 Coverplate for high corrosion resistance

Floor Spring D100

Product code **8294**

UNSPSC code **30171514SD00035**



Maximum door weight	100 kg
Maximum door width	1050 mm
Product dimensions (LxWxH)	308x108x40
Power size	3
Adj. latching speed	Yes
Adj. closing speed	Yes
Hold open	Yes
Lifecycles	5 lakh
EN rating	Yes
Fire rating	Yes

Features

- Adjustable closing speed and latching speed
- Installation height at 40 mm which enables thin slab application
- Mechanical hold open at 90 degrees
- High grade cast iron body housed in galvanised steel box
- Thermostable hydraulic fluid to ensure smooth operation in any climatic condition
- Fixed power size - 3
- Maximum closing moment - 22 Nm
- SS 304 Coverplate for high corrosion resistance

Super Heavy Duty Floor Spring D120

Product code	7381
UNSPSC code	30171514SD00054



Maximum door weight	120 kg
Maximum door width	1250 mm
Product dimensions (LxWxH)	308x108x40
Power size	4
Adj. latching speed	Yes
Adj. closing speed	Yes
Hold open	Yes
Lifecycles	5 lakh
EN rating	Yes
Fire rating	Yes

Features

- Adjustable closing speed and latching speed
- Mechanical hold open at 90 degrees
- Installation height at 40 mm which enables thin slab application
- High grade cast iron body housed in galvanised steel box
- Thermostable hydraulic fluid to ensure smooth operation in any climatic condition
- Fixed power size - 4
- Maximum closing moment - 33 Nm
- SS 304 Coverplate for high corrosion resistance



Super Heavy Duty Floor Spring D150

Product code	7382
UNSPSC code	30171514SD00055



Maximum door weight	150 kg
Maximum door width	1300 mm
Product dimensions (LxWxH)	308x108x40
Power size	4
Adj. latching speed	Yes
Adj. closing speed	Yes
Hold open	Yes
Lifecycles	5 lakh
EN rating	Yes
Fire rating	Yes

Features

- Adjustable closing speed and latching speed
- Installation height at 40 mm which enables thin slab application
- Mechanical hold open at 90 degrees
- High grade cast iron body housed in galvanised steel box
- Thermostable hydraulic fluid to ensure smooth operation in any climatic condition
- Fixed power size - 4
- Maximum closing moment - 22 Nm
- SS 304 Coverplate for high corrosion resistance



Floor Spring B803

Product code	7886
UNSPSC code	30171514SD00168



Maximum door weight	100 kg
Maximum door width	1000 mm
Product dimensions (LxWxH)	307x108x40
Power size	3
Adj. latching speed	Yes
Adj. closing speed	Yes
Hold open	No
Lifecycles	5 lakh
EN rating	Yes
Fire rating	Yes

Features

- Adjustable closing speed and latching speed
- Installation height at 40 mm which enables thin slab application
- High grade cast iron body housed in galvanised steel box
- Thermostable hydraulic fluid to ensure smooth operation in any climatic condition
- Fixed power size - 3
- Maximum closing moment - 25 Nm
- SS 304 Coverplate for high corrosion resistance
- EN Certified and CE Marked



Floor Spring B804

Product code	7887
UNSPSC code	30171514SD00169



Maximum door weight	100 kg
Maximum door width	1100 mm
Product dimensions (LxWxH)	307x108x40
Power size	4
Adj. latching speed	Yes
Adj. closing speed	Yes
Hold open	No
Lifecycles	5 lakh
EN rating	Yes
Fire rating	Yes

Features

- Adjustable closing speed and latching speed
- Installation height at 40 mm which enables thin slab application
- High grade cast iron body housed in galvanised steel box
- Thermostable hydraulic fluid to ensure smooth operation in any climatic condition
- Fixed power size - 4
- Maximum closing moment - 25 Nm
- SS 304 Coverplate for high corrosion resistance
- EN Certified and CE Marked



Floor spring DCF-80

Product code **5749**

UNSPSC code **30171514SD00171**



Maximum door weight	80 kg
Maximum door width	1050 mm
Product dimensions (LxWxH)	308x109x43.5
Power size	3
Adj. latching speed	Yes
Adj. closing speed	Yes
Hold open	Yes
Lifecycles	1 lakh

Features

- Double cylinder floor spring
- Adjustable closing speed and latching speed
- Mechanical hold open at 90 degree
- High grade cast iron body housed in galvanised steel box
- Thermostable hydraulic fluid to ensure smooth operation in any climatic condition
- Fixed power size of 3
- Maximum closing moment-22Nm
- SS304 cover plate for high corrosion resistance

Top and Bottom Pivot for Floor Spring

Product code **6618**

UNSPSC code **30171514PA00017**



Features

- Stainless Steel cover provided for enhanced aesthetics & corrosion resistance
- Zinc Plated part with yellow passivation for long life & corrosion resistance
- Bolt throw adjustment provided in hinge for ease of installation.
- Distance adjustment for insets provided in hinge bush for the case of installation

Suitable for:

- Floor Spring with wooden or aluminum framed doors

The desire to create is one of the deepest yearnings of the human soul.

- *Elder Uchidof*





- ● Balustrades



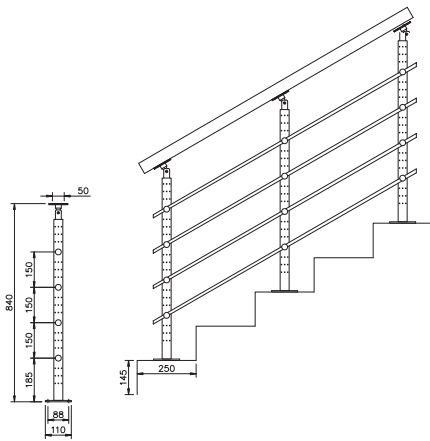
SS Railing with 4 Wire Locators

Product code **9381**

UNSPSC code **30103100SD00003**

Features

- SS 304 Grade balustrade for strength and high corrosion resistance
- Suitable for pipes
- Suitable for handrails and midrails
- Surface mounted



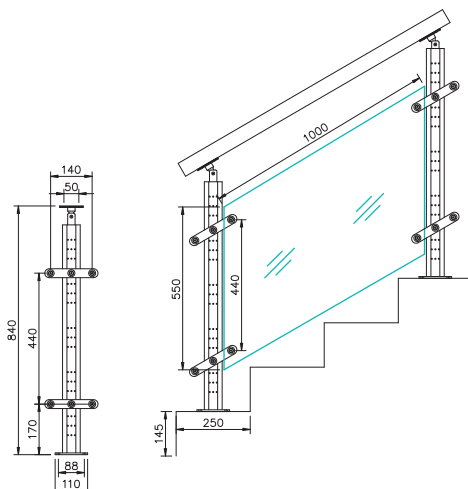
SS Railing with 2 Glass Holders

Product code **3013**

UNSPSC code **30103100SD00011**

Features

- SS 304 Grade balustrade for strength and high corrosion resistance
- Suitable for glass structure
- Surface mounted





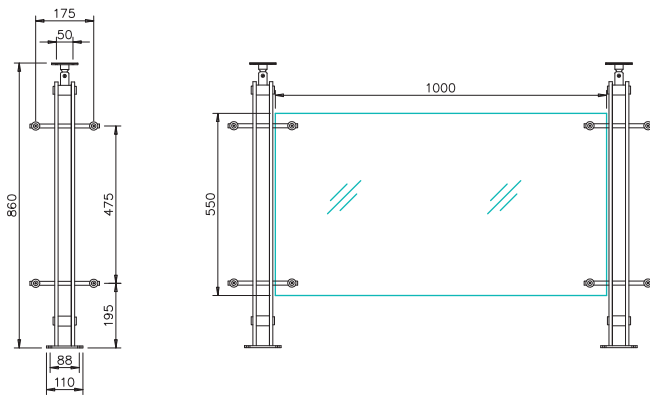
SS Railing with 2 Glass Holders

Product code **9382**

UNSPSC code **30103100SD00002**

Features

- SS 304 Grade balustrade for strength and high corrosion resistance
- Suitable for glass structure
- Surface mounted



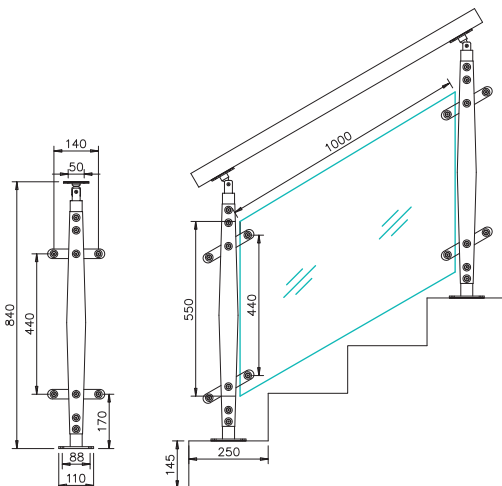
SS Railing with 2 Glass Holders

Product code **9383**

UNSPSC code **30103100SD00004**

Features

- SS 304 Grade balustrade for strength and high corrosion resistance
- Suitable for glass structure
- Surface mounted





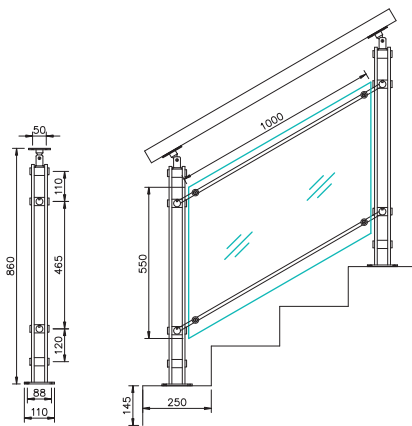
SS Railing with 2 Wire Locators

Product code **9384**

UNSPSC code **30103100SD00010**

Features

- SS 304 Grade balustrade for strength and high corrosion resistance
- Suitable for glass structure
- Surface mounted



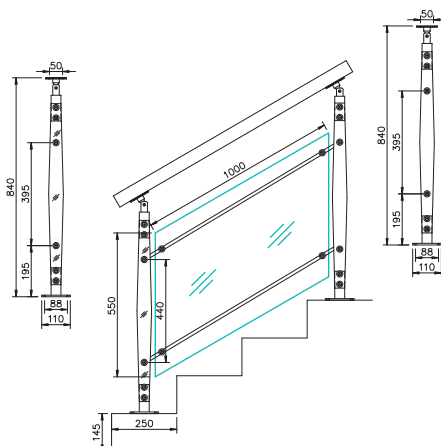
Wooden Railing with 2 Inbound Wire Locators

Product code **9385**

UNSPSC code **30103100SD00017**

Features

- Wooden railing for aesthetic appeal
- Suitable for pipes and glass
- Suitable for handrails and midrails
- Surface mounted





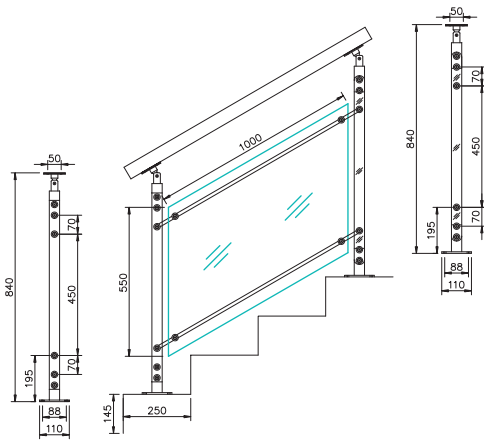
Orange Wooden Railing with 2 Inbound Wire Locators

Product code **9386**

UNSPSC code **30103100SD00013**

Features

- Orange finish wooden railing for aesthetic appeal
- Suitable for pipes and glass
- Suitable for handrails and midrails
- Surface mounted



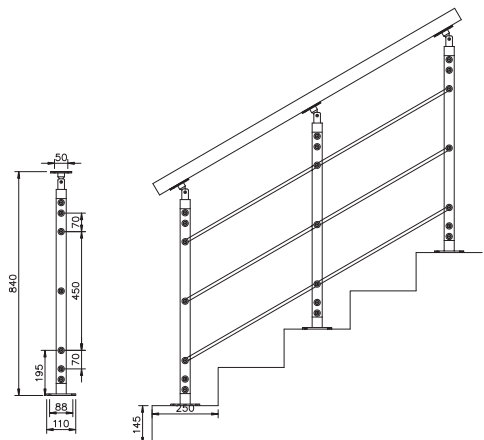
Black Wooden Railing with 3 Inbound Wire Locators

Product code **9387**

UNSPSC code **30103100SD00016**

Features

- Black finish wooden railing for aesthetic appeal
- Suitable for pipes
- Suitable for handrails and midrails
- Surface mounted





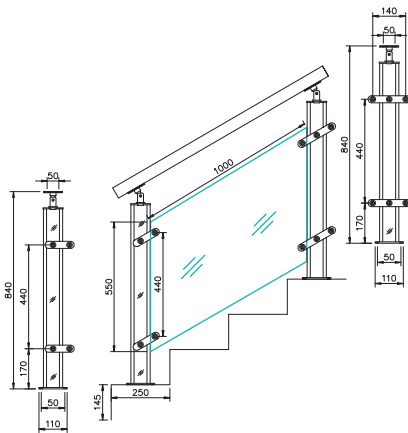
Wooden Railing with 2 Glass Holders

Product code **9388**

UNSPSC code **30103100SD00012**

Features

- Wooden railing for aesthetic appeal
- Suitable for glass structure
- Surface mounted



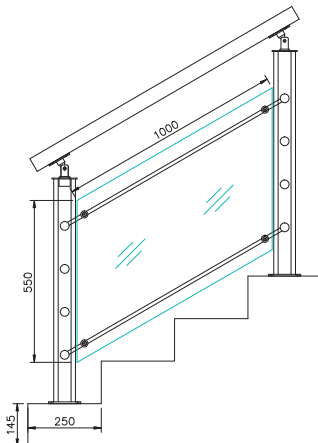
Wooden Railing with 4 Wire Locators

Product code **9389**

UNSPSC code **30103100SD00015**

Features

- Wooden railing for aesthetic appeal
- Suitable for pipes
- Suitable for handrails and midrails
- Surface mounted





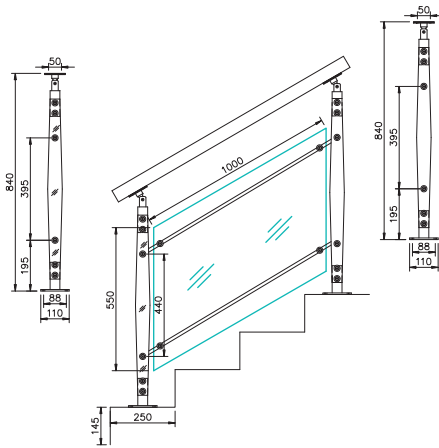
Blue Acrylic Oblong Railing with 2 Inbound Wire Locators

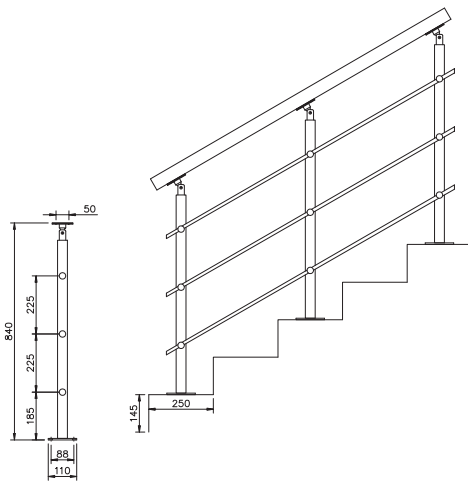
Product code **9392**

UNSPSC code **30103100SD00007**

Features

- Blue colour acrylic for aesthetic appeal
- Suitable for glass structure
- Suitable for handrails and midrails
- Surface mounted





SS Railing with 3 Wire Locators

Product code **8703**

UNSPSC code **30103100SD00008**

Features

- SS 304 balustrade for strength and high corrosion resistance
- Suitable for pipes
- Suitable for handrails and midrails
- Surface mounted

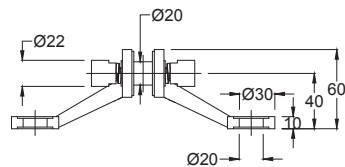
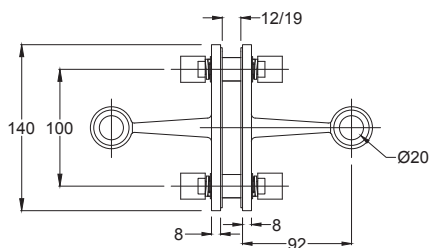
Within our dreams and aspirations,
we find our opportunities.

- *Sugar Ray Leonard*





- • Spider Fittings



2 Way Spider with Fin - 200

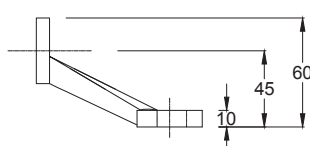
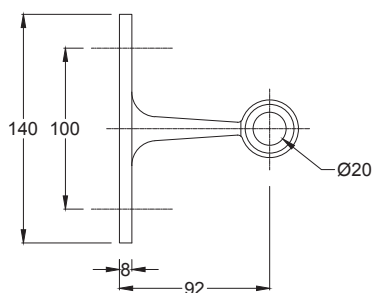
Product code **5539**

UNSPSC code **40141799SD00147**

Features

- Installed with routels
- Silicon rubber gasket and nylon bush prevent glass damage
- Fin provides firm holding to fin glass
- SS 316 material which makes fitting highly corrosion resistant
- Maximum façade thickness up to 15 mm and fin thickness up to 19 mm
- Available in matt and gloss finish

Product code	UNSPSC code	Finish
5539	40141799SD00147	Matt
5550	40141799SD00156	Gloss



1 Way Spider for Ceiling/Wall - 200

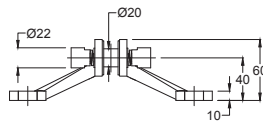
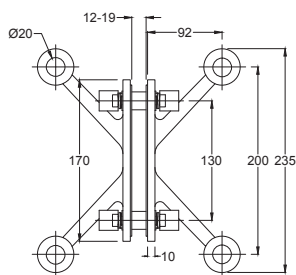
Product code **5540**

UNSPSC code **40141799SD00148**

Features

- Installed with routels
- For ceiling to glass installation
- SS 316 material which makes fitting highly corrosion resistant
- Supplied with anchor fasteners
- Maximum façade thickness up to 15 mm
- Available in matt and gloss finish

Product code	UNSPSC code	Finish
5540	40141799SD00148	Matt
5551	40141799SD00157	Gloss



4 Way Spider with Fin - 200

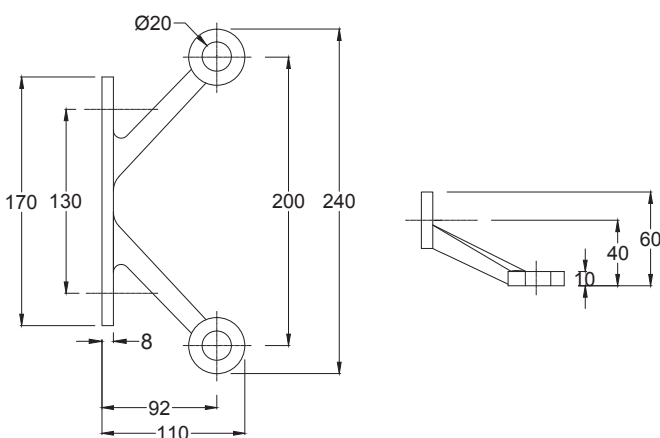
Product code **5543**

UNSPSC code **40141799SD00149**

Features

- Installed with routels
- Silicon rubber gasket and nylon bush prevent glass damage
- Fin provides firm holding to fin glass
- SS 316 material which makes fitting highly corrosion resistant
- Maximum façade thickness up to 15 mm and fin thickness up to 19 mm
- Available in matt and gloss finish

Product code	UNSPSC code	Finish
5543	40141799SD00149	Matt
5554	40141799SD00158	Gloss



2 Way Spider for Ceiling/Wall - 200

Product code **5544**

UNSPSC code **40141799SD00150**

Features

- Attached to fixed structure
- Installed with routels
- SS 316 material which makes fitting corrosion resistant
- Maximum façade thickness up to 15 mm
- Available in matt and gloss finish

Product code	UNSPSC code	Finish
5544	40141799SD00150	Matt
5555	40141799SD00159	Gloss



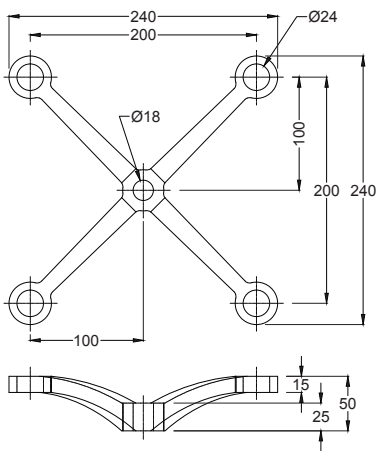
4 Way Spider without Fin - 200

Product code **5545**

UNSPSC code **40141799SD00151**

Features

- Attached to fixed structure
- Installed with routels
- SS 316 material which makes fitting corrosion resistant
- Maximum façade thickness up to 15 mm
- Available in matt and gloss finish



Product code	UNSPSC code	Finish
5545	40141799SD00151	Matt
5556	40141799SD00160	Gloss



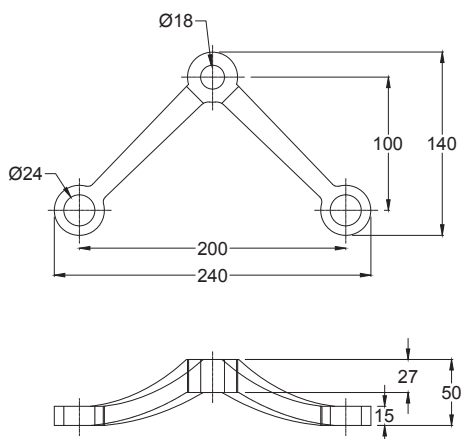
2 Way Spider without Fin 90 Deg - 200

Product code **5547**

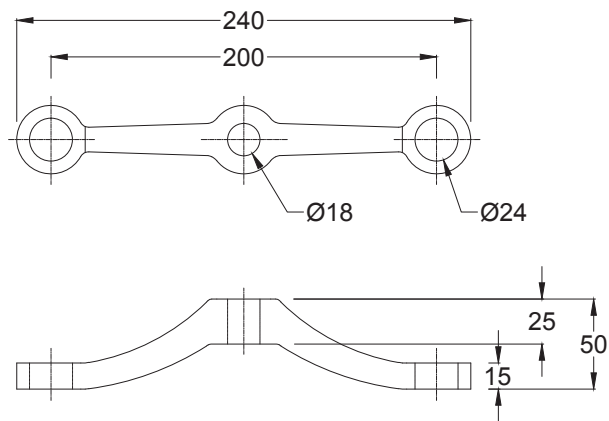
UNSPSC code **40141799SD00153**

Features

- Attached to fixed structure
- Installed with routels
- SS 316 material which makes fitting highly corrosion resistant
- Maximum façade thickness up to 15 mm
- Available in matt and gloss finish



Product code	UNSPSC code	Finish
5547	40141799SD00153	Matt
5558	40141799SD00162	Gloss



2 Way Spider without Fin 180 Deg - 200

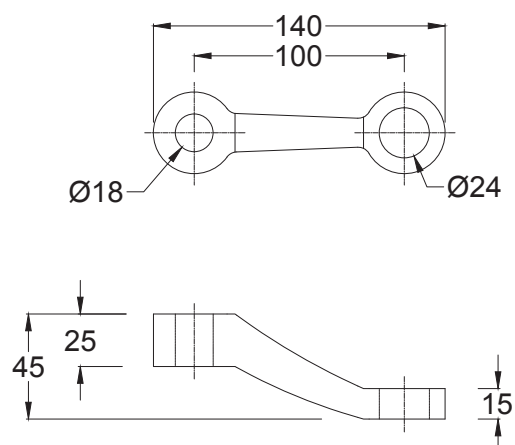
Product code **5548**

UNSPSC code **40141799SD00154**

Features

- Installed with routels
- SS 316 material which makes fitting highly corrosion resistant
- Maximum façade thickness up to 15 mm
- Available in matt and gloss finish

Product code	UNSPSC code	Finish
5548	40141799SD00154	Matt
5559	40141799SD00163	Gloss



1 Way Spider without Fin - 200

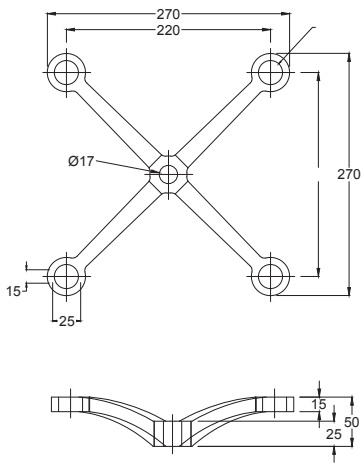
Product code **5549**

UNSPSC code **40141799SD00155**

Features

- Attached to fixed structure
- Installed with routels
- SS 316 material which makes fitting highly corrosion resistant
- Maximum façade thickness up to 15 mm
- Available in matt and gloss finish

Product code	UNSPSC code	Finish
5549	40141799SD00155	Matt
5560	40141799SD00164	Gloss



4 Way Spider without Fin - 220

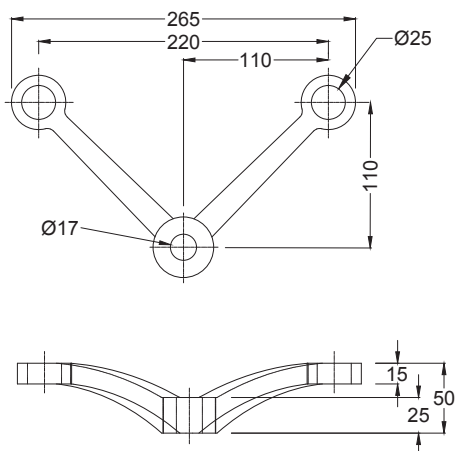
Product code **5561**

UNSPSC code **40141799SD00165**

Features

- Centre distance of 220 mm
- Attached to fixed structure
- Installed with routels
- SS 316 material which makes fitting highly corrosion resistant
- Available in matt and gloss finish

Product code	UNSPSC code	Finish
5561	40141799SD00165	Matt
5566	40141799SD00170	Gloss



2 Way Spider without Fin 90 Deg - 220

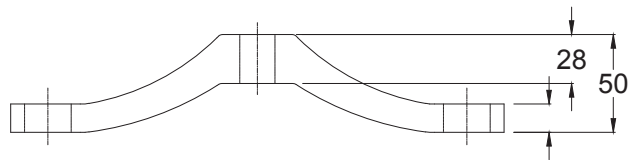
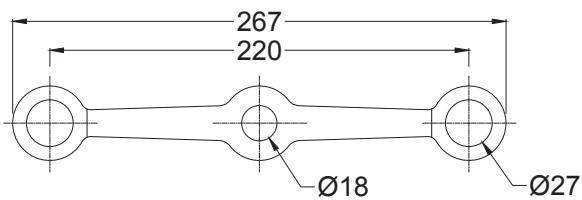
Product code **5563**

UNSPSC code **40141799SD00167**

Features

- Centre distance of 220 mm
- Attached to fixed structure
- Installed with routels
- SS 316 material which makes fitting highly corrosion resistant
- Available in matt and gloss finish

Product code	UNSPSC code	Finish
5563	40141799SD00167	Matt
5568	40141799SD00172	Gloss



2 Way Spider without Fin 180 Deg - 220

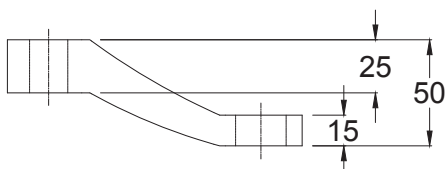
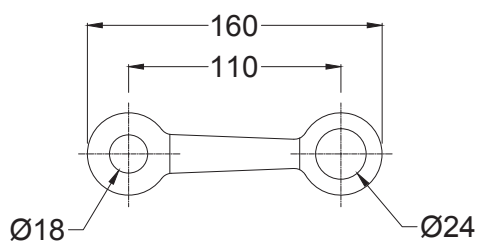
Product code **5564**

UNSPSC code **40141799SD00168**

Features

- Centre distance of 220 mm
- Attached to fixed structure
- Installed with routels
- SS 316 material which makes fitting highly corrosion resistant
- Available in matt and gloss finish

Product code	UNSPSC code	Finish
5564	40141799SD00168	Matt
5569	40141799SD00173	Gloss



1 Way Spider without Fin - 220

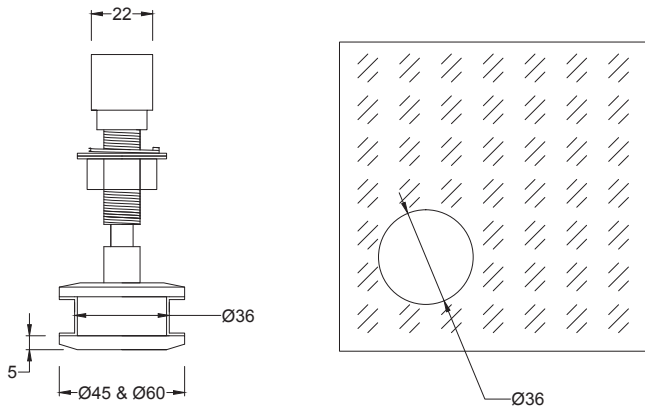
Product code **5565**

UNSPSC code **40141799SD00169**

Features

- Centre distance of 220 mm
- Attached to fixed structure
- Installed with routels
- SS 316 material which makes fitting highly corrosion resistant
- Available in matt and gloss finish

Product code	UNSPSC code	Finish
5565	40141799SD00169	Matt
5570	40141799SD00174	Gloss



Articulate Bolt

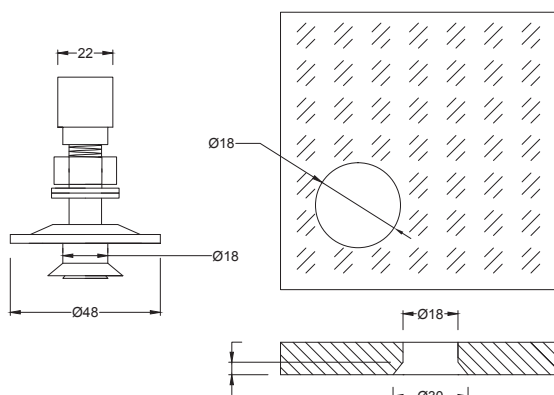
Product code **5571**

UNSPSC code **40141799SD00175**

Features

- Counter Sunk Head Bolt
- Teflon washer to prevent glass damage
- Adjustable up to 15 mm façade thickness
- SS 316 material which makes fitting corrosion resistant
- Available in matt and gloss finish

Product code	UNSPSC code	Finish
5571	40141799SD00175	Matt
5576	40141799SD00180	Gloss



Fixed Bolt (Counter Sunk Head)

Product code **5572**

UNSPSC code **40141799SD00176**

Features

- Counter Sunk Head Bolt
- Teflon washer to prevent glass damage
- Adjustable up to 15 mm façade thickness
- SS 316 material which makes fitting corrosion resistant
- Available in matt and gloss finish

Product code	UNSPSC code	Finish
5572	40141799SD00176	Matt
5577	40141799SD00181	Gloss



Fixed Bolt (Flat Head)

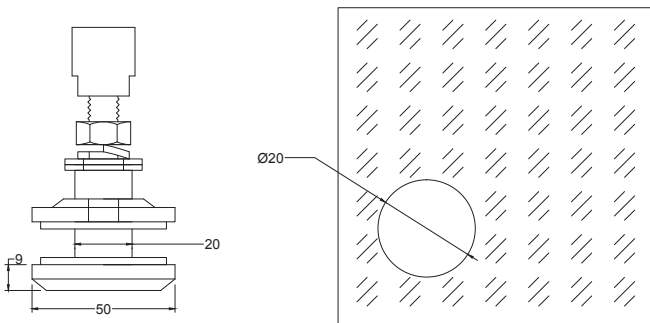
Product code **5573**

UNSPSC code **40141799SD00177**

Features

- Counter Flat Head Bolt
- Teflon washer to prevent glass damage
- Adjustable up to 15 mm façade thickness
- SS 316 material which makes fitting corrosion resistant
- Available in matt and gloss finish

Product code	UNSPSC code	Finish
5573	40141799SD00177	Matt
5578	40141799SD00182	Gloss



Holder for w/o Fin Spider

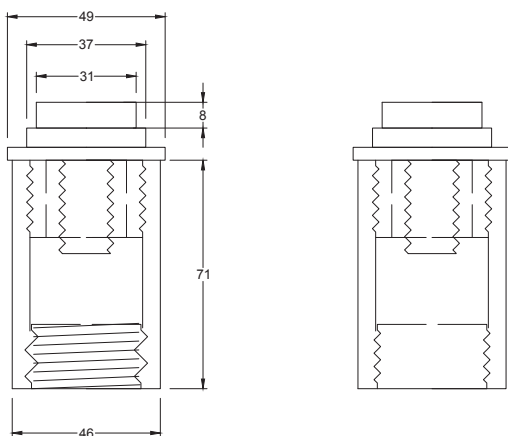
Product code **5574**

UNSPSC code **40141799SD00178**

Features

- Ensure proper gripping without fin spiders
- Bottom part MS for welding compatibility with MS structure
- Top part stainless steel for better aesthetics (SS 304)

Product code	UNSPSC code	Finish
5574	40141799SD00178	Matt
5579	40141799SD00183	Gloss





Holder for w/o Fin Spider (SS316)

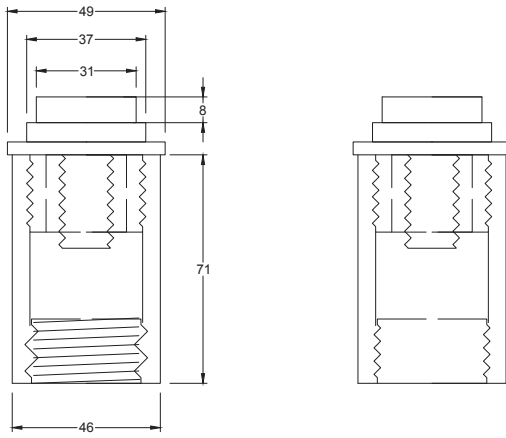
Product code **5575**

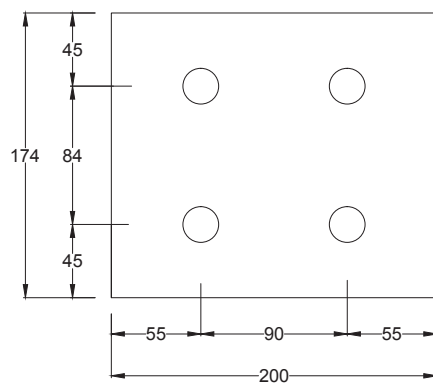
UNSPSC code **40141799SD00179**

Features

- Ensure proper gripping without fin spiders
- Base and top part made of complete SS 316

Product code	UNSPSC code	Finish
5575	40141799SD00179	Matt
5580	40141799SD00184	Gloss





Glass Hole Diameter = \varnothing 22mm

Splice Plate 200 mm

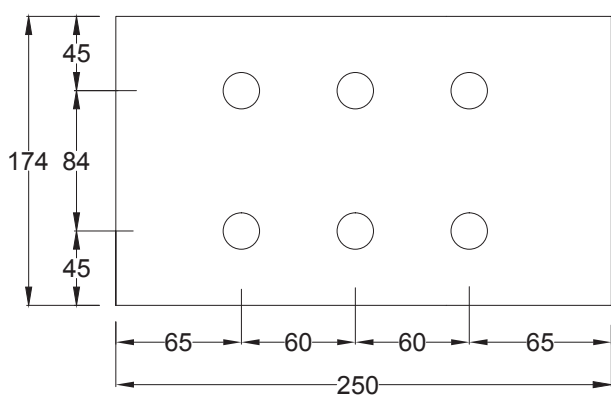
Product code **5581**

UNSPSC code **40141799SD00185**

Features

- Splice Plate 200 mm
- Two point holding with each fin part
- Silicon rubber gasket and nylon bush prevent glass damage
- SS 304 material which makes fitting corrosion resistant
- Available in matt and gloss finish

Product code	UNSPSC code	Finish
5581	40141799SD00185	Matt
5586	40141799SD00190	Gloss



Glass Hole Diameter = \varnothing 22mm

Splice Plate 250 mm

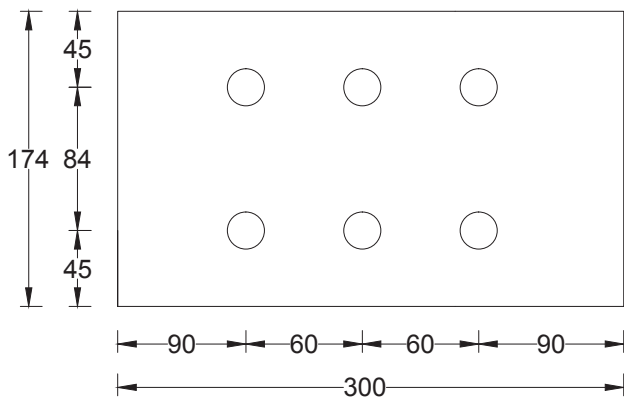
Product code **5582**

UNSPSC code **40141799SD00186**

Features

- Splice Plate 250 mm
- Three point holding with each fin part
- Silicon rubber gasket and nylon bush prevent glass damage
- SS 304 material which makes fitting corrosion resistant
- Available in matt and gloss finish

Product code	UNSPSC code	Finish
5582	40141799SD00186	Matt
5587	40141799SD00191	Gloss



Glass Hole Diameter = Ø22mm

Splice Plate 300 mm

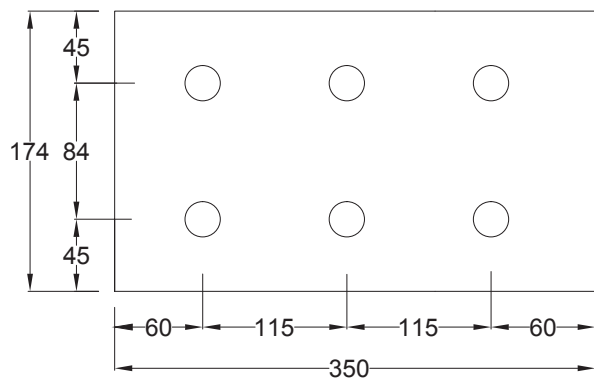
Product code **5583**

UNSPSC code **40141799SD00187**

Features

- Splice P late 300 mm
- Three point holding with each fin part
- Silicon rubber gasket and nylon bush prevent glass damage
- SS 304 material which makes fitting corrosion resistant
- Available in matt and gloss finish

Product code	UNSPSC code	Finish
5583	40141799SD00187	Matt
5588	40141799SD00192	Gloss



Glass Hole Diameter = Ø22mm

Splice Plate 350 mm

Product code **5584**

UNSPSC code **40141799SD00188**

Features

- Splice Plate 350 mm
- Three point holding with each fin part
- Silicon rubber gasket and nylon bush prevent glass damage
- SS 304 material which makes fitting corrosion resistant
- Available in matt and gloss finish

Product code	UNSPSC code	Finish
5584	40141799SD00188	Matt
5589	40141799SD00193	Gloss



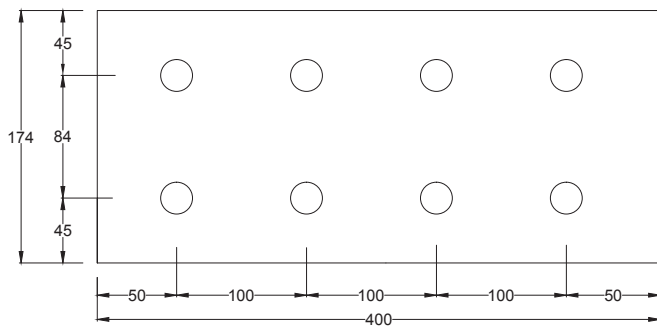
Splice Plate 400 mm

Product code **5585**

UNSPSC code **40141799SD00189**

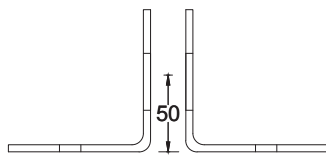
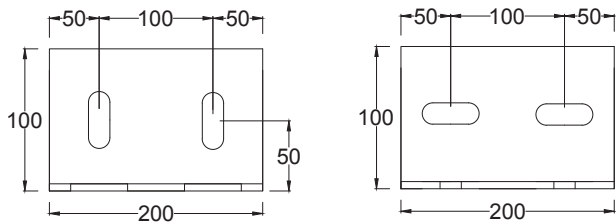
Features

- Splice Plate 400 mm
- Four point holding with each fin part
- Silicon rubber gasket and nylon bush prevent glass damage
- SS 304 material which makes fitting corrosion resistant
- Available in matt and gloss finish



Glass Hole Diameter = $\varnothing 22\text{mm}$

Product code	UNSPSC code	Finish
5585	40141799SD00189	Matt
5590	40141799SD00194	Gloss



Ovalhole Size 15X40 mm

Fin Plate 200 mm

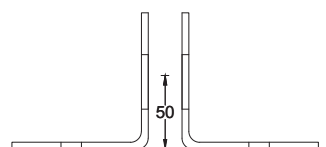
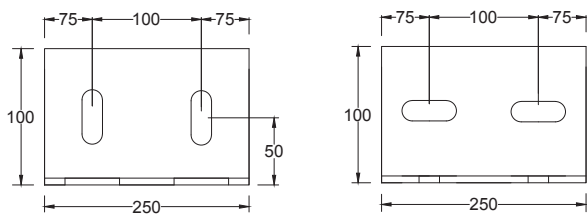
Product code **5591**

UNSPSC code **40141799SD00195**

Features

- Fin Plate 200 mm
- Two point holding of fin
- Elongated holes allow installation flexibility
- Silicon rubber gasket and nylon bush prevent glass damage
- Flat base to hold strongly with floor or ceiling
- SS 304 material which makes fitting corrosion resistant
- Available in matt and gloss finish

Product code	UNSPSC code	Finish
5591	40141799SD00195	Matt
5596	40141799SD00200	Gloss



Ovalhole Size 15X40 mm

Fin Plate 250 mm

Product code **5592**

UNSPSC code **40141799SD00196**

Features

- Fin Plate 250 mm
- Two point holding of fin
- Elongated holes allow installation flexibility
- Silicon rubber gasket and nylon bush prevent glass damage
- Flat base to hold strongly with floor or ceiling
- SS 304 material which makes fitting corrosion resistant
- Available in matt and gloss finish

Product code	UNSPSC code	Finish
5592	40141799SD00196	Matt
5597	40141799SD00201	Gloss



Fin Plate 300 mm

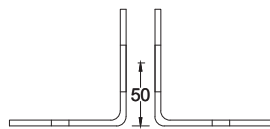
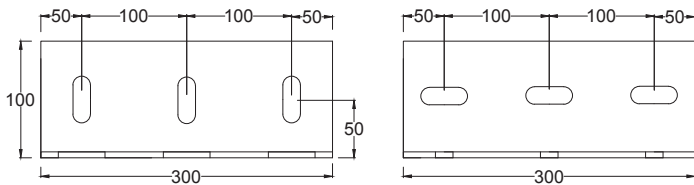
Product code **5593**

UNSPSC code **40141799SD00197**

Features

- Fin Plate 300 mm
- Three point holding of fin
- Elongated holes allow installation flexibility
- Silicon rubber gasket and nylon bush prevent glass damage
- Flat base to hold strongly with floor or ceiling
- SS 304 material which makes fitting corrosion resistant
- Available in matt and gloss finish

Product code	UNSPSC code	Finish
5593	40141799SD00197	Matt
5598	40141799SD00202	Gloss



Ovalhole Size 15X40 mm



Fin Plate 350 mm

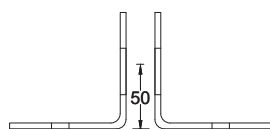
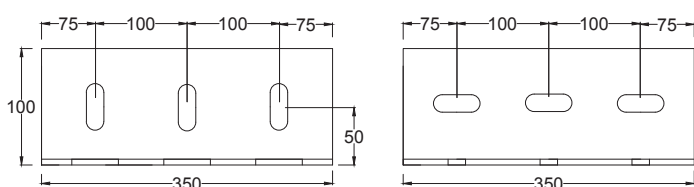
Product code **5594**

UNSPSC code **40141799SD00198**

Features

- Fin Plate 350 mm
- Three point holding of fin
- Elongated holes allow installation flexibility
- Silicon rubber gasket and nylon bush prevent glass damage
- Flat base to hold strongly with floor or ceiling
- SS 304 material which makes fitting corrosion resistant
- Available in matt and gloss finish

Product code	UNSPSC code	Finish
5594	40141799SD00198	Matt
5599	40141799SD00203	Gloss



Ovalhole Size 15X40 mm



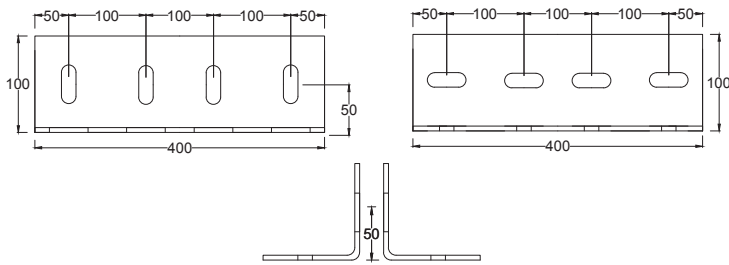
Fin Plate 400 mm

Product code **5595**

UNSPSC code **40141799SD00199**

Features

- Fin Plate 400 mm
- Three point holding of fin
- Elongated holes allow installation flexibility
- Silicon rubber gasket and nylon bush prevent glass damage
- Flat base to hold strongly with floor or ceiling
- SS 304 material which makes fitting corrosion resistant
- Available in matt and gloss finish



Product code	UNSPSC code	Finish
5595	40141799SD00199	Matt
5600	40141799SD00204	Gloss



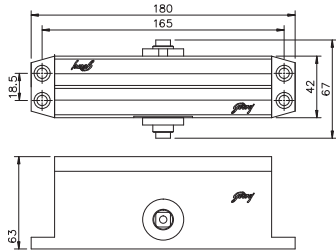


- • Door Closers

New Door Closer C071

Product code **6800**

UNSPSC code **30171514SD00063**



Maximum door weight	60 kg
Maximum door width	1000 mm
Product dimensions (LxWxH)	180x67x63
Finish	Silver
Power size	2
Adj. latching speed	Yes
Adj. closing speed	Yes
Back check	No
Delayed action	No
Hold open	No
Lifecycles	1 lakh
UL listing	No
EN rating	No
Fire rating	No

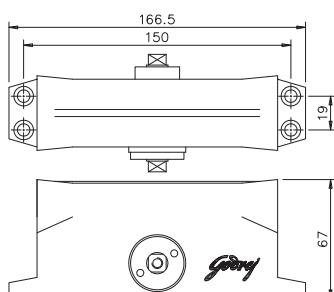
Features

- Adjustable closing and latching speed
- Can be mounted in left/right, inside/outside
- Suitable for 1000 mm width and 60 kg weight
- Fixed power size - 2
- Maximum closing moment - 22 Nm

Door Closer C102

Product code **8340**

UNSPSC code **30171514SD00010**



Maximum door weight	60 kg
Maximum door width	950 mm
Product dimensions (LxWxH)	166.5x48x67
Finish	Silver
Power size	3
Adj. latching speed	No
Adj. closing speed	Yes
Back check	No
Delayed action	No
Hold open	No
Lifecycles	1 lakh
UL listing	No
EN rating	No
Fire rating	No

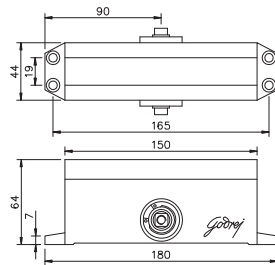
Features

- Single speed door closer
- Adjustable closing speed
- Can be mounted in left/right, inside/outside
- Suitable for 950 mm width and 60 kg weight
- Fixed power size - 3
- Maximum closing moment - 18 Nm

Door Closer Heavy Duty

Product code **1938**

UNSPSC code **30171514SD00004**



Maximum door weight	60 kg
Maximum door width	950 mm
Product dimensions (LxWxH)	180x44x64
Finish	Silver
Power size	3
Adj. latching speed	Yes
Adj. closing speed	Yes
Back check	No
Delayed action	No
Hold open	No
Lifecycles	5 lakh
UL listing	Yes
EN rating	No
Fire rating	No

Features

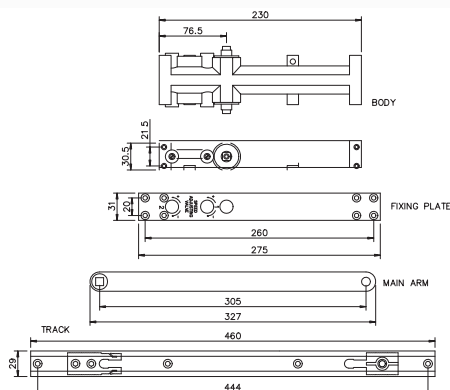
- Adjustable closing and latching speed
- Can be mounted in left/right, inside/outside
- Suitable for 950 mm width and 60 kg weight
- Fixed power size - 3
- Maximum closing moment - 26 Nm
- Heavy duty application & optional hold open function



Door Closer Concealed C380

Product code **3798**

UNSPSC code **30171514SD00009**



Maximum door weight	60 kg
Maximum door width	950 mm
Product dimensions (LxWxH)	230x30.5x76.5
Finish	Silver
Power size	3
Adj. latching speed	Yes
Adj. closing speed	Yes
Back check	No
Delayed action	No
Hold open	Yes
Lifecycles	1 lakh
UL listing	No
EN rating	No
Fire rating	No

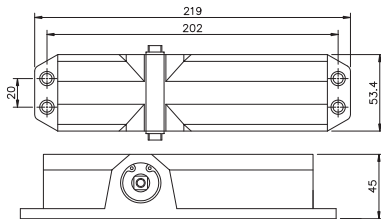
Features

- Adjustable closing and latching speed
- Can be mounted in left/right, inside/outside
- Suitable for 950 mm width and 60 kg weight
- Fixed power size - 3
- Maximum closing moment - 18 Nm
- Track arm
- Suitable for minimum door thickness of 42 mm
- Concealed door closer

Door Closer C680

Product code **8156**

UNSPSC code **30171514SD00041**



Maximum door weight	80 kg
Maximum door width	1100 mm
Product dimensions (LxWxH)	219x45x53.4
Finish	Silver
Power size	2-4
Adj. latching speed	Yes
Adj. closing speed	Yes
Back check	No
Delayed action	No
Hold open	No
Lifecycles	5 lakh
UL listing	No
EN rating	Yes
Fire rating	Yes

Features

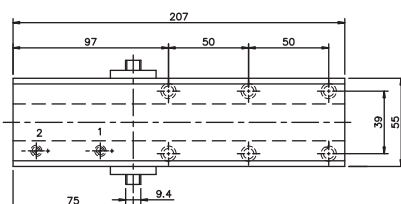
- Adjustable closing and latching speed
- Can be mounted in left/right, inside/outside
- Suitable for 850 to 1100 mm width and 40 to 80 kg weight
- Variable power size - 2 to 4
- Maximum closing moment - 13 to 26 Nm
- EN 1154 Certified, CE Marked
- Certified under IS 3614 Part 2 and BS 476 Part 20 & 22 for Fire rating



Door Closer T72V

Product code **7880**

UNSPSC code **30171514SD00057**



Maximum door weight	80 kg
Maximum door width	1100 mm
Product dimensions (LxWxH)	207x55x38.5
Finish	Silver
Power size	2-4
Adj. latching speed	Yes
Adj. closing speed	Yes
Back check	No
Delayed action	No
Hold open	No
Lifecycles	5 lakh
UL listing	No
EN rating	Yes
Fire rating	Yes

Features

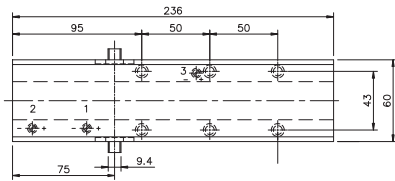
- Adjustable closing and latching speed
- Can be mounted in left/right, inside/outside
- Suitable for 850 to 1100 mm width and 40 to 80 kg weight
- Variable power size - 2 to 4
- Maximum closing moment - 13 to 26 Nm
- EN 1154 Certified, CE Marked



Door Closer T834

Product code **7899**

UNSPSC code **30171514SD00064**



Maximum door weight	80 kg
Maximum door width	1100 mm
Product dimensions (LxWxH)	236x60x38.5
Finish	Silver
Power size	2-4
Adj. latching speed	Yes
Adj. closing speed	Yes
Back check	Yes
Delayed action	No
Hold open	No
Lifecycles	5 lakh
UL listing	No
EN rating	Yes
Fire rating	Yes

Features

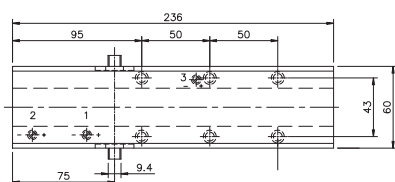
- Adjustable closing and latching speed
- Can be mounted in left/right, inside/outside
- Suitable for 850 to 1100 mm width and 40 to 80 kg weight
- Variable power size - 2 to 4
- Maximum closing moment - 13 to 26 Nm
- Built-in back check function
- EN 1154 Certified, CE Marked



Door Closer T83H

Product code **7881**

UNSPSC code **30171514SD00058**



Maximum door weight	100 kg
Maximum door width	1250 mm
Product dimensions (LxWxH)	236x60x38.5
Finish	Silver
Power size	2-5
Adj. latching speed	Yes
Adj. closing speed	Yes
Back check	Yes
Delayed action	No
Hold open	No
Lifecycles	5 lakh
UL listing	No
EN rating	Yes
Fire rating	Yes

Features

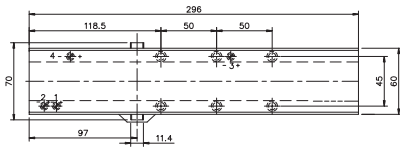
- Adjustable closing and latching speed
- Can be mounted in left/right, inside/outside
- Suitable for 850 to 1250 mm width and 40 to 100 kg weight
- Variable power size - 2 to 5
- Maximum closing moment - 13 to 37 Nm
- Built-in back check function
- EN 1154 Certified, CE Marked



Door Closer T83J

Product code **7882**

UNSPSC code **30171514SD00059**



Maximum door weight	120 kg
Maximum door width	1400 mm
Product dimensions (LxWxH)	296x60x48.3
Finish	Silver
Power size	2-6
Adj. latching speed	Yes
Adj. closing speed	Yes
Back check	Yes
Delayed action	Yes
Hold open	No
Lifecycles	5 lakh
UL listing	No
EN rating	Yes
Fire rating	Yes

Features

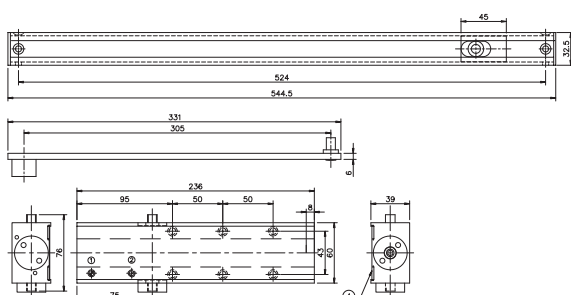
- Adjustable closing and latching speed
- Can be mounted in left/right, inside/outside
- Suitable for 850 to 1400 mm width and 40 to 120 kg weight
- Variable power size - 2 to 6
- Maximum closing moment - 13 to 54 Nm
- Back check function
- Delayed action function
- EN 1154 Certified, CE Marked



Door Closer T610

Product code **7883**

UNSPSC code **30171514SD00060**



Maximum door weight	60 kg
Maximum door width	950 mm
Product dimensions (LxWxH)	236x60x38.5
Finish	Silver
Power size	3
Adj. latching speed	Yes
Adj. closing speed	Yes
Back check	No
Delayed action	No
Hold open	No
Lifecycles	5 lakh
UL listing	No
EN rating	Yes
Fire rating	Yes

Features

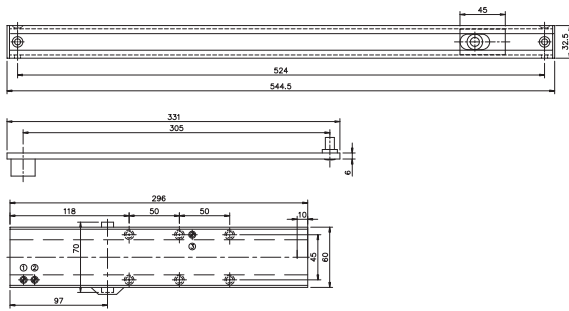
- Adjustable closing and latching speed
- Can be mounted in left/right, inside/outside
- Suitable for 950 mm width and 60 kg weight
- Fixed power size - 3
- Maximum closing moment - 18 Nm
- Track arm door closer
- EN 1154 Certified, CE Marked



Door Closer T620

Product code **7884**

UNSPSC code **30171514SD00061**



Maximum door weight	80 kg
Maximum door width	1100 mm
Product dimensions (LxWxH)	296x60x48.2
Finish	Silver
Power size	2-4
Adj. latching speed	Yes
Adj. closing speed	Yes
Back check	No
Delayed action	No
Hold open	No
Lifecycles	5 lakh
UL listing	No
EN rating	Yes
Fire rating	Yes

Features

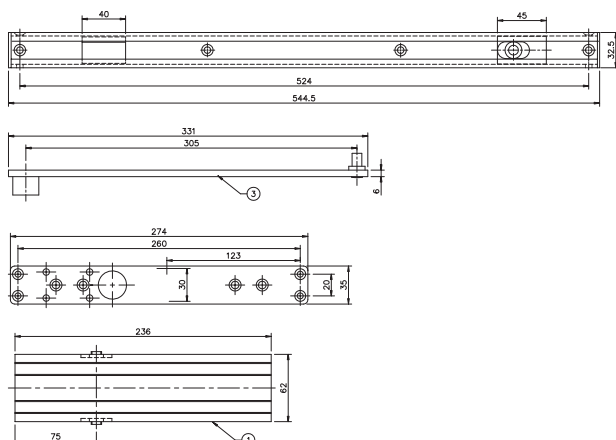
- Adjustable closing and latching speed
- Can be mounted in left/right, inside/outside
- Suitable for 850 to 1100 mm width and 40 to 80 kg weight
- Variable power size - 2 to 4
- Maximum closing moment - 26 Nm
- Track arm door closer
- EN 1154 Certified, CE Marked



Door Closer Concealed T660

Product code **7885**

UNSPSC code **30171514SD00062**



Maximum door weight	60 kg
Maximum door width	950 mm
Product dimensions (LxWxH)	236x35x62
Finish	Silver
Power size	3
Adj. latching speed	Yes
Adj. closing speed	Yes
Back check	No
Delayed action	No
Hold open	No
Lifecycles	5 lakh
UL listing	No
EN rating	Yes
Fire rating	Yes

Features

- Adjustable closing and latching speed
- Can be mounted in left/right, inside/outside
- Suitable for 850 to 1100 mm width and 40 to 80 kg weight
- Fixed power size - 3
- Maximum closing moment - 18 Nm
- Track arm
- EN 1154 Certified, CE Marked
- Concealed door closer



Door closer 80-120kg

Product code **5750**

UNSPSC code **30171514SD00170**



Maximum door weight	120 kg
Maximum door width	1370 mm
Product dimensions (LxWxH)	248x72x78
Finish	Silver
Power size	2-5
Adj. latching speed	Yes
Adj. closing speed	Yes
Back check	No
Delayed action	No
Hold open	No
Lifecycles	3 lakh
UL listing	Yes
EN rating	No
Fire rating	No

Features

- Adjustable closing and latching speed
- Can be mounted in left/right, inside/outside
- Suitable for 1370mm width and 120kg weight
- Variable power size – 2 to 5
- Maximum closing moment: 13 to 49 Nm



Hercules Door Closer

Product code **5959**

UNSPSC code **30171514SD00052**

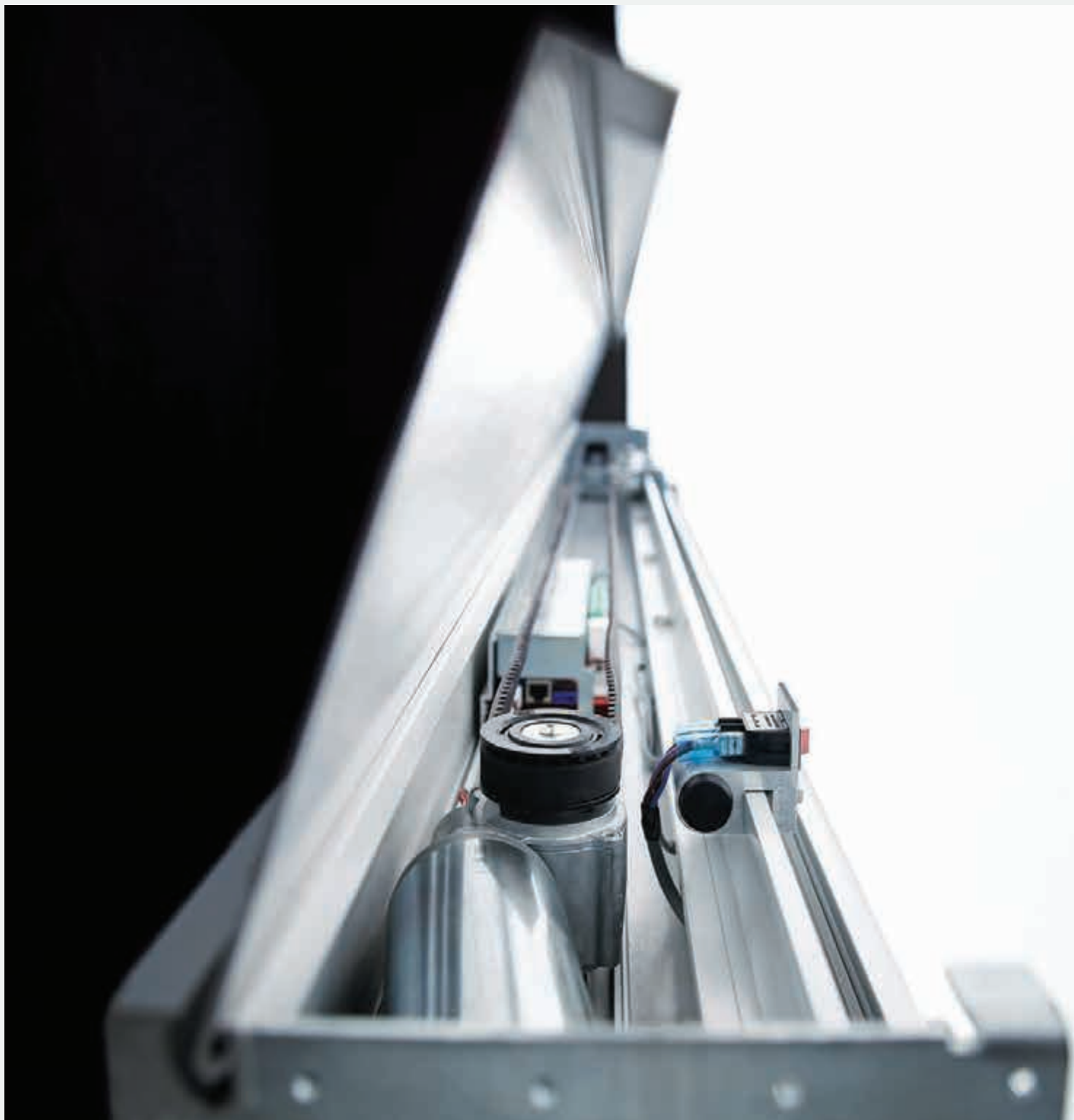


Maximum door weight	60 kg
Maximum door width	950 mm
Product dimensions (LxWxH)	140x61x59
Finish	Silver
Power size	3
Adj. latching speed	Yes
Adj. closing speed	Yes
Back check	No
Delayed action	No
Hold open	No
Lifecycles	1 lakh
UL listing	No
EN rating	No
Fire rating	No

Features

- Handcrafted and manufactured by Godrej
- Adjustable closing and latching speed
- Can be mounted in left/right, inside/outside
- Suitable for 950 mm width and 60 kg weight
- Maximum closing moment: 15 Nm





- • Automatic Doors



Door Automatic ST25 D - 4200 mm

Product code **5089**

UNSPSC code **30171510SD00009**

Features

- 3 Million cycles tested
- Aesthetically superior anodized aluminum cover also protects from outside dust & water
- Very small gap between fixed glass and moving glass minimizes air conditioning losses
- Adjustable opening and closing speed and hold open timing
- Opens 100 mm automatically for safety during power failure
- Anti bumping feature
- Maximum power consumption of 100 Watts
- Input supply: 240 Volts
- Battery backup option



Door Automatic ST25 D - 5200 mm

Product code **4298**

UNSPSC code **30171510SD00017**

Features

- 3 Million cycles tested
- Aesthetically superior anodized aluminum cover also protects from outside dust & water
- Very small gap between fixed glass and moving glass minimizes air conditioning losses
- Adjustable opening and closing speed and hold open timing
- Opens 100 mm automatically for safety during power failure
- Anti bumping feature
- Maximum power consumption of 100 Watts
- Input supply: 240 Volts
- Battery backup option



Door Automatic ST25 D - 6200 mm

Product code **4135**

UNSPSC code **30171510SD00018**

Features

- 3 Million cycles tested
- Aesthetically superior anodized aluminum cover also protects from outside dust & water
- Very small gap between fixed glass and moving glass minimizes air conditioning losses
- Adjustable opening and closing speed and hold open timing
- Opens 100 mm automatically for safety during power failure
- Anti bumping feature
- Maximum power consumption of 100 Watts
- Input supply: 240 Volts
- Battery backup option



Safety Sensor

Product code **9009**

UNSPSC code **30171510PA00002**

Features

- Senses motion of objects or persons through the door
- In case of slow moving objects or kids, this sensor ensures safety by keeping the door open till the path is clear
- Small and slender unit enables neat and hassle-free installation
- For technical details, refer table A



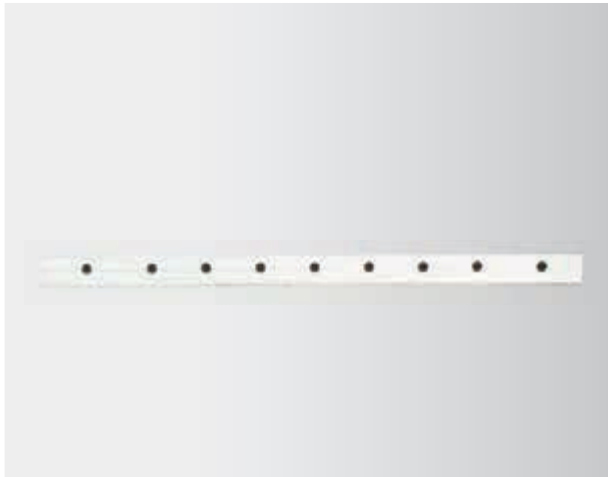
The Upper Sensor

Product code **4079**

UNSPSC code **30171510PA00002**

Features

- Active infrared motion and presence detection
- Wide operating temperature range of - 20°C to + 60°C
- Adjustable detection angle and width



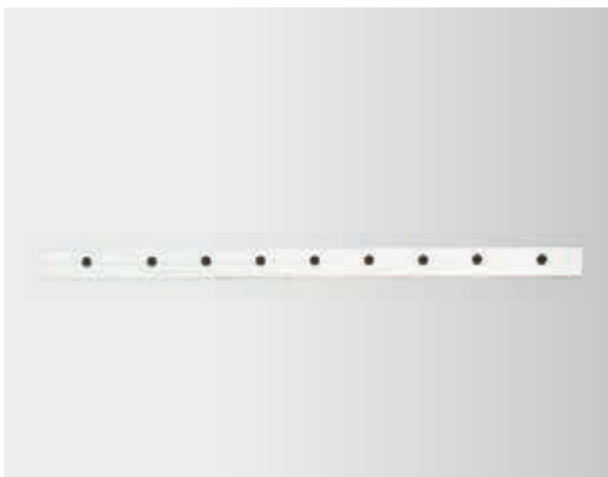
Auto Door Clamp 1000 mm

Product code > **5090**

UNSPSC code > **40141799SD00207**

Features

- Made of aluminum with painted silver finish
- Does not require glass cut-out



Auto Door Clamp 1500 mm

Product code > **4316**

UNSPSC code > **40141799SD00242**

Features

- Made of aluminum with painted silver finish
- Does not require glass cut-out

TABLE A

Technical Data			
Length of operator	4200 mm	5200 mm	6200 mm
Model Name	ST25D	ST25D	ST25D
Max. Door Weight	130 kg x 1 120 kg x 2	130 kg x 1 120 kg x 2	130 kg x 1 120 kg x 2
Clear Passage Length	Max. 2050 mm	Max. 2550 mm	Max. 3050 mm
Clear Passage Height	No Limit (but must consider door weight and door width) 2100 mm - 3000 mm		
Power Consumption	100 Watts		
Power Supply Factory	Set: 180 - 240V (110V; on demand) (SMPS Type)		
Open/Close Speed	(Door Weight: 70 kg) Open Speed 135 mm/sec - 550 mm/sec		
Close Speed	75 mm/sec - 350 mm/sec		
Open Hold Time	Max .999 seconds		
Power Failure	Adjustable: 1. No open 2. 100 mm open 3. Full open (option battery pack)		
Certifications	Lifecycle tests 3 million (3,000,000) cycling test pass		

Product Components Name	ST25D - 4.2 m	ST25D - 5.2 m	ST25D - 6.2 m
Length of operator	4200 mm	5200 mm	6200 mm
Motor	From Germany (Drunkermotor)		
Controller	PI (Proportional - Integral) Control		
Upper Sensor	Motion Sensor		
Safety Sensor	Safety sensor eye		
Hanger Roller	4	4	4
Guide Roller	1	2	2
Switch cum stopper	1	1	1
Timing Belt	7.4 m	9.4 m	11.4 m
Idle Pulley	1	1	1
Single Belt Connector	1	1	1
Double Belt Connector	1	1	1
Aluminium Rail	4.2 m (box & cover)	5.2 m (box & cover)	6.2 m (box & cover)
Side Bracket	2	2	2
Control Jack	1	1	1
Cable Clip	8	10	10
Stopper	1	1	1
Availability of above models			
Optional	✓	✓	✓
Touch Switch	✓	✓	✓
Switch for Handicapped	✓	✓	✓
Card Reader	✓	✓	✓

FIRE
EXIT





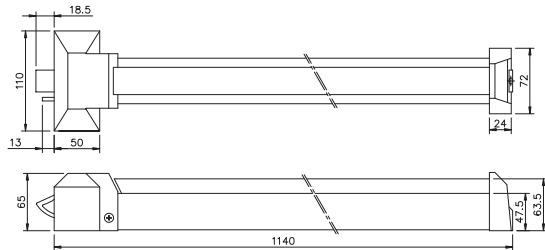
- ● Panic Bars



Single Point Panic Bar

Product code **9692**

UNSPSC code **31162808SD00002**



Features

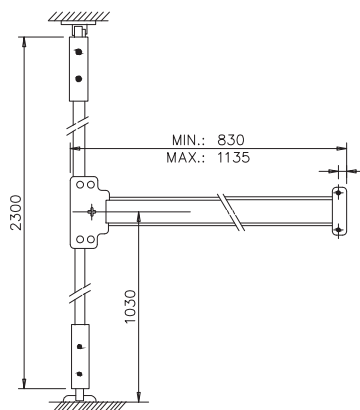
- UL listed panic bar for fire resistance up to 1.5 hrs
- Suitable for inside opening and outside opening doors
- Full length touch bar assures sufficient use of panic bar even in extreme darkness
- Rounded edge design to avoid injury when in operation
- Maximum door length of 1140 mm



Two Point Panic Bar

Product code **7846**

UNSPSC code **31162808SD00003**



Features

- UL listed panic bar for fire resistance up to 1.5 hrs
- Suitable for inside opening and outside opening doors
- Full length touch bar assures sufficient use of panic bar even in extreme darkness
- Rounded edge design to avoid injury when in operation
- Maximum door length of 1140 mm and height up to 2300 mm



Single point panic bar

Product code **5063**

UNSPSC code **31162808SD00014**

Features

- CE rated panic bar with 120 minutes fire rated
- EN 1125 & EN 1634 approved panic bar
- Suitable for Inside opening and outside opening doors
- Modular design for non handed applications
- Maximum door width upto 1500mm

CE



Double point panic bar

Product code **5064**

UNSPSC code **31162808SD00015**

Features

- CE rated panic bar with 120 minutes fire rated
- EN 1125 & EN 1634 approved panic bar
- Suitable for Inside opening and outside opening doors
- Modular design for non handed applications
- Maximum door width upto 1500 mm
- Maximum door height upto 2133 mm

CE



Panic Bar-CMPA004 (CE)

Product code **5065**

UNSPSC code **31162808SD00016**

Features

- EN1634 fire rated
- SS304 exit trim for durability
- Locking mechanism to restrict entry
- Maximum door thickness of 50mm

CE



Escutcheon trim

Product code **5066**

UNSPSC code **31162808SD00017**

Features

- EN1634 fire rated
- SS304 exit trim for durability
- Locking mechanism to restrict entry
- Maximum door thickness of 50mm



Exit Trim (Lever)

Product code **8146**

UNSPSC code **31162808SD00004**

Features

- Patented design
- SS 304 Exit Trim for durability
- Locking mechanism to restrict entry
- Passage mode facility available
- Maximum door thickness of 55 mm



Exit Trim

Product code **3695**

UNSPSC code **31162808SD00005**

Features

- Patented design
- SS 304 Exit Trim for durability
- Locking mechanism to restrict entry
- Passage mode facility available
- Maximum door thickness of 55 mm



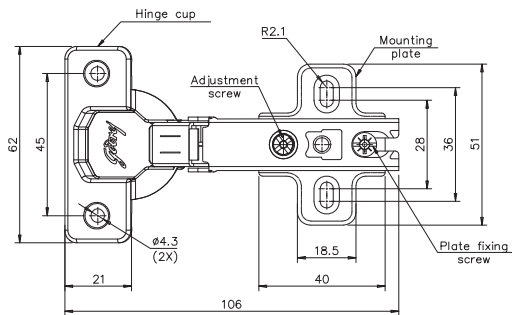


- ● Furniture Fittings

Slip-on Cabinet Hinge - Full Overlay

Product code **7213**

UNSPSC code **31162403SD00094**



Maximum shutter size (HxW) **34" x 22"**

Maximum opening angle **105 degrees**

Diameter of cup **ø35 mm**

Hinge cup depth **11.5 mm**

Suitable for panel thickness **17 to 21 mm**

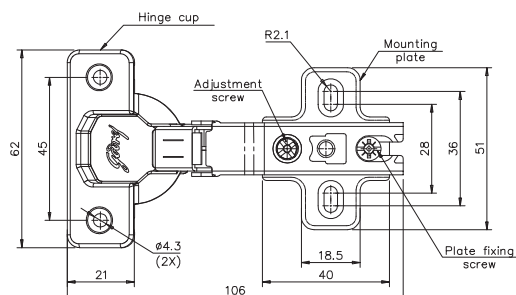
Features

- Slip-on arrangement for smooth mounting
- Nickel plated for high corrosion resistance

Slip-on Cabinet Hinge - Half Overlay

Product code **7214**

UNSPSC code **31162403SD00129**



Maximum shutter size (HxW) **34" x 22"**

Maximum opening angle **105 degrees**

Diameter of cup **ø35 mm**

Hinge cup depth **11.5 mm**

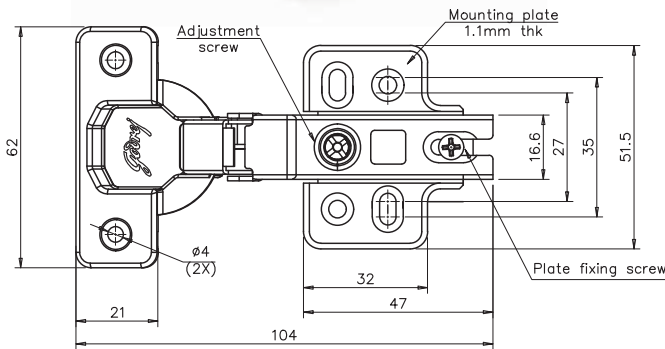
Suitable for panel thickness **17 to 21 mm**

Features

- Slip-on arrangement for smooth mounting
- Nickel plated for high corrosion resistance

Slip on Hinge - Half Overlay - 4 Hole

Product code	6934
UNSPSC code	31162403SD00085



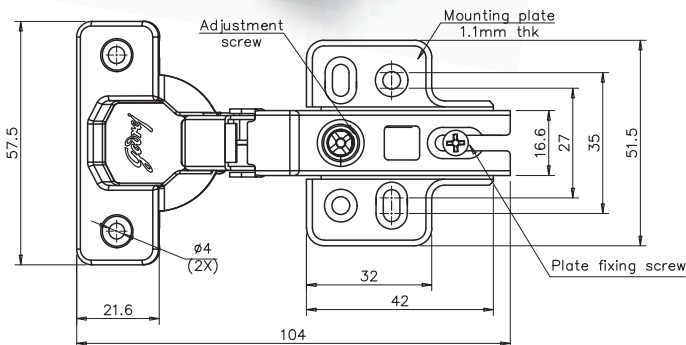
Maximum shutter size for 2 hinges (HxW)	34" x 22"
Maximum opening angle	95 degrees
Diameter of cup	ø35 mm
Hinge cup depth	11.5 mm
Suitable for panel thickness	15 to 22 mm

Features

- Slip-on arrangement for smooth mounting
- Nickel plated for high corrosion resistance

Slip on Hinge - Inset - 4 Hole

Product code	6935
UNSPSC code	31162403SD00086



Maximum shutter size for 2 hinges (HxW)	34" x 22"
Maximum opening angle	95 degrees
Diameter of cup	ø35 mm
Hinge cup depth	11.5 mm
Suitable for panel thickness	15 to 22 mm

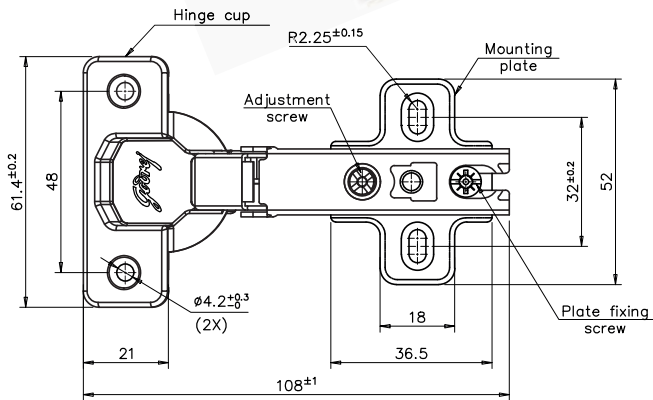
Features

- Slip-on arrangement for smooth mounting
- Nickel plated for high corrosion resistance

Slip On Soft Close 2H Full Overlay

Product code	2223
UNSPSC code	31162403SD00365

Maximum shutter size for 2 hinges (HxW)	34" x 22"
Maximum opening angle	105 degrees
Diameter of cup	ø35 mm
Hinge cup depth	11.8 mm
Suitable for panel thickness	14 to 20 mm



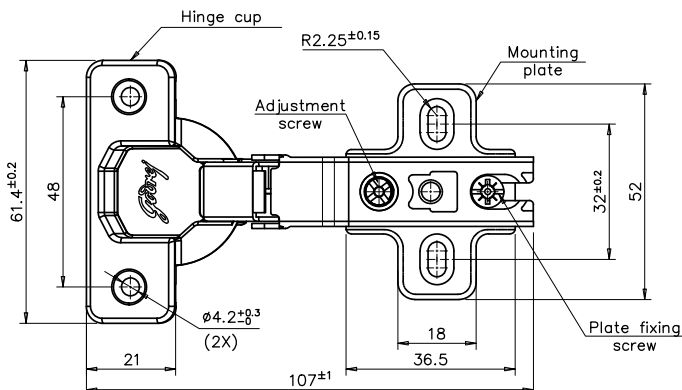
Features

- Tested as per BIFMA Standards
- Easy installation with 2 holes slip-on type of mounting plate.
- Parts made of steel duly nickel plated for superior quality and longer life

Slip On Soft Close 2H Half Overlay

Product code	2224
UNSPSC code	31162403SD00366

Maximum shutter size for 2 hinges (HxW)	34" x 22"
Maximum opening angle	105 degrees
Diameter of cup	ø35 mm
Hinge cup depth	11.8 mm
Suitable for panel thickness	14 to 20 mm



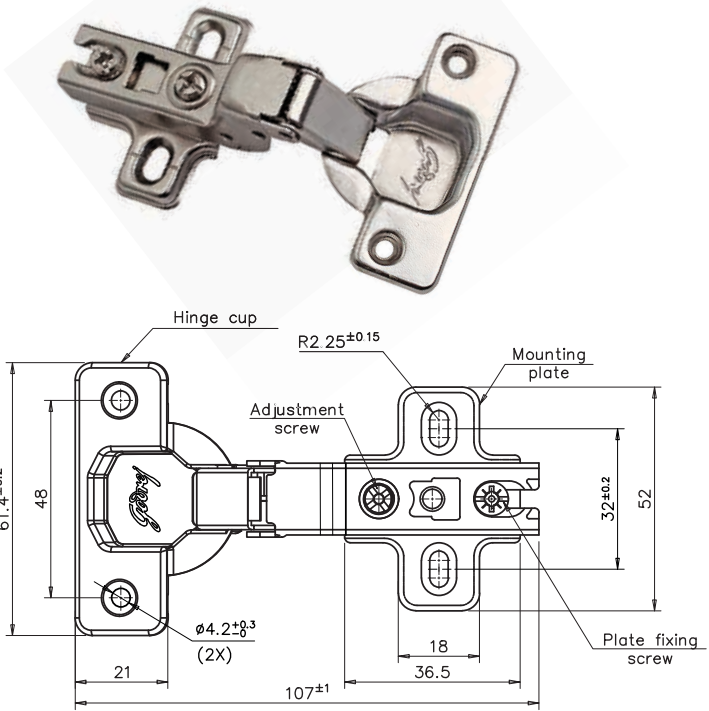
Features

- Tested as per BIFMA Standards
- Easy installation with 2 holes slip-on type of mounting plate.
- Parts made of steel duly nickel plated for superior quality and longer life

Slip On Soft Close 2H Inset

Product code	2225
UNSPSC code	31162403SD00367

Maximum shutter size for 2 hinges (HxW)	34" x 22"
Maximum opening angle	105 degrees
Diameter of cup	ø35 mm
Hinge cup depth	11.8 mm
Suitable for panel thickness	14 to 20 mm



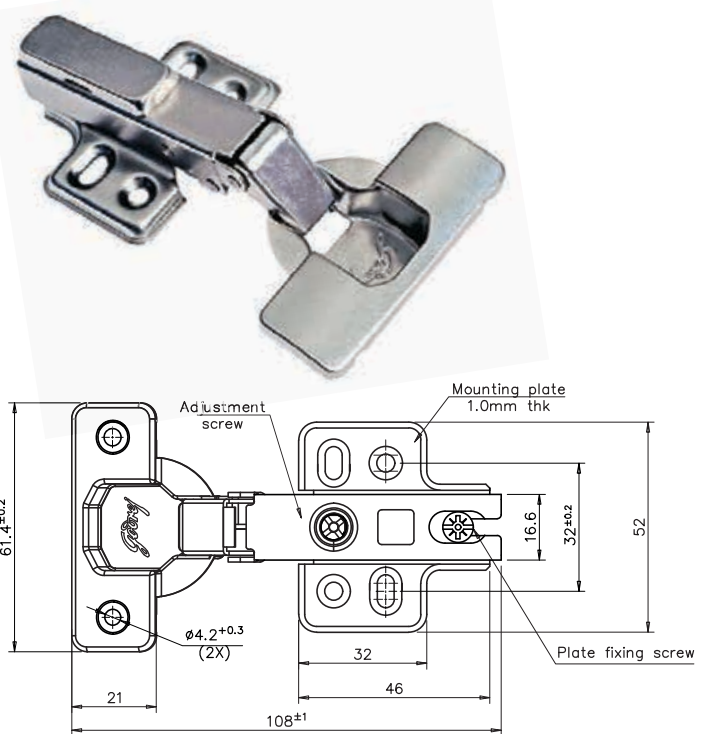
Features

- Tested as per BIFMA Standards
- Easy installation with 2 holes slip-on type of mounting plate.
- Parts made of steel duly nickel plated for superior quality and longer life

Slip On Soft Close 4H Full Overlay

Product code	2226
UNSPSC code	31162403SD00368

Maximum shutter size for 2 hinges (HxW)	34" x 22"
Maximum opening angle	105 degrees
Diameter of cup	ø35 mm
Hinge cup depth	11.8 mm
Suitable for panel thickness	14 to 20 mm



Features

- Tested as per BIFMA Standards
- Easy installation with 4 holes slip-on type of mounting plate.
- Parts made of steel duly nickel plated for superior quality and longer life

Slip On Soft Close 4H Half Overlay

Product code **2227**

UNSPSC code **31162403SD00369**

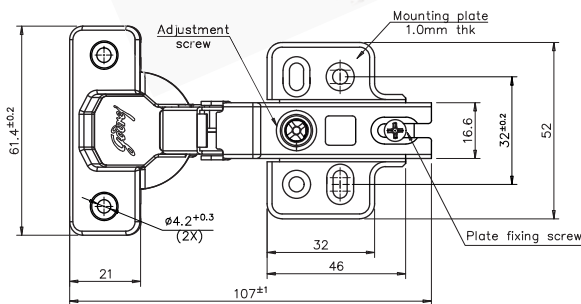
Maximum shutter size for 2 hinges (HxW) **34" x 22"**

Maximum opening angle **105 degrees**

Diameter of cup **ø35 mm**

Hinge cup depth **11.8 mm**

Suitable for panel thickness **14 to 20 mm**



Features

- Tested as per BIFMA Standards
- Easy installation with 4 holes slip-on type of mounting plate.
- Parts made of steel duly nickel plated for superior quality and longer life

Slip On Soft Close 4H Inset

Product code **2228**

UNSPSC code **31162403SD00370**

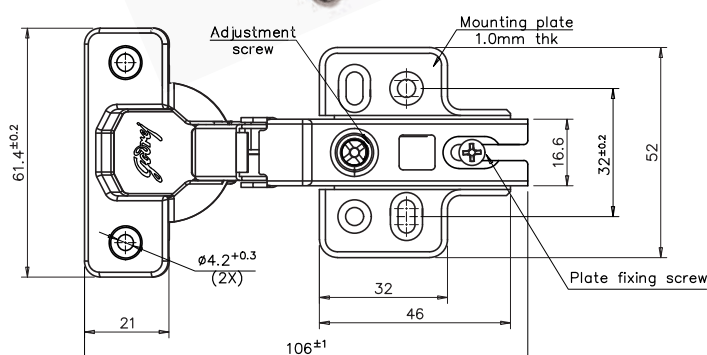
Maximum shutter size for 2 hinges (HxW) **34" x 22"**

Maximum opening angle **105 degrees**

Diameter of cup **ø35 mm**

Hinge cup depth **11.8 mm**

Suitable for panel thickness **14 to 20 mm**



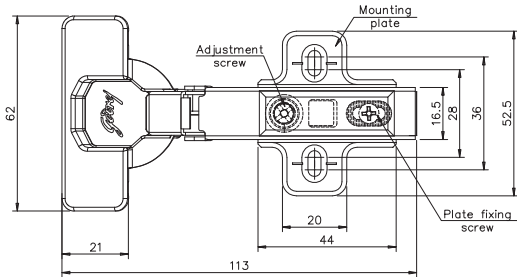
Features

- Tested as per BIFMA Standards
- Easy installation with 4 holes slip-on type of mounting plate.
- Parts made of steel duly nickel plated for superior quality and longer life

Clip-on Cabinet Hinge - Full Overlay

Product code	7216
UNSPSC code	31162403SD00098

Maximum shutter size for 2 hinges (HxW)	34" x 22"
Maximum opening angle	105 degrees
Diameter of cup	ø35 mm
Hinge cup depth	11.5 mm
Suitable for panel thickness	15 to 22 mm



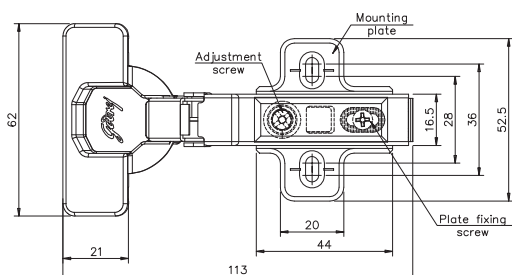
Features

- Clip-on arrangement for ease of mounting
- Nickel plated for high corrosion resistance
- Soft close motion engineered to avoid banging and provide smooth closing
- Cover plate to avoid dust accommodation

Clip-on Cabinet Hinge - Half Overlay

Product code	7217
UNSPSC code	31162403SD00099

Maximum shutter size for 2 hinges (HxW)	34" x 22"
Maximum opening angle	105 degrees
Diameter of cup	ø35 mm
Hinge cup depth	11.5 mm
Suitable for panel thickness	15 to 22 mm

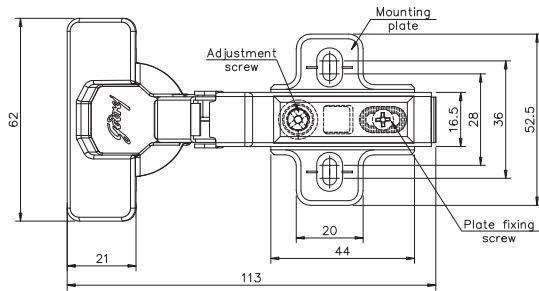


Features

- Clip-on arrangement for ease of mounting
- Nickel plated for high corrosion resistance
- Soft close motion engineered to avoid banging and provide smooth closing
- Cover plate to avoid dust accommodation

Clip-on Cabinet Hinge - Inset

Product code	7218
UNSPSC code	31162403SD00100



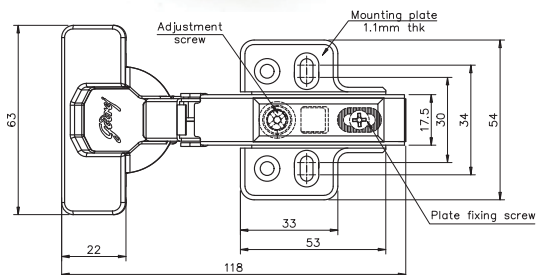
Maximum shutter size for 2 hinges (HxW)	34" x 22"
Maximum opening angle	105 degrees
Diameter of cup	ø35 mm
Hinge cup depth	11.5 mm
Suitable for panel thickness	15 to 22 mm

Features

- Clip-on arrangement for ease of mounting
- Nickel plated for high corrosion resistance
- Soft close motion engineered to avoid banging and provide smooth closing
- Cover plate to avoid dust accommodation

Clip on Soft hinge 4 hole - Full Overlay

Product code	4788
UNSPSC code	31162403SD00207



Maximum shutter size for 2 hinges (HxW)	34" x 22"
Maximum opening angle	95 degrees
Diameter of cup	ø35 mm
Hinge cup depth	11.5 mm
Suitable for panel thickness	16 to 20 mm

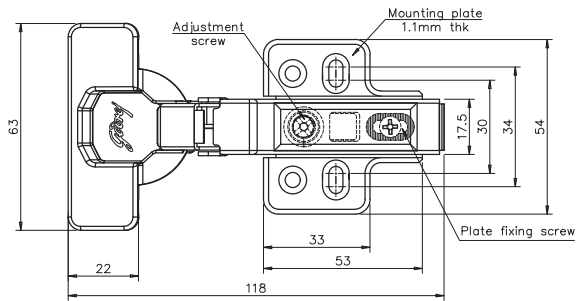
Features

- Clip-on arrangement for ease of mounting
- Nickel plated for high corrosion resistance
- Soft close motion engineered to avoid banging and provide smooth closing
- Cover plate to avoid dust accommodation

Clip on Soft hinge 4 hole - Half Overlay

Product code	4789
UNSPSC code	31162403SD00208

Maximum shutter size for 2 hinges (HxW)	34" x 22"
Maximum opening angle	95 degrees
Diameter of cup	ø35 mm
Hinge cup depth	11.5 mm
Suitable for panel thickness	16 to 20 mm



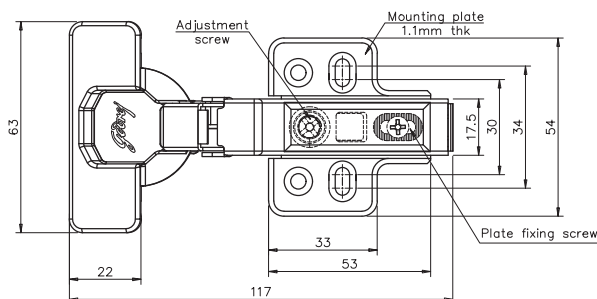
Features

- Clip-on arrangement for ease of mounting
- Nickel plated for high corrosion resistance
- Soft close motion engineered to avoid banging and provide smooth closing
- Cover plate to avoid dust accommodation

Clip on Soft hinge 4 hole - Inset

Product code	4790
UNSPSC code	31162403SD00209

Maximum shutter size for 2 hinges (HxW)	34" x 22"
Maximum opening angle	95 degrees
Diameter of cup	ø35 mm
Hinge cup depth	11.5 mm
Suitable for panel thickness	16 to 20 mm



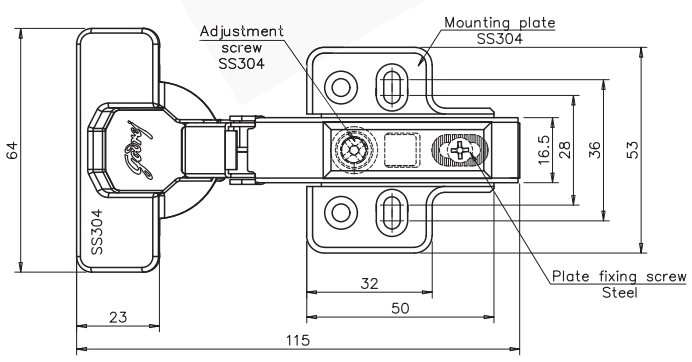
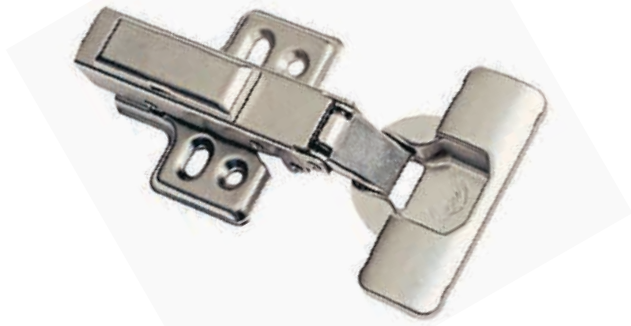
Features

- Clip-on arrangement for ease of mounting
- Nickel plated for high corrosion resistance
- Soft close motion engineered to avoid banging and provide smooth closing
- Cover plate to avoid dust accommodation

Clip on SS 304 Soft Hinge 4 hole - Full Overlay

Product code	5069
UNSPSC code	31162403SD00161

Maximum shutter size for 2 hinges (HxW)	34" x 22"
Maximum opening angle	100 degrees
Diameter of cup	ø35 mm
Hinge cup depth	11.5 mm
Suitable for panel thickness	15 to 22 mm



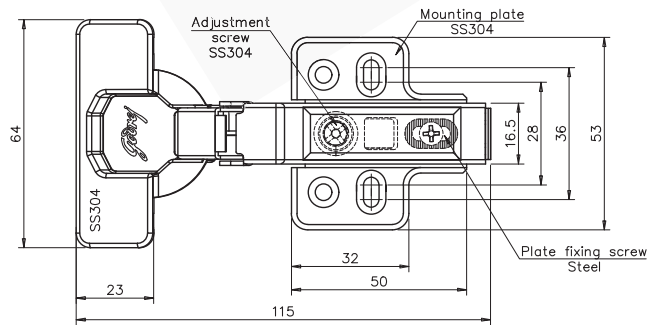
Features

- Clip-on arrangement for ease of mounting
- Nickel plated for high corrosion resistance
- Soft close motion engineered to avoid banging and provide smooth closing
- Cover plate to avoid dust accommodation

Clip on SS 304 Soft Hinge 4 hole - Half Overlay

Product code	5070
UNSPSC code	31162403SD00162

Maximum shutter size for 2 hinges (HxW)	34" x 22"
Maximum opening angle	100 degrees
Diameter of cup	ø35 mm
Hinge cup depth	11.5 mm
Suitable for panel thickness	15 to 22 mm



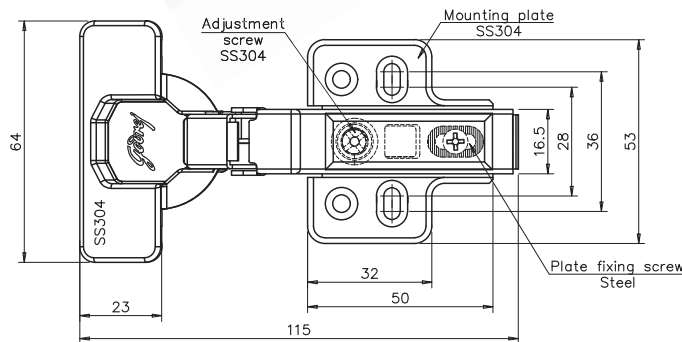
Features

- Clip-on arrangement for ease of mounting
- Nickel plated for high corrosion resistance
- Soft close motion engineered to avoid banging and provide smooth closing
- Cover plate to avoid dust accommodation

Clip on SS 304 Soft Hinge 4 hole – Inset

Product code	5071
UNSPSC code	31162403SD00163

Maximum shutter size for 2 hinges (HxW)	34" x 22"
Maximum opening angle	100 degrees
Diameter of cup	ø35 mm
Hinge cup depth	11.5 mm
Suitable for panel thickness	15 to 22 mm



Features

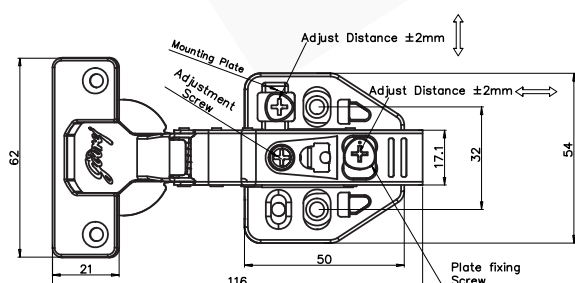
- Clip-on arrangement for ease of mounting
- Nickel plated for high corrosion resistance
- Soft close motion engineered to avoid banging and provide smooth closing
- Cover plate to avoid dust accommodation

34 in x 22 in

3D Cabinet Hinge Soft Close 4H - Full Overlay

Product code	2506
UNSPSC code	31162403SD00092

Maximum shutter size for 2 hinges (HxW)	34" x 22"
Maximum opening angle	98 degrees
Diameter of cup	ø35 mm
Hinge cup depth	12 mm
Suitable for panel thickness	16 to 22 mm



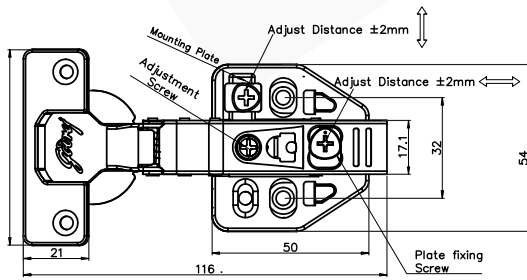
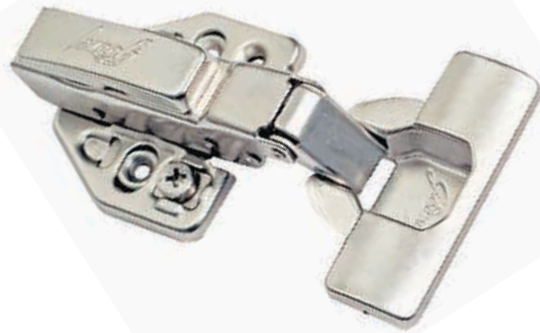
Features

- Special feature of 3rd Dimensional adjustment
- Ease of installation with clip-on type mounting plate
- Tested as per BIFMA standard
- Cover cap to avoid dust accommodation
- Nickel plated for high corrosion resistance

3D Cabinet Hinge Soft Close 4H - Half Overlay

Product code **2507**

UNSPSC code **31162403SD00092**



Maximum shutter size for 2 hinges (HxW)	34" x 22"
Maximum opening angle	98 degrees
Diameter of cup	ø35 mm
Hinge cup depth	12 mm
Suitable for panel thickness	16 to 22 mm

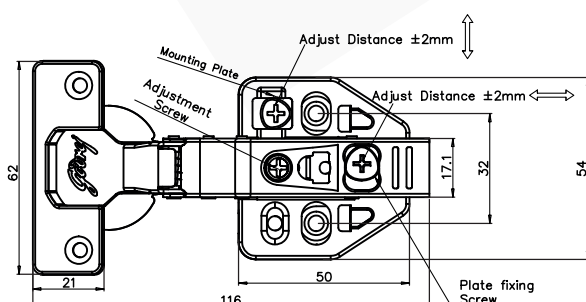
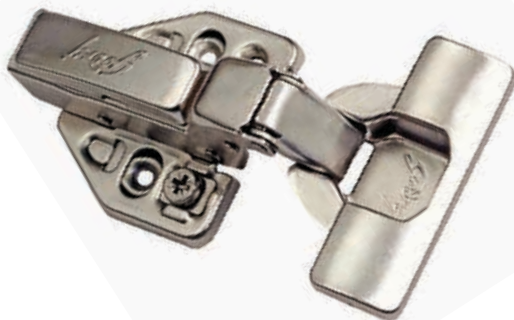
Features

- Special feature of 3rd Dimensional adjustment
- Ease of installation with clip-on type mounting plate
- Tested as per BIFMA standard
- Cover cap to avoid dust accommodation
- Nickel plated for high corrosion resistance

3D Cabinet Hinge Soft Close 4H - Inset

Product code **2508**

UNSPSC code **31162403SD00092**



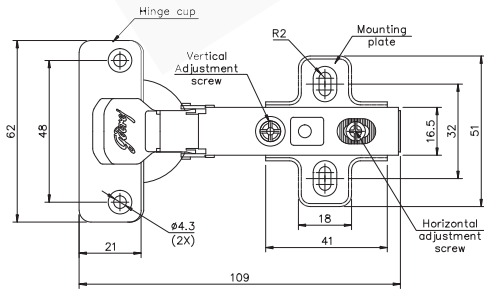
Maximum shutter size for 2 hinges (HxW)	34" x 22"
Maximum opening angle	98 degrees
Diameter of cup	ø35 mm
Hinge cup depth	12 mm
Suitable for panel thickness	16 to 22 mm

Features

- Special feature of 3rd Dimensional adjustment
- Ease of installation with clip-on type mounting plate
- Tested as per BIFMA standard
- Cover cap to avoid dust accommodation
- Nickel plated for high corrosion resistance

Clip-on Hinge Full Overlay - Regular

Product code	7098
UNSPSC code	31162403SD00091



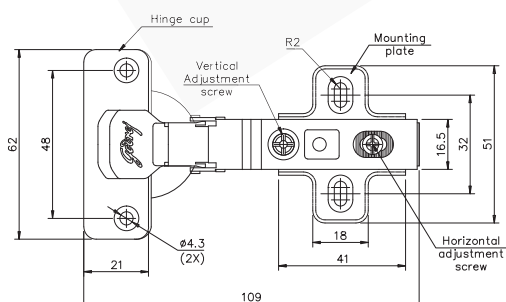
Maximum shutter size for 2 hinges (HxW)	34" x 22"
Maximum opening angle	105 degrees
Diameter of cup	$\phi 35$ mm
Hinge cup depth	11.5 mm
Suitable for panel thickness	15 to 22 mm

Features

- Clip-on mechanism for easy installation and removal of shutters
- Provides ease in maintenance of cabinet
- Wide opening angle for easy storage in cabinet
- Covers provided to avoid dust
- Nickel plated for corrosion resistance

Clip-on Hinge Half Overlay - Regular

Product code	7099
UNSPSC code	31162403SD00092



Maximum shutter size for 2 hinges (HxW)	34" x 22"
Maximum opening angle	105 degrees
Diameter of cup	$\phi 35$ mm
Hinge cup depth	11.5 mm
Suitable for panel thickness	15 to 22 mm

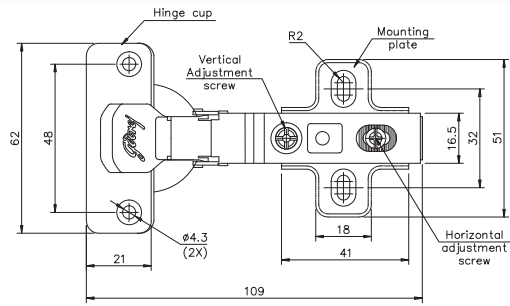
Features

- Clip-on mechanism for easy installation and removal of shutters
- Provides ease in maintenance of cabinet
- Wide opening angle for easy storage in cabinet
- Covers provided to avoid dust
- Nickel plated for corrosion resistance

Clip-on Hinge Inset - Regular

Product code **7100**

UNSPSC code **31162403SD00093**



Maximum shutter size for 2 hinges (HxW)	34" x 22"
Maximum opening angle	105 degrees
Diameter of cup	ø35 mm
Hinge cup depth	11.5 mm
Suitable for panel thickness	15 to 22 mm

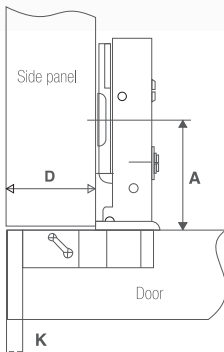
Features

- Clip-on mechanism for easy installation and removal of shutters
- Provides ease in maintenance of cabinet
- Wide opening angle for easy storage in cabinet
- Covers provided to avoid dust
- Nickel plated for corrosion resistance

Thick Door Hinge Full Overlay - Regular

Product code **7095**

UNSPSC code **31162403SD00088**



Maximum shutter size for 2 hinges (HxW)	34" x 22"
Maximum opening angle	95 degrees
Diameter of cup	ø40 mm
Hinge cup depth	13.5 mm
Suitable for panel thickness	18 to 32 mm

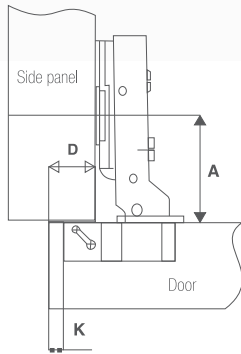
Features

- Suitable for thick panels
- Wide opening angle for easy storage in cabinet
- Nickel plated for corrosion resistance

Thick Door Hinge Half Overlay - Regular

Product code **7096**

UNSPSC code **31162403SD00089**



Maximum shutter size for 2 hinges (HxW)	34" x 22"
Maximum opening angle	95 degrees
Diameter of cup	ø40 mm
Hinge cup depth	13.5 mm
Suitable for panel thickness	18 to 32 mm

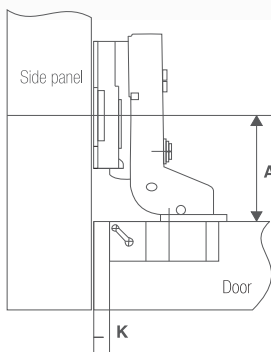
Features

- Suitable for thick panels
- Wide opening angle for easy storage in cabinet
- Nickel plated for corrosion resistance

Thick Door Hinge Inset - Regular

Product code **7097**

UNSPSC code **31162403SD00090**



Maximum shutter size for 2 hinges (HxW)	34" x 22"
Maximum opening angle	95 degrees
Diameter of cup	ø40 mm
Hinge cup depth	13.5 mm
Suitable for panel thickness	18 to 32 mm

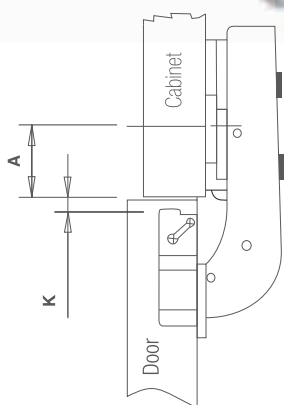
Features

- Suitable for thick panels
- Wide opening angle for easy storage in cabinet
- Nickel plated for corrosion resistance

Blind Corner Hinge - Soft

Product code **7091**

UNSPSC code **31162403SD00097**



Maximum shutter size for 2 hinges (HxW)	34" x 22"
Maximum opening angle	90 degrees
Diameter of cup	ø35 mm
Hinge cup depth	11.5 mm
Suitable for panel thickness	15 to 22 mm

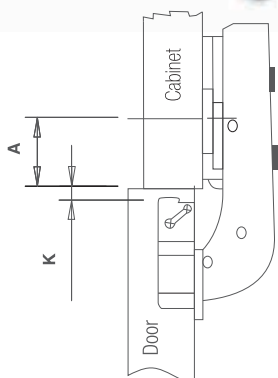
Features

- Suitable for panels having blind corners
- Specially designed cylinder for smooth closing of shutters
- Wide opening angle for easy storage in cabinet
- Nickel plated for corrosion resistance

Blind Corner Hinge - Regular

Product code **7092**

UNSPSC code **31162403SD00087**



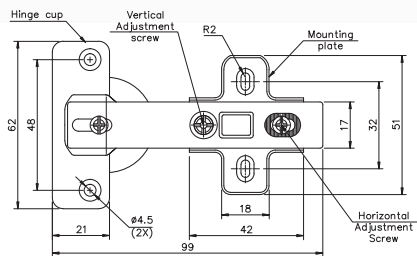
Maximum shutter size for 2 hinges (HxW)	34" x 22"
Maximum opening angle	90 degrees
Diameter of cup	ø35 mm
Hinge cup depth	11.5 mm
Suitable for panel thickness	15 to 22 mm

Features

- Suitable for panels having blind corners
- Wide opening angle for easy storage in cabinet
- Nickel plated for corrosion resistance

Bi-fold Cabinet hinge

Product code	6840
UNSPSC code	31162403SD00082



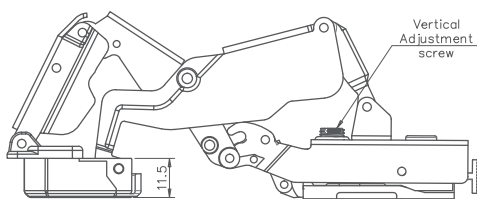
Maximum shutter size for 2 hinges (HxW)	34" x 22"
Maximum opening angle	90 degrees
Diameter of cup	ø35 mm
Hinge cup depth	11.5 mm
Suitable for panel thickness	15 to 24 mm

Features

- BIFMA certified cabinet hinges.
- Ease of installation with clip-on type mounting plate
- Nickel plated for high corrosion resistance
- Hinge cup depth of 11.5mm
- Diameter of cup 35mm
- Maximum shutter size of 34"X22" for 2 hinge

Cabinet hinge 165 degree (Pi corner)

Product code	6841
UNSPSC code	31162403SD00083



Maximum shutter size for 2 hinges (HxW)	34" x 22"
Maximum opening angle	165 degrees
Diameter of cup	ø35 mm
Hinge cup depth	11.5 mm
Suitable for panel thickness	15 to 24 mm

Features

- Ease of installation with clip-on type mounting plate
- Nickel plated for high corrosion resistance
- Maximum opening angle of 165 degree
- Hinge cup depth of 11.5mm
- Diameter of cup 35mm
- Maximum shutter size of 34"X22" for 2 hinges

Drawer Channel Zinc Plated 10"

Product code **8173**

UNSPSC code **30161808SD00005**



Features

- Uniformly distributed load bearing capacity of 45 kg
- Made of C.R.C.A. sheet metal - ensures long lasting durability and high load bearing capacity
- Zinc plated for good corrosion protection
- Steel chrome plated ball bearing for frictionless & smooth operation
- Detachable inner slides - easy to remove and reinsert the drawer
- Full extension - wide travel length enabling opening of the drawer to full length
- Hold-in detent enables the drawer to be held closed without letting it slide open automatically
- Positive-stop ensures that the drawer doesn't topple once opened to full length

Also available in

12", 14", 16", 18", 20", 22" & 24"

Product code:

8174, 8175, 8176, 8177, 8178, 8179 & 8180

UNSPSC code:

30161808SD00008

30161808SD00007

30161808SD00006

30161808SD00002

UNSPSC code:

30161808SD00001

30161808SD00004

30161808SD00003

Drawer Channel Black Powder Coated 10"

Product code **7831**

UNSPSC code **30161808SD00016**



Features

- Uniformly distributed load bearing capacity of 45 kg
- Made of C.R.C.A. sheet metal - ensures long lasting durability and high load bearing capacity
- Powder coated - black colour ensures good visual effect and long term corrosion protection
- Steel chrome plated ball bearing for frictionless & smooth operation
- Detachable inner slides - easy to remove and reinsert the drawer
- Full extension - wide travel length enabling opening of the drawer to full length
- Hold-in detent enables the drawer to be held closed without letting it slide open automatically
- Positive-stop ensures that the drawer doesn't topple once opened to full length

Also available in

12", 14", 16", 18", 20", 22" & 24"

Product code:

7832, 7833, 7834, 7835, 7836, 7837 & 7838

UNSPSC code:

30161808SD00015

30161808SD00014

30161808SD00013

30161808SD00012

UNSPSC code:

30161808SD00009

30161808SD00011

30161808SD00010

Soft Closing Drawer Channel 300 (12")

Product code **7083**

UNSPSC code **30161808SD00021**



Also available in
14", 16", 18", 20", 22" & 24"

Product code:
7084, 7085, 7086, 7087, 7088 & 7089

UNSPSC code:	UNSPSC code:
30161808SD00022	30161808SD00025
30161808SD00023	30161808SD00026
30161808SD00024	30161808SD00027

Features

- Precision mechanism for smooth operation
- Special anti rebound function
- Load bearing capacity up to 35 kg
- Latch for easy removal of drawer
- Zinc plated for better corrosion resistance

Heavy Duty Drawer Channel 450 mm (18")

Product code **6901**

UNSPSC code **30161808SD00104**



Also available in
20", 22", 24", 26", 28", 30", 32" & 36"

Product code:
6902, 6903, 6904, 6905, 6906, 6907, 6908 & 6998

UNSPSC code:	UNSPSC code:
30161808SD00105	30161808SD00029
30161808SD00110	30161808SD00030
30161808SD00106	30161808SD00031
30161808SD00028	30161808SD00032

Features

- Heavy duty application
- Load bearing capacity up to 125 kg
- Full extension of drawer for ease in storage
- Latch for easy removal of drawer
- Zinc plated for better corrosion resistance

Door Control Devices

The Need:

Gone are the days when door closers and floor springs served only the purpose of closing the door automatically. Today, with commercial as well as residential establishments being equipped with hi-tech facilities, the requirements for door closing devices have also changed.

Now, door closing devices are expected to become an integral part of such hi-tech facilities within the establishments and perform to the level sufficing needs such as:

Security - To ensure the door is closed, especially if the door has a latch on it, then it is very important that the door closing device closes the latch and shuts the door completely, keeping the section secure.

Privacy - The door closing device must ensure the privacy of different sections within a building by separating them with accurate closing of the door.

Fire & Smoke Check - As per the safety norms in the new establishments that are being developed, usage of fire rated doors and accessories are specified, which requires the installation of the specialist door control device that is also fire rated and serves the purpose.

Energy Saving - Last but not least, is the demand of the day i.e., Energy Saving. The equation of enjoying comfort and energy saving can be easily balanced by using a suitable door control device. It helps to reduce the running cost, thus ensuring maximum cooling at minimum expense. Not just that, this low-electricity consumption also helps India to save fuel.

All these factors have changed the simple "door closing device" of yesterday to a "door control device" in today's world. Godrej Locking Solutions and Systems presents a complete Door Control range that includes products to suit different requirements.

The products have been designed taking all the above-mentioned factors into consideration and include various features such as back check, delayed closing, speed adjustments, fire rating and many more.

Guidelines for Selection of the Correct Door Control Device

When a huge range of products with different features and functions is available, the decision to select the right product for a specific application becomes difficult. Understanding the site requirement and selecting the right product for the right application is a crucial decision which ensures trouble-free lifelong performance of the product, thus reducing the maintenance cost.

The basic parameters considered for selecting the right door control device are:

- Location of the project (air pressure)
- Frequency of use of door (life span)
- Material of door (wood or metal)
- Functions required for the door
- Dimensions of the door (height, width & weight)
- Closing moment required

We suggest a few steps to help you select the right product, and a formula for calculating the closing moment necessary to close the door against a known air pressure:

$$Cm = \frac{P.A.w.}{2}$$

$$\text{Closing moment (Nm)} = \frac{\text{Air Pressure (Pascal or N/m}^2\text{)} \times \text{Area of Door (m}^2\text{)} \times \frac{1}{2} \text{ of width of door (m)}}{2}$$

E.g.: Door Width = 900 mm (0.9 m)
 Door Height = 2050 mm (2.05 m)
 Air Pressure = 30 Pa

$$Cm = \frac{30 \times (0.9 \times 2.05) \times 0.9}{2} = 24.9 \text{ Nm}$$

Guidelines for selecting a Door Control Device:

Door Closer Power Size	Ref. Door Leaf width mm Max.	Test Door mss kg	Closing moment			At any angle of opening Nm min.	Opening moment between 0 & 60 Nm max.	Closer efficiency between 0 & 4 % min.
			Between 0 & 4		Between 88 & 92			
			Nm min.	Nm max.				
1	<750	20	9	<13	3	2	26	50
2	850	40	13	<18	4	3	36	50
3	950	60	18	<26	6	4	47	55
4	1100	80	26	<37	9	6	62	60
5	1250	100	37	<54	12	8	83	65
6	1400	120	54	<87	18	11	134	65
7	1600	160	87	<140	29	18	215	65

N.B. Where the actual size and mass of the door to which the door closer is to be fitted relates to two sizes of door closer, the larger power size of door closer should be used. The door widths given are for standard installations. In the case of unusually high or heavy doors, windy or draughty conditions, or special installations, a large power size of door closer should be used.

Selection of door closers also depends on the 'weight' and 'type' of door to be installed. Weight can be calculated using this simple formula:

For Wooden Doors Weight = Height (metres) x Width (metres) x Thickness (metres) x 700 (kg/m³)*

For Glass Doors Weight = Height (metres) x Width (metres) x Thickness (metres) x 2500 (kg/m³)*

* where 700 (kg/m³) & 2500 (kg/m³) are the specific gravity of wood and glass, respectively.

Basic Terminologies

Fire Rated:

All the external and internal components as well as fluids like oil inside the door closer are tested to withstand fire for a particular time period.

Closing Moment:

The torque generated by a door closing device which acts upon the door leaf during the closing operation.

Power Size:

A measure of closing moment exerted by a door closer.

Adjustable Latching Speed:

A speed control operable only during the last few degrees of door closing.

Adjustable Closing Moment:

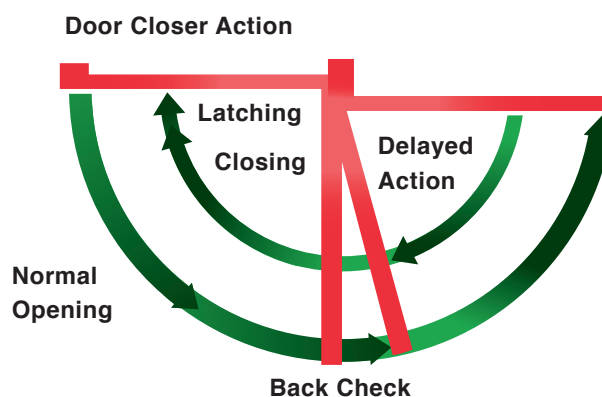
An inbuilt function that allows the closing moment of a door closer to be adjusted over a range of power sizes.

Back Check:

An inbuilt buffer that helps to prevent a door leaf being flung wide open by providing an adjustable cushioning effect when the door is thrown open.

Delayed Action:

An inbuilt function that allows the door closing device to be retarded for an adjustable period of time before resuming controlled closing, allowing disabled, elderly people or long trolleys and stretchers to pass through the door unhindered.



Standards & Approvals

We have certificates for the following standards & accreditations:

- TUV
- Products are tested to certificate of conformity:

1] DIN EN 12209 : 2003

Europrofile Mortise Sashlock
(Centre Distance 72 mm, Backset 60 mm)

Classification:

3	X	8	1*	0	F	3	B	A	2	0
---	---	---	----	---	---	---	---	---	---	---

*For use on Fire/Smoke Doors

2] DIN EN 12320: 2001- 05

3 KS dfENdr Padlock

Classification:

X	X	X	X	X	2	4
---	---	---	---	---	---	---

3] EN 1154 : 1996 + A1 : 2002

Door Closer C680

Classification:

3	8	4 2	1	1	4
---	---	--------	---	---	---

4] UL 228 : Heavy Duty Door Closer

- Commendation Certificate for Significant Achievement on the Journey towards Business Excellence, awarded by CII Exim Bank Business Excellence Award Jury



ANSI

CE



ARCHITECTURAL FITTINGS AND SYSTEMS

SMART ENGINEERING FOR MODERN LIVING.

New Delhi	:	+91 - 11 - 6650 7320 / 24 - 26
Chandigarh	:	+91 - 172 - 501 6644
Lucknow	:	+91 - 522 - 426 5793 / 91
Jaipur	:	+91 - 141 - 670 1425 / 421 - 422
Kolkata	:	+91 - 22 - 6601 3751 / 52/ 53 / 6601 3500 (Board line)
Guwahati	:	+91 - 361 - 611 0741 / 611 0743
Bhubaneswar	:	+91 - 674 - 237 4600 / 644 / 649
Patna	:	+91 - 612 - 660 6100
Ranchi	:	+91 - 651 - 6603981 /84 / 02 / 03
Pune	:	+91 - 20 - 66255101 / 5000
Mumbai	:	+91 - 22 - 6796 1271 / 74
Ahmedabad	:	+91 - 79 - 6606 0666 / 690 / 611
Bhopal	:	+91 - 755 - 4089410 / 11/12/ 0755 - 4089555
Raipur	:	+91 - 771 - 660 6606 / 799
Chennai	:	+91 - 44 - 6654 4417
Hyderabad	:	+91 - 40 - 6643 1040 / 1150 / 1152
Bengaluru	:	+91 - 80 - 6647 2000 / 351-352 / 484
Kochi	:	+91 - 484 - 661 2600
Coimbatore	:	+91 - 70 9448 8363

Godrej & Boyce Mfg. Co. Ltd.

Godrej Locks & Architectural Fittings and Systems Division, Plant 18 A, Pirojshanagar, Vikhroli (E), Mumbai - 400 079. India

Tel: +91-22-6116 3100 | Toll Free No.: 1800 209 4543 | Website: www.godrej.com | Email: locksmkt@godrej.com

GodrejLocks | @godrejlocks | GodrejLocksS

Disclaimer: The information and visuals of the products shown here are subject to change and Godrej reserves the right to make such amendments without notice.